

POOL COVER SPECIALISTS®

Check One:

- Infinity 4000™**
- mini-Infinity™**

Automatic Swimming Pool Cover Owner's Manual

Your pool cover has been installed with features
checked below

- Hydraulic power
- 120VAC power
- 220VAC power
- Standard key
- Touch pad
- Wireless touch pad

Date installed _____ Installed by: _____

INDEX

Letter to Owner	3
Warning / Drowning Risk	4
Danger / Electrical Safety	5
ASTM Safety Standard	6
Pool Safety Tips.....	7
Learn CPR	9
Pool Cover Component Names.....	10
Cover Operation	11
Water Removal and Pool Cover Pump Placement	12
Maintenance and Care	14
Recommended Annual Maintenance	17
Pool Cover and Water Chemistry.....	18
Commonly Asked Questions.....	21
Troubleshooting	22
Emergency Closing and Opening of the Cover	24
Manually Opening an Infinity 4000™ Automatic Swimming Pool Cover..	25
Infinity 4000™ Motor End Assembly Exploded View	26
Infinity 4000™ Opposite End Assembly Exploded View.....	27
mini-Infinity™ Motor and Opposite End Assembly Exploded View....	28
Important Warranty Information.....	29
Owner Survey and Warranty Registration.....	30
Certifications, Listings and Regulator Compliance	32

Dear Pool Cover Owner:

Congratulations on the purchase of your new Infinity 4000™ or mini-Infinity™ Automatic Swimming Pool Cover.

We, at Pool Cover Specialists, are committed to helping you create a safer swimming environment and bringing the peace of mind that comes from knowing your pool is secure. The products you have purchased are the compilation of over 30 years of design and experience dedicated to making our products the longest-lasting and safest Automatic Swimming Pool Covers available.

In spite of growing awareness in pool safety, drowning still ranks among the leading causes of death for young children. Consequently, we wish to stress the following precautions:

- o Layers of protection are strongly recommended; like fences, self-locking gates, alarms and cameras, etc. Your new safety pool cover is an excellent layer of protection.
- o There is no substitute for constant adult supervision. Most drownings happen during a five-minute-or-less lapse in supervision.
- o Do not consider young children “water safe” just because they have had swimming lessons.
- o Instruct babysitters and others about potential backyard hazards.
- o Install a telephone poolside with emergency numbers and location address posted in case of an accident.
- o Always completely open your pool cover before bathers enter the water to prevent possible entrapment.

These are just a few precautions and suggestions. Please take a few moments to read the owner’s manual as it contains important safety, operational and care information about your pool cover.

From all of us at Pool Cover Specialist, thank you and enjoy your pool and pool cover.

Be Safe, Be Wise, Swim Safely!

Best regards,



Bruce Grogg
CEO/President
Pool Cover Specialists



 **WARNING**

 **DANGER**

**AVOID DROWNING RISK
READ AND FOLLOW ALL INSTRUCTIONS**

IMPORTANT SAFETY INSTRUCTIONS

- FAILURE TO FOLLOW ALL INSTRUCTIONS MAY RESULT IN INJURY OR DROWNING.
- WARNING -- TO REDUCE THE RISK OF INJURY, DO NOT PERMIT CHILDREN TO OPERATE OR USE THIS PRODUCT.
- TO REDUCE DROWNING RISK, REMOVE STANDING WATER FROM TOP OF POOL COVER. CHILD CAN DROWN ON TOP OF POOL COVER.
- REMOVE POOL COVER(S) COMPLETELY BEFORE ENTRY OF BATHERS -- ENTRAPMENT POSSIBLE.
- NON-SECURED OR IMPROPERLY SECURED POOLCOVERS ARE A HAZARD.
- DO NOT WALK ON POOL COVER EXCEPT IN AN EMERGENCY.
- POOL COVER MAY BECOME SLIPPERY WHEN WET.
- INSPECT POOL COVER PERIODICALLY FOR WEAR (SEE PRINTED INSTRUCTIONS).

SAVE THESE INSTRUCTIONS

FOR FURTHER INFORMATION CONTACT:
Pool Cover Specialists National, Inc.

1-800-369-5152

DANGER

READ AND FOLLOW ALL INSTRUCTIONS

IMPORTANT ELECTRICAL SAFETY INSTRUCTIONS

When installing and using this electrical equipment, basic safety precautions should always be followed, including the following:

- A WIRE CONNECTOR IS PROVIDED ON THIS UNIT TO CONNECT A MINIMUM #8 A.W.G. (8.4mm) SOLID COPPER CONDUCTOR BETWEEN THIS UNIT AND THE BONDING GRID AND IS REQUIRE BY CODE.
- IF THE MECHANISM HOUSING HAS BEEN FLOODED OR ANY OF THE ELECTRICAL CONNECTIONS HAVE BEEN COMPROMISED (I.E. BARE WIRES), DO NOT OPERATE THE SYSTEM OR GO NEAR THE POOL UNTIL A QUALIFIED ELECTRICIAN HAS MADE REPAIRS AND DETERMINED THAT THE RISK OF ELECTRICAL SHOCK HAS BEEN ELIMINATED.
- ASTM SAFETY REQUIREMENTS MANDATE THAT THE SECURE SWITCH THAT OPERATES THE SAFETY COVER BE IN FULL VIEW OF THE POOL.
- GROUND FAULT CIRCUIT INTERRUPTER: A 20 AMP DEDICATED GFCI MUST BE PROVIDED IN THE ELECTRICAL SUPPLY LINE FOR THE MOTOR.
- POOL COVER PUMP MUST BE PLUGGED INTO A GFCI OUTLET. READ AND FOLLOW ALL PUMP MANUFACTURER'S INSTRUCTIONS.

SAVE THESE INSTRUCTIONS

FOR FURTHER INFORMATION CONTACT:
Pool Cover Specialists National, Inc.

1-800-369-5152



ASTM F1346-91(2010) Safety Standard

The American Society for Testing Materials established recommendations for Powered and Manual Safety Pool Covers in 1991. These recommendations were reviewed and updated in 2010 and is now referred to as the ASTM F1346-91(10) standard. All Pool Cover Specialists pool and spa covers have been tested in accordance with this standard and meet or exceed all requirements when installed and maintained according to Pool Cover Specialists instructions.

Main provisions of the standard are:

- The pool cover system must be labeled with multiple WARNING labels. (Replacement labels are available free of charge from your installer dealer or from Pool Cover Specialists if your labels should become illegible.)
- The pool cover system must support the weight of two adults and a child (485 lbs.) in case of an emergency.
- The pool cover must be operated from a fixed position where the entire surface of the pool can be viewed during operation.
- The switch must be a momentary controller mounted at least 5 feet above the deck or a locking switch mounted in an inaccessible location in accordance with local electrical code.
- An object 3.70 (approximately 3 5/8) inches in diameter shall not be able to slide under the pool cover.
- An automatic water discharging system (self-starting pool cover pump) must be used whenever the pool cover is closed. The pump must be placed on the pool cover at all times so rain or other water sources can be removed within 30 minutes of water source discontinuing.

Please check your installation and confirm that these standards have been met. If any of these standards have not been met, i.e. the pool cover pump is not present and on the pool cover, then by definition your pool cover is not a safety pool cover.

POOL SAFETY TIPS

**Thank you for purchasing a Pool Cover Specialist
Automatic Swimming Pool Cover.**

**We make every effort to provide you with the safest products
available, and also stress the following preventative safety tips:**

A swimming pool can provide your family and friends with an oasis of tranquility, hours of entertainment and healthy recreation. To maintain that tranquility be aware that as a pool owner you must ensure the safety of your pool area. There is a risk of a child drowning whenever children are around any body of water.

There is no substitute for constant adult supervision when children are around a pool. Most drownings occur with a lapse in supervision of five minutes or less. By providing layers of protection between children and the pool, you can avoid a tragic accident when you are not there.

Supervision

- o Never swim alone.
- o Practice “Active Supervision” when young children are in and around the pool; keep them within arms reach and maintain eye contact. Always supervise children of all ages.
- o Don’t consider a child “water-safe” just because they have had swimming lessons.
- o Never leave a child alone in or around the water.
- o Keep toys away from the pool when not in use; they can lure a child into the pool and pool area.
- o Use inflatable toys only under adult supervision; they may deflate or your child may slip off into the pool.
- o Post and enforce pool rules such as: No Running, No Pushing, No Dunking and Never Swim Alone.
- o Instruct babysitters, caregivers and neighbors of pool area hazards to young children in and around swimming pools and the need for constant supervision.
- o Alert your pool maintenance personnel, utility personnel, and your neighbors to keep pool covers, gates and doors to pool closed and locked at all times.
- o Never use a pool with its pool cover partially in place; bathers may become trapped under the pool cover.
- o Consider having responsible persons take turns and be the “Lifeguard on Duty” during gatherings around the pool or pool party. During their turn they place 100 percent attention on watching the pool.



- 
- o Beware of free-floating pool covers; a child can slip beneath unnoticed.

Layers of protection

- o Don't rely on a single layer of protection; multiple safety precautions provide the strongest safeguards.
- o Enclose the pool with an isolation barrier such as an ASTM Certified Automatic Swimming Pool Cover and full perimeter fence with self-closing and locking gates.
- o Place table and chairs well away from the pool fence to prevent children from climbing into the pool area.
- o Keep all doors and windows secure leading from the house to the pool area. Install self-closing mechanisms on doors.
- o Additional layers may include: a WatchDog Security Camera, pool water alarms, and alarms on the door to the pool.
- o Check to ensure that spa and pool covers pass minimum safety requirements set by the American Society of Testing Materials.
- o Be aware that a child can drown in as little as two inches of water. Place pool cover pump on the pool cover before water has a chance to accumulate. Drain standing water off your spa or pool cover immediately.
- o Remove ladders and steps from above-ground pools. No objects should be in the pool area for a child to climb onto and then into the water.
- o Inspect safety and pool equipment regularly. Preventive devices are only effective if they are in working order.

Preparedness

- o Learn CPR (Cardiopulmonary Resuscitation) and first aid. Have all caretakers and responsible individuals learn CPR and first aid.
- o Have a first aid kit ready and available in the pool area.
- o Post emergency numbers and the pool address in the pool area.
- o Install a telephone, or have one available, at poolside with emergency numbers and the pool address posted.
- o Make sure you have rescue devices accessible at the poolside; like a shepherds hook and life ring with the rope attached.
- o Know where the electrical shutoff to your pool equipment and pool cover are and how to turn off the power in case of emergency.

LEARN CPR

You Can Do It!

CPR IN THREE SIMPLE STEPS

(Please try to attend a CPR training course)

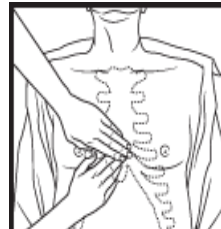
1. CALL

Check the victim for unresponsiveness. If the person is not responsive and not breathing or not breathing normally. Call 911 and return to the victim. In most locations the emergency dispatcher can assist you with CPR instructions.



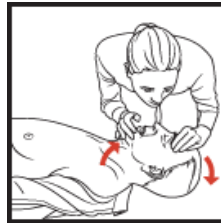
2. PUMP

If the victim is still not breathing normally, coughing or moving, begin chest compressions. Push down in the center of the chest 2 inches 30 times. Pump hard and fast at the rate of at least 100/minute, faster than once per second.



3. BLOW

Tilt the head back and lift the chin. Pinch nose and cover the mouth with yours and blow until you see the chest rise. Give 2 breaths. Each breath should take 1 second.

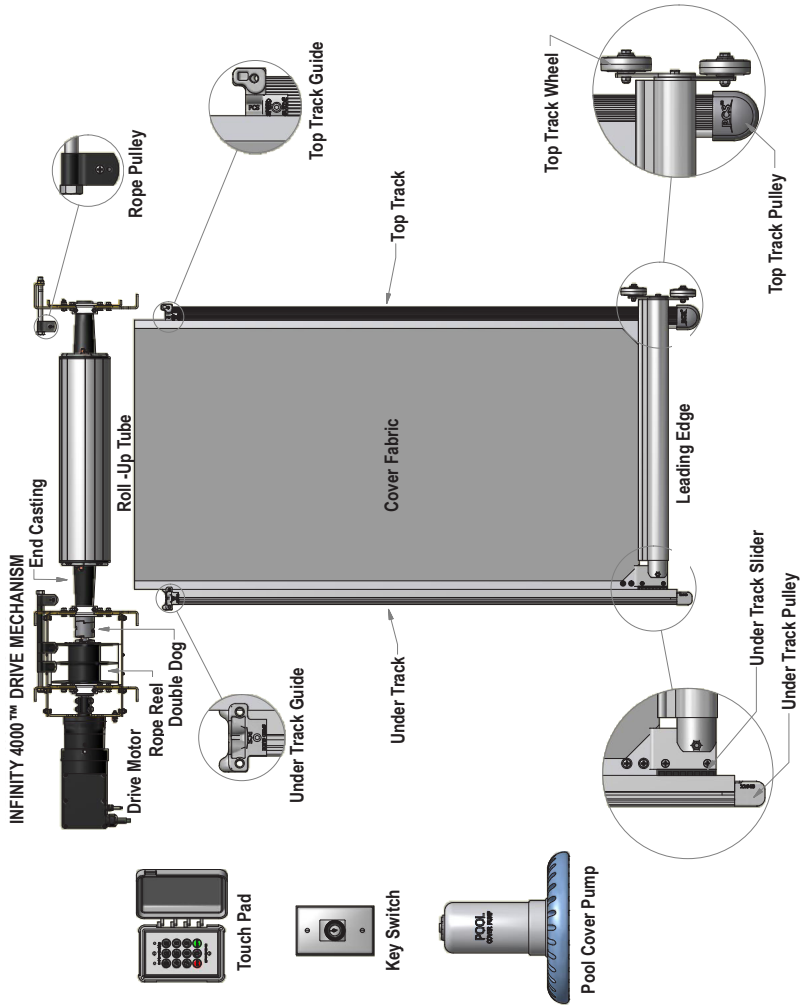


CONTINUE WITH 30 PUMPS AND 2 BREATHS UNTIL HELP ARRIVES

NOTE: This ratio is the same for one-person and two-person CPR. In two-person CPR the person pumping the chest stops while the other gives mouth-to-mouth breathing.

Sources: United States Consumer Product Safety Commissions; National Spa and Pool Institute's Operation Water Watch; and the American Academy of Pediatrics.
depts.washington.edu/learncpr.html

Pool Cover Component Names



Pool Cover Operation

Before operating the pool cover

- Inspect and make sure no bathers or pets are in or around the pool.
- Inspect and remove any obstructions (pool toys, towels, ladders, patio furniture etc.).
- Clear and remove any water or debris from on top of the pool cover (leaves, twigs, etc.). Use a pool brush and pool cover pump per the manufacturer's instructions.
- Un-plug and then remove the pool cover pump from the pool cover and the recreational area before operating the pool cover or swimming in the pool.
- See page 7 for addition Safety instructions.

Operating the pool cover

Based on your choice of accessories your pool cover will be controlled by either a momentary keyed switch or a Touch-Sensitive Touch pad mounted in full view of the pool.

- **Key switch** (controller): insert the key, turn and hold the key in the open or close position until the pool cover has completed the operation, then release the key. The operation can be stopped at any time by simply releasing the key. Visually monitor the operation of the pool cover for safety or problems as you hold the key.
- **Touch pad** (controller):
 - o Input your custom four-digit Personal User Code (see Programming and Operating instructions).
 - o Press either the "Open" or "Close" key and hold it down.
 - o To lock the Touchpad, press any numeric key. If the Touchpad is left active for more than 30 seconds, the Touchpad will automatically lock.

Note:

- When opening the pool cover, check for residual water on top of the pool cover that may build up as the pool cover is opening.
- When water accumulates, stop the pool cover by releasing the controller. Place the pool cover pump on the pool cover to remove the accumulated water.
- Unplug and then remove the pool cover pump from the pool cover after the water is gone.
- Resume opening the pool cover, when fully open release the controller.





Water Removal and Pool Cover Pump Placement

⚠ WARNING: Water on top of your pool cover poses a drowning hazard and could damage your pool cover. Remove all water immediately. Small amounts of water will gravitate to deeper depressions consolidating in quantities great enough to pose a drowning potential for children and pets if not removed. If the swimming pool has a divider wall or in-pool spa, more than one pool cover pump may be necessary to keep the pool cover free of standing water.

The pool cover is supplied with an automatic submersible pool cover pump designed to activate when water builds up on the pool cover. The pool cover pump will turn on and off automatically as water accumulates and discharges from the pool cover. Always place the pool cover pump on the pool cover when the pool cover is closed before water accumulates.

Water can accumulate on top of the pool cover from misdirected sprinklers, overspray, holes and leaks in the pool cover, or rain, snow and ice.

Caution: Never attempt to “dump” or remove water from on top of the pool cover by opening the pool cover and spilling the water into the swimming pool. Attempting to do so can damage the mechanism and the fabric.

Positioning the pool cover pump on your pool cover:

Prepare the pool cover pump: Read and follow the pool cover pump manufacturer’s instructions.

WARNING: Never carry or deploy the pool cover pump by the electrical cord.

Attach a minimum 5/8 diameter garden hose to the pool cover pump. A larger diameter hose will discharge water more quickly.

Place the pool cover pump:

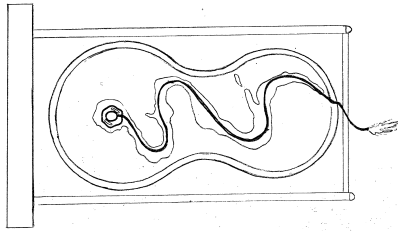
1. Set the pool cover pump upright on the side of the pool cover and push it into position with a pool brush (do NOT use a metal bristled brush). Use a pool brush to arrange the discharge hose.

Alternatively, with the pool cover over the swimming pool approximately 1/3 of the way, stand behind the mechanism and place the pool cover pump on the pool cover. As a second person closes the pool cover, arrange the discharge hose.

2. Assure the pool cover pump is in an upright position when set.

Arrange the discharge hose:

1. Place the hose in large "S" curves over the surface of the cover so that it passes through reoccurring isolated puddles. The depression the hose makes will help water to migrate back to the pool cover pump for removal.



2. Assure the water that will come from the end of the hose will not flood unwanted areas, such as window wells or the neighbor's yard/home.

Plug in the pool cover pump:

Plug the pool cover pump into a grounded, dedicated GFCI receptacle of appropriate voltage (see pool cover pump manufacturer's insert).

If you are going to be away for an extended period, arrange for a competent person to monitor your pool cover frequently and make sure all standing water is removed. The pool cover pump can be left in service on the pool cover through the winter months so that water is removed during thaw cycles. Insure that the power is on to the pool cover pump and that the discharge hose is free of obstructions and kinks.



WARNING: Follow all pool cover pump manufacturer's instructions. Your pool cover pump is an electrical appliance and needs to be handled accordingly.

- Do not permit children to use this product.
- Use only for removing water from the pool cover.
- Do not use extension cords. If needed, have a qualified electrician install an appropriate receptacle for the application of the pool cover pump.
- Do not bury the cord. Locate the cord to prevent damage from lawn mowers, grass, hedge trimmers and other equipment.
- Replace damaged cords immediately. Contact the pool cover pump manufacturer immediately for replacement of the power cord.
- Keep the pool cover pump in its upright position on the cover, failure to do so can result in failure to remove standing water presenting a drowning hazard and may also cause pump failure or damage.
- Do not run the pool cover pump without water; failure to do so may cause damage to the integrity of the enclosure and cause an electrical short.



Maintenance and Care

- 1. Housing Drains:** Recessed system housing drains should be checked and cleaned frequently to ensure free drainage. Debris can collect in the recessed housing if neglected, preventing adequate drainage. Long-term submersion of components of the system can result in substantial damage. Long-term submersion may void warranty.
- 2. Recessed Housing:** Regular cleaning (every 3 to 6 months) and removal of debris when necessary should be done to prevent operational problems, damage and staining of the pool cover. Close the pool cover over the pool, prop open the lid or remove it. Remove debris from the housing. Use gloves and safety precautions; spiders, insects, rodents and reptiles have been known to reside in debris in pool cover housings.
- 3. Pool Water Level:** Keep the pool water level at mid skimmer. Over-filling the pool can result in water overflowing the lower bond beam in front of the pool cover mechanism, flooding the recessed housing, and possibly damaging the pool cover or causing operational problems.
- 4. Cleaning the Top or Under Track:** To clean built-up dirt, sand and debris, open the pool cover to its fully open position. Rinse the tracks with clean water from a high-pressure nozzle on a garden hose.
- 5. Lubrication:** Never use lubricants on the ropes, webbing or pool cover tracks.

Your Infinity 4000™ and mini-Infinity™ Pool Cover System is equipped with self-lubricating bearings and does not need regular lubricating. However, dirt and debris can collect on moving parts and may need cleaning on a regular basis to prevent excessive wear (minimum once a year). Wash down moving components with clean water from a high-pressure hose. Do not flood the housing and mechanism. After drying, the moving parts can be oiled with a light coating of WD40 to drive out any residual moisture.

POOL COVER CARE


Protect Your Investment—the key to longevity of your pool cover is proper water balance, regular care and cleaning of the fabric.

WARNING!

- DO NOT WALK ON POOL COVER—EXCEPT IN AN EMERGENCY.
- AVOID DROWNING RISK—REMOVE ALL STANDING WATER IMMEDIATELY.
- NEVER LEAVE AN UNSECURED POOL UNATTENDED.
- POOL COVER MAY BECOME SLIPPERY WHEN WET.

- REMOVE SHARP OBJECTS, POOL TOYS AND TOWELS, ETC. BEFORE OPERATING THE POOL COVER.
- REMOVE LEAVES, INSECTS AND DIRTY WATER, ETC. AS SOON AS POSSIBLE BEFORE THEY CAN LEAVE A STAIN OR RESIDUE.
- CLEAN THE POOL COVER OFTEN BY RINSING WELL WITH CLEAN FRESH WATER. Rinsing often, helps remove evaporated chemical solids that can shorten the life of your pool cover (especially indoor pool covers).
- REMOVE DIFFICULT STAINS. Start by scrubbing with a soft bristled brush, wipe with a clean cloth, rinse and repeat. For persistent or oily residues, like suntan lotion or stains left from debris, use a low phosphate, non-detergent cleaner, scrub, rinse well and wipe dry.
- DO NOT USE DETERGENTS ON YOUR VINYL POOL COVER—THEY CAN DAMAGE IT AND VOID THE WARRANTY.
- CLEAN AWAY ALGAE STAINS (PARTICULARLY BLACK ALGAE). Algae can be found on the underside of the pool cover and can be cleaned by scrubbing with a stiff synthetic bristle brush. Use a mixture of diluted household bleach such as Clorox regular bleach, in a ratio of 9 to 1, nine parts water to one part bleach. Read and understand all safety-use labels. Always add the bleach to the water only, and take steps to protect yourself and the area from splashing.
- INSPECT THE POOL COVER FOR PREMATURE WEAR OR DETERIORATION.
- REPAIR EVEN THE SMALLEST HOLES AS SOON AS POSSIBLE. If water penetrates the vinyl and is exposed to the scrim (the thread-like reinforcement), the scrim will soak up water; carrying chemicals and contaminates to the inside of the fabric. This can lead to discoloring, stiffening and/or deterioration of the pool cover. Repair both sides of the hole in the pool cover when possible.
- HAVE ROUTINE ANNUAL MAINTENANCE PERFORMED BY A QUALIFIED SERVICE PERSON.
- MAINTAIN PROPER WATER LEVEL IN THE POOL FOR SAFETY AND POOL COVER OPERATION—85% of the pool cover surface must be in contact with the pool water to help prevent mechanical failure and to ensure safety barrier integrity.
- MAINTAIN PROPER POOL WATER BALANCE AND PH. Long-term imbalance or consistently fluctuating PH can ruin the vinyl pool cover in just a season or two. Making sure the water is balanced is a top priority. Failure to do so could result in the premature failure or wear of the pool cover and the entire pool system.
- WITH FREQUENT USE OF THE POOL COVER, CHEMICALS REQUIRED AND WATER USAGES ARE DRAMATICALLY REDUCED. Chemical treatments should be adjusted to reflect a covered pool. When covering the pool for extended periods, like winterizing, adjust automatic chemicals, feeders, salt systems and ozone generators to appropriate levels for a covered unused pool.



- 
- WHEN TREATING THE SWIMMING POOL FOR SANITATION OR BALANCING PH, ALLOW THE CHEMICALS TO CIRCULATE COMPLETELY BEFORE CLOSING THE POOL COVER. A good rule of thumb is, “Safe to Swim is Safe to Cover.”
 - WINTERIZE THE POOL COVER. Maintain water level as stated above. If water is lost through displacement by heavy snow/ice loads, water can be added through the skimmer or under the leading edge.
 - NEVER OPERATE THE POOL COVER WITH SNOW AND ICE ON IT.
 - REMOVE STANDING WATER IMMEDIATELY.
 - INSURE THAT YOUR POOL SERVICE COMPANY, OR WHOEVER IS IN CHARGE OF POOL MAINTENANCE, IS FULLY AWARE OF THIS INFORMATION.

Recommended Annual Maintenance

Pool Cover Specialists Automatic Swimming Pool Covers and Systems have been carefully designed for low maintenance requirements. To ensure maximum performance and safety of your system, the manufacturer recommends an annual inspection and tune up.

An authorized and certified technician should perform the following:

- 1. CHECK/TIGHTEN/REPLACE LOOSE TRACK SCREWS
- 2. CHECK/ADJUST TRACK SPLICE ALIGNMENT
- 3. CLEAN OUT TRACK WITH HOSE (IF ACCESSIBLE)
- 4. CHECK/TIGHTEN UNIT ANCHORING SCREWS
- 5. CHECK HOUSING/CLEAN AND REMOVE ALL DEBRIS
- 6. CHECK/ADJUST TENSION OF ROPE REELS
- 7. CHECK/ADJUST TENSION OF ROLL-UP TUBE
- 8. CHECK WEAR AND ADJUSTMENT OF DRIVE GEARS
- 9. CHECK WEAR AND ADJUSTMENT OF SHIFTING DOUBLE DOG
- 10. CHECK ELECTRICAL CONNECTIONS TO MOTOR
- 11. SAFETY CHECK GFCI BREAKER FOR POOL COVER
- 12. CHECK/ADJUST POOL COVER IN OPEN AND CLOSED POSITIONS
- 13. TOP TRACK MODELS ONLY: CHECK/ADJUST WHEEL HEIGHT
- 14. CHECK FABRIC AND WEBBING FOR SAFE LIFE AND SIGNS OF WEAR
- 15. CHECK FOR EXCESSIVE CHEMICAL DEPOSITS ON FABRIC
- 16. CHECK/TIGHTEN LID ANCHORING SCREWS
- 17. CHECK/ADJUST LID BRACKETS FOR PROPER SAFE HEIGHT
- 18. CHECK WATER LEVEL IN POOL FOR SAFE POOL COVER OPERATION
- 19. RUN AND ADJUST POOL COVER RUN CYCLE
- 20. CHECK POOL COVER OPERATING SENSORS
- 21. ADJUST WEBBING FROM TAIL END OF POOL COVER
- 22. CHECK ROTATION AND BEARINGS OF ALL PULLEYS
- 23. CHECK SAFE OPERATION OF POOL COVER PUMP



Your Pool Cover and Water Chemistry

To ensure you get the maximum service and enjoyment from your pool cover, we would like to share some pool chemistry tips that we have gathered in our many years of business. We feel confident that if these tips are followed, you will save a great deal of money by maximizing the life of your pool cover and minimizing your expense for pool chemicals.

Pool cover failures caused by improper water balance and chemical damage, deterioration, premature aging, discoloration of the pool cover etc. are not covered by your warranty.

- **Obtain a good pool water test kit and use it frequently.**
- **Maintain good water balance** (keeping the pH, alkalinity and calcium hardness at proper levels). When your water is properly balanced it allows the sanitizing agents, such as chlorine, to control bacteria and other contaminants at lower levels. The result is ideal pool water. Your local experienced pool professional, with his expertise and the instructions of various chemical manufacturers, is a valuable resource in attaining this goal. The chemical balance of swimming pool water is a complex subject. Total alkalinity and calcium hardness, for example, will vary considerably from location to location depending on the area's water supply. Therefore, you should check with your pool builder or local professional in identifying what values are best for your area. We have found that the following water balance data generally works well around the country.

<u>Parameter</u>	<u>Recommended Range</u>	<u>Test frequency</u>
PH	7.2 to 7.6	Daily
Total Alkalinity	80 to 120 ppm	Weekly
Calcium Hardness	150 to 250 ppm	Monthly
Free Chlorine	0.6 to 1.5 ppm	Daily
Salt	3,000 ppm	Weekly

*ppm = parts per million

- **PH is the most important factor** in the control of water chemistry. The pH is the measure of acidity and alkalinity of the water, with 7.0 being neutral. Never allow the pH to fall below 7.0 into the acidic range. An acidic level below 7.0 creates complex chemical interactions which are very harmful to your pool cover. Extreme or prolonged exposure of pH values below 7.0 and/or above 7.8 can significantly cause premature aging to your pool cover. Some pH adjusters may create damaging levels of alkalinity (high pH) if they do not mix completely with the pool water before closing the pool cover. The same is true of chlorine shocks; some require up to 24 hours before a "swim safe" range can be reached.

Do not cover a pool when the water balance is not in the safe swim range; thus the rule of thumb, *“if it’s safe to swim, it’s safe to cover”*. Because of the hazards of an open pool, we recommend using a non-chlorine shock, the mixing and dispersion of which is usually complete within 30 minutes. This allows for the pool cover to be closed sooner. Please check with your pool service company for proper use.

- **Chlorine abuse** is a major cause of pool cover degradation. High concentrations of chlorine will attack the pool cover, can bleach and discolor it, cause it to shrink, become brittle and deteriorate rapidly. Never allow chlorine to come in direct contact with the pool cover until it is fully dissolved and thoroughly dispersed in the pool water.

Floating chemical dispensers should never be used under the pool cover. They can become trapped in one spot creating a high concentration of chemicals and damage the pool cover.

- **More is not always better:** When adding chemicals to your pool; too much may actually be harmful to you, your pool and your pool cover. This includes salt and salt systems. Too much salt can create a “soft water” condition, particularly in vinyl and fiberglass pools that can be extremely corrosive to the pool, the pool equipment and your Automatic Swimming Pool Cover system.
- **Extended covering:** Before covering your pool for an extended period of time, like going on vacation or winterizing your pool, ensure the water is balanced. Recheck the water after adjusting the chemicals to make sure they have completely mixed and dispersed through the pool. Depending on your circulation system, this could take between 4 and 24 hours.

Insure the water level is at the correct height.

When covering the pool for extended periods of time, ozone generators, chemical feeders, and other automated systems should be adjusted down to appropriate levels so unnecessary amounts of chemicals do not build up under the pool cover.

- **Inform others:** Please inform your pool service company or other pool maintenance caretakers of this important information.

Warning: Never leave an open pool unsupervised. Instruct anyone operating your pool cover that the pool must be attended while it is open!

Please consult with your pool builder/pool service company. Have them review the above listed recommendations and then fill in the following for your type of pool, equipment and area.





• Parameter	Recommended Range	Test Frequency
PH	_____	_____
Total Alkalinity	_____	_____
Calcium Hardness	_____	_____
Free Chlorine	_____	_____
Salt	_____	_____

Reduced settings on my automated system for long term covering and closing of the pool

Other recommendations: _____

Note: Always leave the pool uncovered until the pool water is in the safe swimming range.

Commonly Asked Questions

Question

Answer

1. Can I walk on the pool cover?

Yes, however it is recommended that you only do so in cases of emergency.

2. Why are there wrinkles in my pool cover? Is it too big?

Your pool cover is custom manufactured and tailored to your pool size. Additional fabric is added to the pool width measurement to accommodate the drop to the water from the track. Also, approximately 1% shrinkage naturally occurs over the life of the pool cover. This extra material also assures proper strength of the pool cover for winterizing.

3. What can I do to extend the life of my pool cover?

Keep your pool water pH in the 7.2 to 7.6 swim-safe range. Have an annual professional service performed. Keep the pool cover and the pool cover system components clean.

4. What can I use to clean the pool cover?

Fresh water, a pool brush, and terry cloth rags are always the first line items. Non-detergent, low phosphate soap can also be used. See additional directions under the pool cover care section of the owner's manual.

5. Should I leave the pool cover pump on the pool cover all the time?

The pool cover pump should be placed on the pool cover and plugged in anytime the pool cover is closed, even during the winter months. (See "Pool Cover Pump Placement" section of the owner's manual.)

6. Sometimes there is a snapping, popping noise when I operate the pool cover. Is something wrong?

This is normal and nothing to worry about. Sometimes when the ropes are under tension, they drop off the high side of the rope reel and make a popping sound.

7. How soon after a shock treatment of the pool can I close the cover?

The rule of thumb is; ***"if it's safe to swim, it's safe to cover."*** Follow the shock manufacturer's Instructions; See also, Chemicals and Your Pool Cover section of the owner's manual.



TROUBLESHOOTING

Note: Do not operate the pool cover when there are damaged or broken components; additional damage or injury may occur. Please inspect your pool cover before operating; the manufacturer is not responsible for damages caused by operating a damaged pool cover. Call your local pool cover professional immediately for service or assistance.

SYMPTOM	POSSIBLE CAUSE	SOLUTION
1. Pool cover will not open or close.	A. Circuit breaker or GFCI has tripped.	A. Reset circuit breaker.
	B. Water on the pool cover.	B. Pump water off the pool cover.
	C. Water build-up between the roll-up tube and the pool.	C. Bail or sweep water off the pool cover. Call for service, roller tube torsion blocks may need adjusting.
	D. Cover sticking to deck.	D. Use a garden hose to put water between the deck and the cover. Lift pool cover and billow air under it. Use a welcome mat to break the connection of the deck to the pool cover.
	E. Electrical system needs service.	E. Call your pool cover professional for service.
	F. The control button or key is not being held on.	F. The switch is a momentary switch and must be held on for the pool cover to operate. Let it go—it stops, hold it on—it goes. There will be a delay between holding the switch on and when you see the pool cover move.
2. Water leaking from the pool onto the pool cover.	A. Abrasion pinholes.	A. Use patch kit to repair the pool cover.
	B. Puncture in cover from foreign object.	B. Remove object. Use patch kit to repair the pool cover.



SYMPTOM	POSSIBLE CAUSE	SOLUTION
3. Pool cover surges or seems to be running under stress.	<p>A. Binding and extreme friction during operation.</p> <p>B. Debris in recessed housing.</p> <p>C. Pool cover sticking to the deck.</p> <p>D. Pool cover is too tight between the track.</p> <p>E. Pulleys at the end of the track are worn or bad.</p>	<p>A. Clean tracks with a hose.</p> <p>B. Remove debris from housing.</p> <p>C. Use a garden hose to put water between the deck and the pool cover. Lift the pool cover and billow air under the pool cover. Use a welcome mat to break the connection of the deck to the pool cover.</p> <p>D. The pool cover may be at the end of it's serviceable life and needs to be replaced. Call for service.</p> <p>E. Replace the pulleys. Bad pulleys can wear out and break ropes.</p>
4. Pool cover has over-run at the open or close position.	<p>A. Sensor or wiring failure.</p> <p>B. Pool cover has retracted out of the track.</p>	<p>A. Call your local pool cover service professional.</p> <p>B. Call your local pool cover service professional.</p>



Emergency Closing and Opening of the Pool Cover

Note: The pool cover should not be manually or otherwise operated if there is damage to the pool cover such as a broken slider or large tear in the fabric. If your pool cover was installed as a safety barrier do not manually open the pool cover unless you are sure you can close it.

Manually Close the Pool Cover

- This is a strenuous activity and should not be attempted by individuals with limiting health conditions.
- Remove the access panels(lids) on each side of the pool cover housing.
- Remove the motor collar using two 9/16 inch wrenches. (#IN1131) fig.1
- With a person on each side of the pool cover pull the pool-cover return ropes in unison until the pool cover is completely over the pool.
- Wind and stow ropes in pool cover housing to prevent tangling and to avoid tripping hazard.
- Call your pool cover professional for service.

Manually Opening an Infinity 4000™ Automatic Swimming Pool Cover

Tools Needed: - 1/2" Drive Ratchet - (2) 9/16" Wrenches

Step 1: Remove the access panel of the pool cover housing.

Step 2: Remove the 9/16" bolt connecting the drive shaft to the motor, this allows the gears of the mechanism to free spin (**Fig. 1**).

Note: There are two 9/16" bolts on the motor collar, either one can be removed.

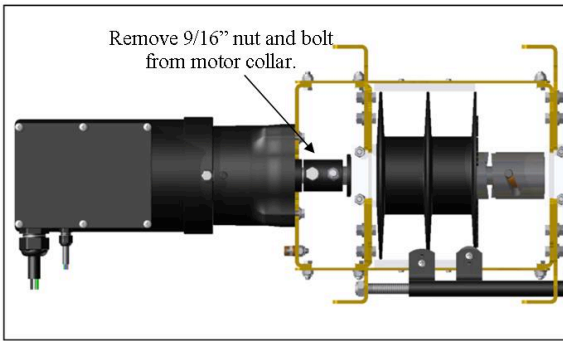


Fig. 1

Step 3: Move to the end opposite of the motor on the Infinity 4000 Mechanism. Insert a 1/2" drive ratchet into the end casting of the roll-up tube, crank the ratchet in the direction needed to open the cover (**Fig. 2**).

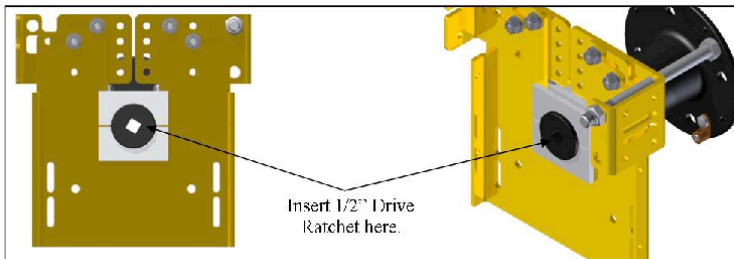


Fig. 2

Insert 1/2" Drive Ratchet here.

Before rotating the roller-tube, remove the 9/16 nut and bolt from the motor collar.

Infinity 4000™ Motors End Assembly Exploded View

<u>Part Number</u>	<u>Description</u>
22773	Mounting Bracket, Left
22774	Mounting Bracket, Right
MA62001	Pulley Assembly, Long
MA62002	Pulley Assembly, Short
DS2200	Motor End Assembly
DR1001	Block, Torsion, 3/16 Slot
22208	Universal Single Dog
DS3200	Universal Double Dog Drive Shaft Assembly
22207	Universal Double Dog
DR22009	Rope Reel
IN1131	7/8 Motor Collar Assembly
IN1000	110V Baldor Motor Assembly
22772	Main Bracket
22781	Side Bracket
22780	Motor Mounting Bracket

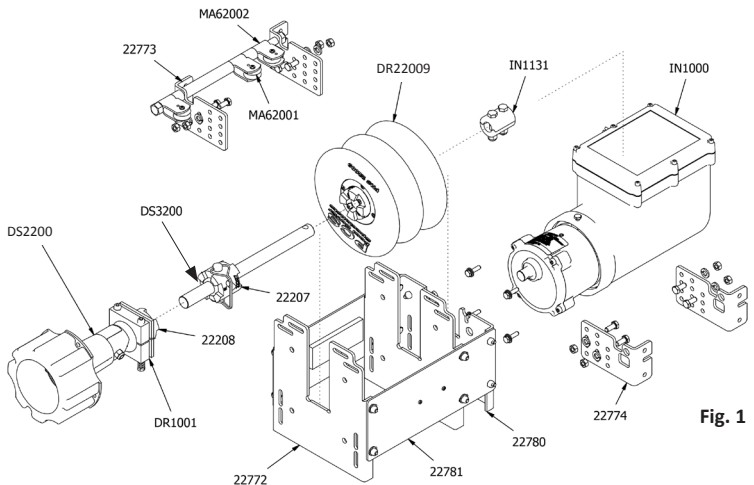


Fig. 1

Infinity 4000™ Opposite End Assembly Exploded View

<u>Part Number</u>	<u>Description</u>
MA62002	Pulley Assembly, Short
DS3300	Opposite End Assembly
DR1001	Block, Torsion, 3/16 Slot
22773	Mounting Bracket, Left
22774	Mounting Bracket, Right
10507	Bonding Lug
22772	Main Bracket
29003	Opposite End Ratchet Plate
22776	Opposite End Mounting Bracket

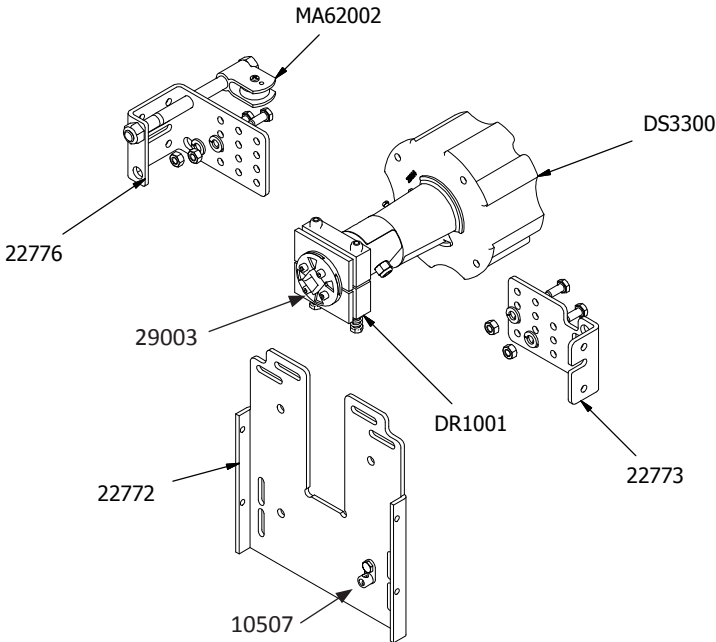


Fig. 2

mini-Infinity™ Exploded View

<u>Part Number</u>	<u>Description</u>
DR1001	Block, Torsion, 3/16 Slot, 2004 and Newer
DR2000	(2013) Universal Double Dog/Single Dog Assembly
IN1131	Baldor 7/8 Motor Collar Mounting Assembly
IN1000 MI	Baldor Motor, Can and Electric Assembly, Mini-Infinity
26018-BLK	(2009) Mini-Infinity Chain Guard Bracket
22758-33	#40 RIV Roller Chain 33 for Mini-Infinity
26021	(2009) Mini-Infinity 21T Sprocket
DR22010-M	6 Motor End Hub Casting
22942	Motor Bracket
DR22010-0	6-inch Opposite End Casting Hub Kit
22202	Double Row Bearing Rope Pulley

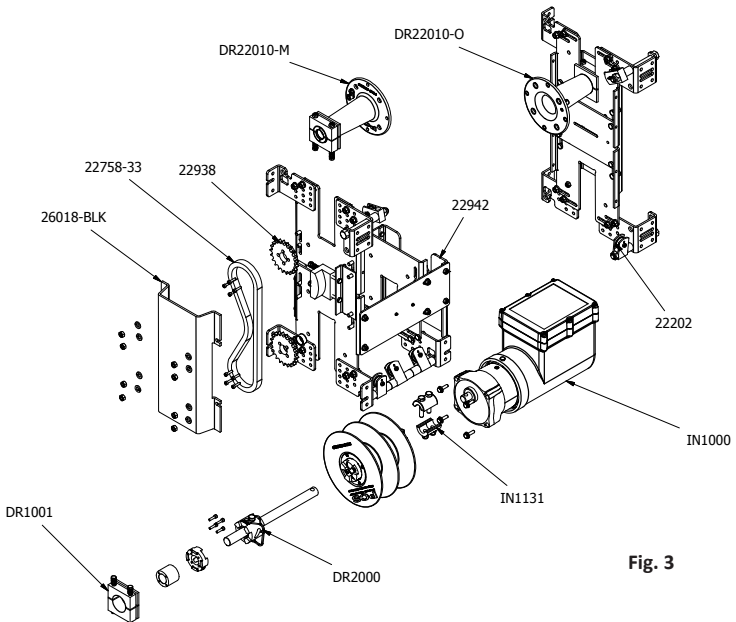


Fig. 3

IMPORTANT WARRANTY INFORMATION! PLEASE READ!

LIMITED WARRANTY ACTIVATION INSTRUCTIONS

Fill out and sign the owner's survey warranty registration form.

Mail registration to:

Pool Cover Specialists
c/o Warranty Registration
8553 South 2940 West
West Jordan UT 84088
or register on-line at www.poolcovers.com.

Your warranty registration must be completed and sent to Pool Cover Specialists within 40 days of installation for validation of your warranty.

Pool Cover Specialists is strictly a wholesale manufacturer selling to qualified and factory trained swimming pool and pool cover professionals. We rely on these professionals to install the safety cover to factory specifications and to instruct you on its use. However, the responsibility for its use and maintenance falls upon you, and we want to make sure you receive all the support you need. If you require additional clarification about your pool cover or the information in the owner's manual, please contact Customer Service at 1-800-369-5152.

If you require a replacement part or repair to your system, please contact the company who installed your cover system or contact Pool Cover Specialist Inc. at 1-800-369-5152 for information about how to reach a service provider near you.

Occasionally, an installer feels the need to modify components of a pool cover to meet the custom nature of the pool construction. These modifications are the sole responsibility of the installer and are not covered under Pool Cover Specialists Limited Warranty. Unauthorized modifications to parts or components of the pool cover system can void part or all of the limited warranty.



OWNER SURVEY & WARRANTY REGISTRATION: INFINITY 4000™ MODELS

DIRECTIONS: Please read and understand the Owner's Manual. Indicate your understanding of each of the statements below by checking the box in front of each statement. **NOTE:** If you don't understand one or more of the statements below, review your Owner's Manual for more in-depth information or call our Customer Service Department for clarification: 1-800-369-5152.

Mail registration to Pool Cover Specialists c/o Warranty Registration 8553 S. 2940 W. West Jordan UT 84088, or register on-line at www.poolcovers.com.

Statements Pertaining to Safety:

- 1. Never operate the pool cover when swimmers/bathers are in the pool.
- 2. Maintain a clear view of the pool whenever operating the pool cover.
- 3. When the pool cover is the primary or secondary safety barrier, the pool must be covered whenever the pool is unattended.
- 4. Immediately remove all standing water from the top of the pool cover with the pool cover pump provided to prevent injury or drowning.

Statements Pertaining to General Information:

- 5. Never run the pool cover without adequate water in the pool to support the fabric. Maintain the water level so that 90% of the fabric under-surface makes contact with the water. Snow, ice and water accumulated on top of the pool cover can displace the pool water to dangerous levels causing safety and damage to the pool cover and or pool deck.
- 6. Never walk on the pool cover except during an emergency.
- 7. Maintain pool water chemistry and Ph. Chronic chemistry imbalance could reduce the life expectancy of the pool cover.
- 8. Annual tune-ups performed by certified personnel will help ensure that the pool cover remains trouble-free.
- 9. Keep the track clean. Rinse periodically to prevent unnecessary abrasion and/or "jamming" of the pool cover.
- 10. If the track is loose or pulls away from the deck, service immediately. Over time, vibration and movement of the pool cover can cause the track to loosen.
- 11. Cleaning the pool cover regularly as directed will increase its longevity.
- 12. Keep sharp objects away from the pool cover. **WARNING:** The Limited Fabric Warranty does not warrant against lacerations, punctures or tears in the fabric.
- 13. The Limited Mechanism Warranty provides lifetime protection on drive components; however, labor is included during the first year only and electrical components are warranted for three years only.
- 14. Track sliders, wheels, and guides should be replaced periodically since they are subject to constant abrasion under normal use and are, therefore, exempt from the terms of the Limited Mechanism Warranty.
- 15. Do not step or walk on the aluminum mechanism lid. A pool covering that has been bent down could cause extensive damage to the fabric.
- 16. Read and understand the Owner's Manual before operating the system.



Statements Pertaining to the Operation of the Pool Cover:

- 17. If the pool cover becomes obstructed or stalls, release the control immediately to avoid damage to the fabric or the mechanism. Note: A fabric tear resulting from failure to release the control is deemed to be the result of operator error and, therefore, not subject to coverage under the terms of the Limited Warranty.
- 18. Do not allow anyone unfamiliar with the operating procedures to operate the pool cover.
- 19. Discontinue operation of the pool cover and call for service if the pool cover consistently retracts unevenly. Note: Damage resulting from continued operation of a “crooked” pool cover is deemed to be the result of operator error and, therefore, not subject to Limited Warranty coverage.
- 20. When operating the pool cover do not “shift” the control back and forth. The control has a built-in protective device that prevents the pool cover from retracting too far. If the control is inadvertently turned in the wrong direction, “shifting” the control back and forth could reset the device. This could leave the pool cover vulnerable to over-retraction.
- 21. If the pool cover is accidentally retracted too far, resulting in the pool cover being out of the track, the pool cover must be “hand-fed” back into the track prior to activating the control. Note: Damage resulting from failure to feed the pool cover into the track before activating the control is not covered under the Limited Warranties.
- 22. TOP-TRACK WHEEL MODELS ONLY: Before operating the pool cover, check to see that the wheel assemblies have not been pushed down, causing the leading edge to rest on the track. Note: Damage resulting from operation of the pool cover while the leading edge is resting on the track is not covered under the terms of the Limited Warranties.

By registering and signing this document I affirm and acknowledge my understanding of the aforementioned directions, instructions, warranties and warnings in this Survey and the Owner’s Manual.

OWNER INFORMATION AND WARRANTY REGISTRATION:

Owner’s Name _____ Signature _____
Address _____
Home Phone _____ Cell Phone _____
Purchased From _____ Address _____
Installing Dealer’s Signature _____ Installation Date _____

THE WARRANTIES ARE EFFECTIVE WHEN SIGNED AND DATED. PROOF OF PURCHASE MUST BE PROVIDED. FAILURE TO PAY ALL CHARGES IN ACCORDANCE WITH THE ORIGINAL TERMS OF THE SALE SHALL NULLIFY THE WARRANTIES. FAILURE TO PROPERLY INSTALL, OPERATE OR MAINTAIN THE PRODUCT IN ACCORDANCE WITH THE PUBLISHED INSTALLATION, OPERATION AND/OR MAINTENANCE MANUALS WILL NULLIFY THE WARRANTIES; IT IS THE SOLE RESPONSIBILITY OF THE PURCHASER/HOMEOWNER TO VERIFY THE STANDING OF THE INSTALLER AND TO CONFIRM THAT THE INSTALLER IS QUALIFIED, LICENSED AND/OR INSURED ACCORDING TO LOCAL AND STATE REQUIREMENTS.



Pool Cover Specialists®

INFINITY 4000™ SYSTEM-LIFETIME LIMITED WARRANTY

Pool Cover Specialists, Infinity 4000™ Systems are manufactured, tested and certified by Underwriters Laboratories (UL) to comply with the highest quality standards set by the American Society for Testing and Materials (ASTM) for automatic swimming pool covers, (ASTM F1346-91(2010)).

LIFETIME WARRANTY ON MECHANISM: Pool Cover Specialists® Infinity 4000™, and mini-Infinity™, system mechanism (all extrusions, rope reels, drive gears and brackets), are warranted to be free of manufacturing defects in material and/or workmanship under normal use and operation. The mechanism is warranted to the original purchaser beginning at date of purchase through the lifetime of the mechanism, (the warranty period), as provided specifically in the terms and conditions stated hereinafter. The warranty is transferable to subsequent owners for 22 years after the original purchase date. New owners must register with Pool Cover Specialists with their name and address within forty-five (45) days of purchase.

DURALIFE™ COVER FABRIC 84-MONTH LIMITED WARRANTY: Pool Cover Specialists® fabrics are warranted to be free of manufacturing defects in material and/or workmanship under normal use and service for 84 months from the date of purchase (the warranty period) as provided specifically in the terms and conditions herein. Pool Cover Specialists® warrants its Duralife™ fabrics during the warranty period against shrinkage and deterioration to the extent that the cover is not rendered inoperable due to tension caused by shrinkage and to the extent that water not penetrate the fabric in sufficient quantity to render it inoperable. Upon verification of the factory defect Pool Cover Specialists® agrees at its option to repair or replace the cover subject to the conditions and proration hereinafter stated.

Although proration is computed monthly from the date of purchase, proration will be exempt during the first 36 months, with the manufacturer reserving the right to replace or repair any warrantable cover at manufacturer's expense, not including any costs for service, travel or labor. On the remaining warrantable period (months 37 thru 84) proration will be applied at 1/84 per month, not including any costs for service, travel or labor. The cost of repair or replacement will be based on the most current retail pricing at the time warranty coverage is provided as stated hereinafter.

OTHER COMPONENT WARRANTIES: Pool Cover Specialists, in addition, provides the following express warranties:

- Motors, controllers and associated electrical components are warranted for 36 months with exclusions as stated herein.
- Advantage™ Bench system is warranted for 60 months.
- All extrusions are covered in the Lifetime Warranty. Any custom coloring and/or powder coating on extrusions is warranted for 12 months from installation against fading, discoloring or major flaking due to faulty processing.
- The standing water removal pump is not warranted for any amount of time by Pool Cover Specialists. The standing water pump only has the express warranty provided by its manufacturer.

In-house warranty labor to repair or replace warrantable components shall be limited to one year from date of purchase. Pool Cover Specialists reserves the right

to replace or repair any warrantable components at manufacturer's expense, not including any costs for service, travel or labor. The cost of repair or replacement will be based on the most current retail pricing at the time warranty coverage is provided.

Components deemed warrantable, based on inspection and approval by an authorized Pool Cover Specialists® representative, must be returned to Pool Cover Specialists® for repair or replacement to be covered under the terms of the Infinity 4000™ System-Lifetime and/or Duralife™ Limited Warranty. If shipment is required, components must be returned to Pool Cover Specialists® by prepaid freight, with return shipping costs being the responsibility of the mechanism/cover owner.

WHAT IS NOT COVERED?


This Limited Warranty does not cover incidental or consequential damages. The Limited Warranty does not cover products that have been moved from their original installation sites. Pool Cover Specialists® is not responsible for any costs or delays when a technician is unable to render service due to intolerable weather, unsafe pool or spa water temperatures when entry or contact with the water is necessary, customer service refusals, lock-outs, or animals near the work area. No remedies will be made for loss and/or usage of water or fuel or any other resources resulting from a defective product, or the time it takes for shipping and repair. Corrosion from improper pool chemistry, electrolytic or galvanic action or any other source is not covered under this warranty as it is not a manufacturer's defect. The warranty also does not cover defects, failures, complaints, or malfunctions occurring from the following:

1. Acts of God such as lightning, earthquake, flood or weather-related damage, wild or domestic animals. Power surges, power spikes, power failures or excessive or abnormal wear due to conditions beyond Pool Cover Specialists® control.
2. Quality of workmanship of any installer, tradesman or service provider or labor to remove or re-install a warranted cover or component.
3. Occurrence of minor pinholes, fading, lacerations or tears to fabric, rope or webbing.
4. Failure to properly install, operate or maintain the cover system in accordance with Pool Cover Specialists® published Safety, Maintenance and Installation Instructions.
5. Standard wear components such as track guides, slider assemblies, wheels, pulleys and any custom manufactured items.

WHAT WILL VOID THE WARRANTY?

The Warranty shall be void by the following conditions:

1. Failure to maintain proper water chemical balance, pool water levels, perform regular maintenance on the fabric, rope, webbing, extrusions, or mechanism, abuse, neglect, water, snow or ice accumulation on top of the cover or unreasonable use.
2. Failure to have the cover installed, maintained, or repaired by authorized service personnel during the warranty period or to pay all charges in accordance with the original terms and conditions of the sales contract.
3. Use or application of non-factory authorized cleaners, sealers, accessories,

- 
- parts, or components in conjunction with the cover(s).
 4. Damages from improper installation or installation for purposes other than those outlined by Pool Cover Specialists®.
 5. Removal of identification or WARNING labels.

This is the only warranty given by Pool Cover Specialists®. No other party is authorized or permitted to make changes or offer any other warranties representing or on behalf of Pool Cover Specialists®. **POOL COVER SPECIALISTS® MAKES NO ADDITIONAL CLAIMS OF WARRANTY PROTECTION, EITHER EXPRESSED OR INFERRED. IMPLIED WARRANTIES, INCLUDING THE IMPLIED WARRANTY OF MERCHANTABILITY AND THE IMPLIED WARRANTY OF FITNESS FOR A PARTICULAR PURPOSE, ARE LIMITED TO THOSE STATED HEREIN.**

Some states and/or provinces do not allow limitations on an implied warranty; therefore, the above limitation may not apply. Pool Cover Specialists® expressly disclaims and excludes any liability for consequential, incidental, indirect or punitive damages for breach of any implied or expressed warranty. In no event shall Pool Cover Specialists® be liable for incidental or consequential damages of any kind, including but not limited to, damage to decking, coping, tile, stone, skimmers or skimmer covers, fixtures, pool liners, drains, plumbing, landscaping, pets, animals, plants, buildings or residences. Some states and/or provinces do not allow the exclusion or limitation of consequential or incidental damages; hence the above limitation may not apply.

WHAT STEPS SHOULD BE TAKEN TO INITIATE WARRANTY COVERAGE?

This Limited Warranty gives you specific legal rights. There may be other rights available to you that vary by state and/or province. To obtain warranty consideration, contact your authorized dealer/installer and supply the following information: Date, proof of purchase, description of the product/equipment and nature of the defect(s). Your dealer/installer will provide service during normal business hours. Upon receipt of authorization from Pool Cover Specialists®, the defective product must be returned to Pool Cover Specialists® repair facility, shipping pre-paid, in order to facilitate repair under the terms of the Infinity 4000™ System Lifetime and/or Duralife™ Limited Warranty. Upon completion of the repair or replacement of the fabric, return-shipping charges, as well as all labor to remove and replace the pool cover and components, are the responsibility of the system owner. If you have any questions regarding the terms or limitations of Pool Cover Specialists® Infinity 4000™ System Lifetime and/or Duralife™ Limited Fabric Warranty, please contact the Customer Service Department at the telephone number listed below.

Pool Cover Specialists® makes no additional claims of warranty protection, either expressed or inferred, other than those stated herein.

IMPORTANT NOTE: If a safety cover is removed or disabled for any reason, it is the sole responsibility of the pool owner to secure the pool area. Pool Cover Specialists® accepts no liability or responsibility for harm or damages caused by a pool area left unsecured.

POOL COVER SPECIALISTS® NATIONAL, INC. Corporate Office: 8553 South 2940 West, West Jordan, Utah 84088
Phone: 1-800-369-5152 // Fax: 1-801-568-6955 // Email Address: info@poolcovers.com // Web Address: www.poolcovers.com

Copyright 1984-2014 by Pool Cover Specialists

Certifications, Listings and Regulatory Compliance



Pool Cover Operator, Model Infinity 4000™. Classified in Accordance with ASTM F 1346-91 (2010).

File Number: E211895

UL Category Listings: Model Infinity 4000™, mini-Infinity™

WBAH.E211895

Swimming Pool and Spa Cover Operators, Electric

WDDJ7.E211895

Swimming Pool and Spa Cover Operators, Electric Certified for Canada

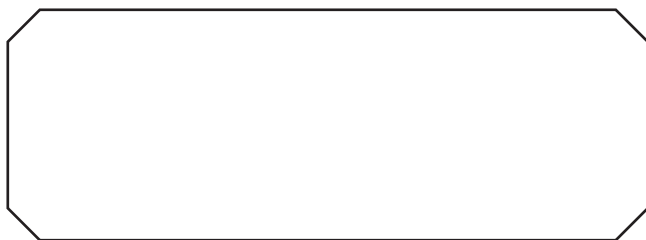
Designation: Power Safety Cover (PSC) F1346-91
(Reapproved 2010)



Models Infinity 4000™ and mini-Infinity™ meet and exceed requirements set forth in ASTM Safety Covers for Swimming Pools, Spas and Hot Tubs standard F1346-91(2010).



For service or warranty information contact your
Pool Cover professional



Infinity 4000™ and mini-Infinity™ Automatic Swimming Pool Covers
manufactured by

POOL COVER
SPECIALISTS®

8553 South 2940 West
West Jordan, UT 84088 USA
www.poolcovers.com • 800-369-5152