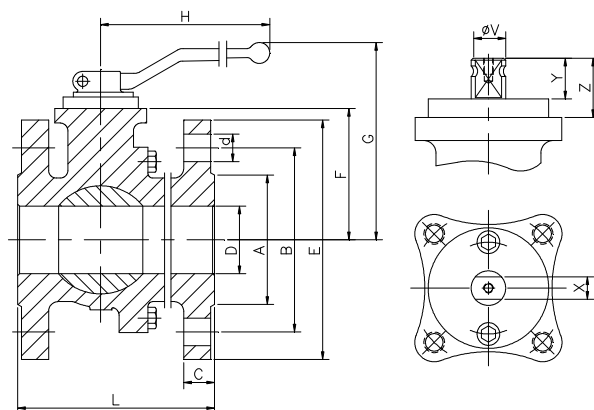
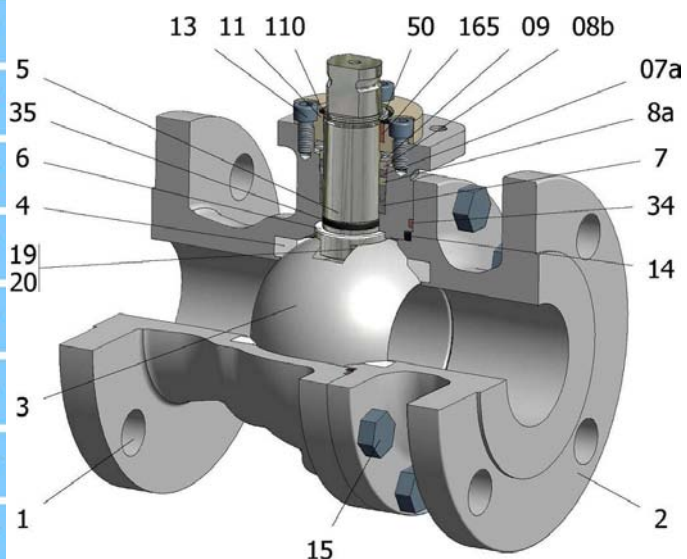


FIG.Z 14 SSSGV CL150 1/2"-8"



Position	Description	Material
01	Body 1	C.S. A216 WCC
02	Body 2	C.S. A216 WCC
03	Ball	S.S. A351 CF8M
04	Seat	PTFE+CG
05	Stem	S.S. AISI 316
06	Stem seal	PTFE+CG
07	Stem packing 1	PTFE+CG
07a	Stem packing 2	Graphite
08a	Gland packing	S.S. AISI 316
08b	Gland packing 1	S.S. AISI 316
09	Spring washer	S.S. AISI 301
11	Cover	S.S. AISI 316
13	Cover bolt	A4-70
14	Body seal 1	PTFE+CG
15	Body bolt	A193 B7M
16	Handle	WCB
17	Handle bolt	1.045(8.8)
19	Spring	S.S. AISI 316
20	Antistatic ball	S.S. AISI 316
34	Body seal 2	Graphite
35	O ring stem	Viton
50	Subjection ring	S.S. AISI 304
110	Subjection ring seal	S.S. AISI 316 Nitrided
165	Stem bearing	PTFE+FG

General features

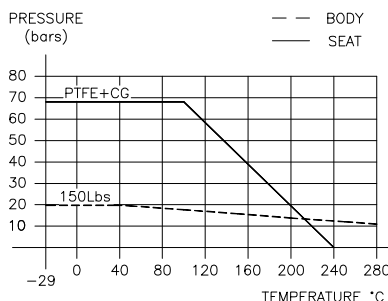
- Floating ball.
- Split body.
- Full bore.
- Soft seat.
- Bidirectional.
- TA-LUFT.
- Anti Blow out proof stem.
- Autoadjustable packing.
- Anti static device.
- Self-cavity pressure relief.

Standards

- Top flange ISO 5211
- Flanges ANSI B16.5
- Face to face ANSI B16.10
- Testing API 598, API 6D, BS 6755-1
- Design API 6D, B16.34
- Materials according to NACE MR0175

Official approvals

- CERTIFICATE FIRE SAFE
- TA-LUFT
- ATEX 94-9EC
- API 6D.
- PED 97/23/CE.
- SIL 3 CAPABLE
- EN 161/EN 264



PEKOS GROUP CERTIFICATES:



DIMENSIONS & Technical information

DN	CL	D	L	E	A	B	C	F	H	G	V	X	Y	Z	n x d	ISO 5211	Torque	MAST	Weight
1/2"	150	15	108	90	35	60	11	52	185	105	14	11	11	13,5	4 x 16	F05	11	42,4	2,5
3/4"	150	20	117	100	43	70	13	54	185	107	14	11	11	13,5	4 x 16	F05	13	42,4	3,2
1"	150	25	127	110	51	79	14	60	185	113	18	14	17	19,5	4 x 16	F05	19	92,2	4,2
1 1/2"	150	40	165	125	73	98	18	76	300	145	22	17	20	30	4 x 16	F07	38	244,3	7,4
2"	150	50	178	150	92	121	19	84	300	153	22	17	20	30	4 x 19	F07	58	244,3	10,4
2 1/2"	150	65	190	180	105	140	22	97	300	166	22	17	20	30	4 x 19	F07	74	244,3	17,0
3"	150	80	203	190	127	152	24	114	355	205	28	22	22	40	4 x 19	F10	124	509,7	22,5
4"	150	100	229	230	157	191	24	128	355	220	28	22	22	40	8 x 19	F10	174	509,7	31,6
6"	150	150	394	280	216	241	25	175	680	284	36	27	35	50	8 x 22	F12	480	1047,2	81,1
8"	150	200	457	345	270	298	29	245	750	362	48	36	40	63	8 x 22	F14	864	2482,2	143,0

** Depending on service conditions.

* Dimensions are in mm.

* Torque & MAST are in Nm

* Weight is in Kilograms

* Torque values have been measured ΔP at maximum rating at room temperature