

MODEL 375A and 375



Reduced Pressure Principle – Backflow Preventers 375A (2-1/2" to 10") and 375 (4" to 10")

Repair Kit Components		2-1/2" - 4"						2-1/2" - 6"		4"		6"						8"		8" and 10"				10"				
Size Range		RK212-RV375A-HOSE	RK4-350	RK4-375CK1	RK4-350CK2	RK4-375-SEAT1-ASSY	RK4-350-SEAT2-ASSY	BRK4-LBF-SEAT1RNR	BRK4-LBF-SEAT2RNR	RK212-RV-ASSY	4-BK	6-BK	RK6-350	RK6-375CK1	RK6-350CK2	RK6-350-SEAT1-ASSY	RK6-350-SEAT2-ASSY	BRK6-LBF-SEAT1RNR	BRK6-LBF-SEAT2RNR	RK6-RV375A-HOSE	8-BK	RK8-350	RK8-375CK1	RK8-350CK2	RK8-375-SEAT1-ASSY	RK8-RV375A-HOSE	RK8-RV-ASSY	10-BK
2-1/2"		•	•	•	•	•	•	•	•	•																		
3"		•	•	•	•	•	•	•	•	•	•																	
4"		•	•	•	•	•	•	•	•	•	•																	
6"										•	•	•	•	•	•	•	•	•	•	•	•							
8"												•	•	•	•	•	•	•	•	•	•	•	•	•	•	•	•	•
10"																						•	•	•	•	•	•	•
Item #	Item Description																											
1	Bolt, Flange										•(x16)	•(x16)										•(x16)						•(x24)
2	Nut, Flange										•(x16)	•(x16)										•(x16)						•(x24)
3	Gasket, Flange										•(x2)	•(x2)										•(x2)						•(x2)
4	O-Ring, Relief Valve								•																			•
5	Relief Valve Assembly								•																			•
6	Bolt, Relief Valve								•(x2)																			•(x2)
7	Seat Retainer #1			•				•(x6)					•					•(x6)					•(x4)	•(x7)				
8	Seat Retainer #2				•(x2)			•(x12)						•(x2)			•(x12)											
9	O-Ring, Seat		•(x2)	•	•							•(x2)	•	•								•(x2)						
10	Bolt, Poppet Retainer			•(x4)	•(x4)								•(x4)	•(x4)									•(x6)	•(x6)				
11	Handle, #1 Poppet Assembly			•									•															
12	Washer, Poppet Bolt			•(x4)	•(x4)								•(x4)	•(x4)									•(x6)	•(x6)				
13	O-Ring, Poppet Bolt		•(x8)	•(x4)	•(x4)							•(x8)	•(x4)	•(x4)								•(x12)	•(x6)	•(x6)				
14	Poppet Retainer			•	•								•	•									•	•				
15	Seal Ring		•(x2)	•	•							•(x2)	•	•								•(x2)	•	•				
16	Seat Assembly, #1 Poppet			•		•							•		•								•		•			
17	Seat Assembly, #2 Poppet				•		•							•		•							•					
18	Sensing Tube Fitting	•							•												•						•	•
19	Pitot Tube Assembly	•																			•						•	
20	Sensing Tube	•																			•						•	
21	Washer, Seat Retainer																						•(x4)	•(x7)				

Whole Goods (Available for individual sale)

Item #	Item Description	2-1/2"	3"	4"	6"	8"	10"
22	Gate Valve, NRS (FxF)	212-48	3-48	4-48	6-48	8-48	10-48
	Gate Valve, NRS (GxG)	212-48G	3-48G	4-48G	6-48G	8-48G	10-48G
	Gate Valve, NRS (GxF)	212-48GXF	3-48GXF	4-48GXF	6-48GXF	8-48GXF	10-48GXF
	Gate Valve, OS&Y (FxF)	212-48OSY	3-48OSYG	4-48OSY	6-48OSY	8-48OSY	10-48OSY
	Gate Valve, OS&Y (GxG)	212-48OSYG	3-48OSYGF	4-48OSYGF	6-48OSYGF	8-48OSYGF	10-48OSYGF
	Gate Valve, OS&Y (GxF)	212-48OSYGF	3-48OSYGF	4-48OSYGF	6-48OSYGF	8-48OSYGF	10-48OSYGF
	Butterfly Valve (GxG)	212-49G	3-49G	4-49G	6-49G	8-49G	10-49G
	Butterfly Valve (GxF)	212-49GXF	3-49GXF	4-49GXF	6-49GXF	8-49GXF	10-49GXF
23	Ball Valve, FxF		12-850XL			34-850XL	
24	Ball Valve, MxF		12-850MXL			34-850MXL	
25	Cover Retainer Assembly		6-23		8-23	12-23	12-23
26	Grooved Coupling	4X212-23	4X3-23	4-23	6-23	8-23	10-23
27	Bulkhead Fitting				BHFICXL-100		
28	Sensing Line Bulkhead Fitting				BHFIBXL-101		
29	Cover		RK4-LBF-VALVE-COVER		RK6-LBF-VALVE-COVER	RK8-LBF-VALVE-COVER	

Item No.	Repair Kit Description
2-1/2" - 4"	
RK212-RV375A-HOSE	Braided Hose Kit, 2-1/2" - 4" 375A RV
RK4-350	Standard Repair Kit, 2-1/2" - 4" 375A
RK4-375CK1	#1 Check Assembly Repair Kit, 2-1/2" - 4" 375A
RK4-350CK2	#2 Check Assembly Repair Kit, 2-1/2" - 4" 375A
RK4-375-SEAT1-ASSY	#1 Seat Assembly Repair Kit, 2-1/2" - 4" 375A
RK4-350-SEAT2-ASSY	#2 Seat Assembly Repair Kit, 2-1/2" - 4" 375A
BRK4-LBF-SEAT1RNR	Bulk #1 Seat Retainer Repair Kit, 2-1/2" - 4" 375A
BRK4-LBF-SEAT2RNR	Bulk #2 Seat Retainer Repair Kit, 2-1/2" - 4" 375A
2-1/2" - 6"	
RK212-RV-ASSY	Relief Valve Assembly Repair Kit, 2-1/2" - 6" 375A
4"	
4-BK	Flanged Kit, 4"

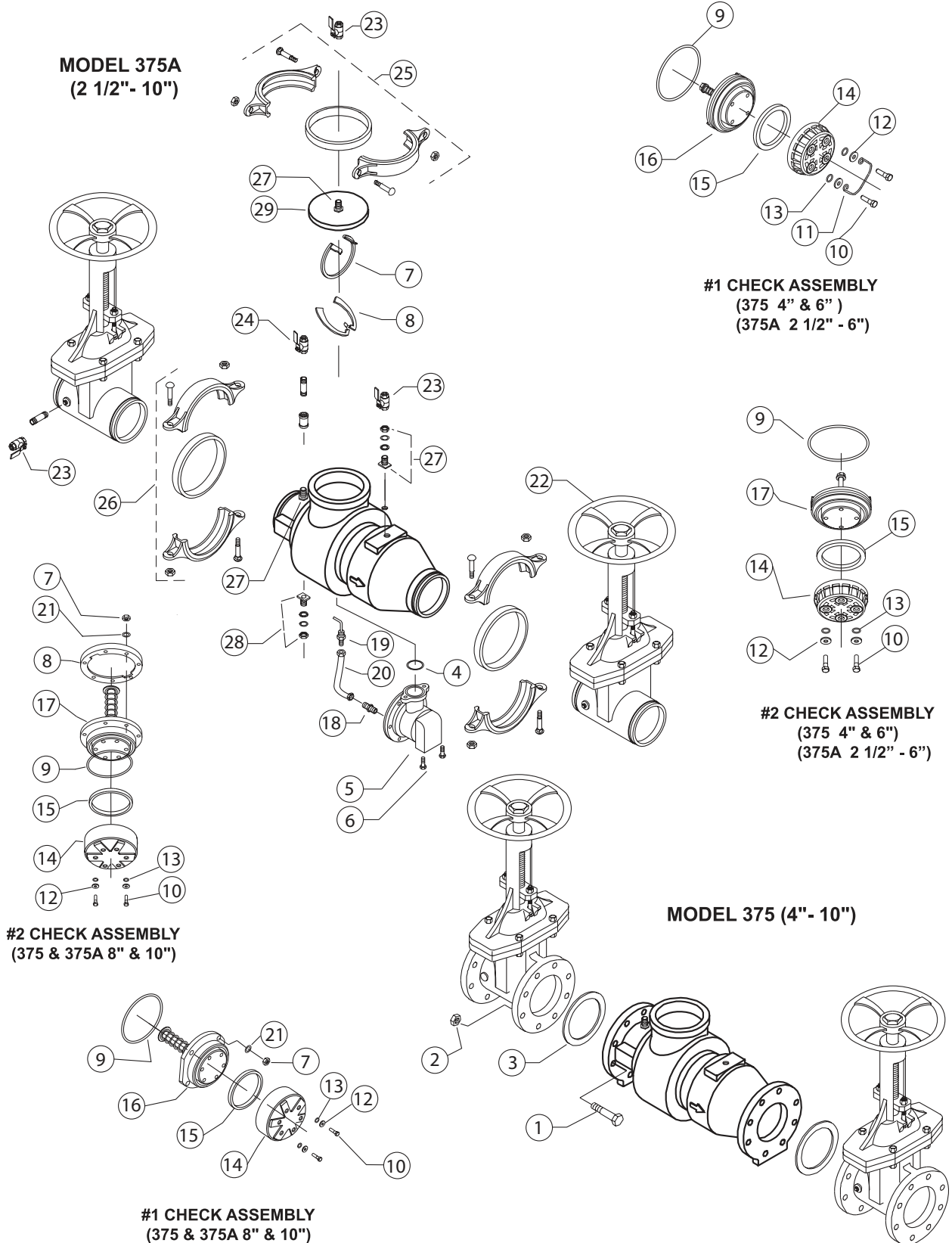
Item No.	Repair Kit Description
6"	
6-BK	Flanged Kit, 6"
RK6-350	Standard Repair Kit, 6" 375A
RK6-375CK1	#1 Check Assembly Repair Kit, 6" 375A
RK6-350CK2	#2 Check Assembly Repair Kit, 6" 375A
RK6-375-SEAT1-ASSY	#1 Seat Assembly Repair Kit, 6" 375A
RK6-350-SEAT2-ASSY	#2 Seat Assembly Repair Kit, 6" 375A
BRK6-LBF-SEAT1RNR	Bulk #1 Seat Retainer Repair Kit, 6" 375A
BRK6-LBF-SEAT2RNR	Bulk #2 Seat Retainer Repair Kit, 6" 375A
RK6-RV375A-HOSE	Braided Hose Kit, 6" 375A RV
8"	
8-BK	Flanged Kit, 8"

Item No.	Repair Kit Description
8 - 10"	
RK8-350	Standard Repair Kit, 8" and 10" 375A
RK8-375CK1	#1 Check Assembly Repair Kit, 8" and 10" 375A
RK8-350CK2	#2 Check Assembly Repair Kit, 8" and 10" 375A
RK8-375-SEAT1-ASSY	#1 Seat Assembly Repair Kit, 8" and 10" 375A
RK8-RV375A-HOSE	Braided Hose Kit, 8" and 10" 375A Relief Valve
RK8-RV-ASSY	Relief Valve Assembly Repair Kit, 8" and 10" 375A
10"	
10-BK	Flanged Kit, 10"

MODEL 375A and 375

Reduced Pressure Principle – Backflow Preventers 375A (2-1/2" to 10") and 375 (4" to 10")

Parts Drawing



RELIEF VALVE - 2-1/2" to 10"

Models 375, 375A, 375AST, 475 and 475V



Repair Kit Components		2-1/2" - 6"					8" and 10"			
Item #	Item Description	RK212-375	RK212-375R	RK212-375RVCI	RK212-RV-COVER	RK212-RV-PLUNGER	RK8-375	RK8-375R	RK8-375RVCI	RK8-RV-COVER
1	Bolt, Cover				● (x6)					● (x6)
2	Cover				●					●
3	O-Ring, Upper Plunger	●	●	●			●	●	●	
4	Upper Plunger			●		●			●	
5	Diaphragm	●	●	●			●	●	●	
6	Lower Plunger			●		●			●	
7	Seal Ring	●	●	●			●	●	●	
8	Seal Retainer			●					●	
9	Washer			●					●	
10	Bolt			●					●	
11	Relief Valve Spring	●		●			●		●	
12	Relief Valve Seat			●					●	
13	O-Ring, Relief Valve Seat	●	●	●		●	●	●	●	
14	O-Ring, Relief Valve	●	●	●			●	●	●	
	Sensing Tube Fitting				●					●

Item No.	Repair Kit Description
2-1/2" - 6"	
RK212-375	Complete Relief Valve Repair Kit, 2-1/2" - 6"
RK212-375R	Relief Valve Rubber Repair Kit, 2-1/2" - 6"
RK212-375RVCI	Relief Valve Complete Internals Repair Kit, 2-1/2" - 6"
RK212-RV-COVER	Relief Valve Cover Repair Kit 2-1/2" - 6"
RK212-RV-PLUNGER	Relief Valve Plunger Repair Kit 2-1/2" - 6"
8" and 10"	
RK8-375	Complete Relief Valve Repair Kit, 8" and 10"
RK8-375R	Relief Valve Rubber Repair Kit, 8" and 10"
RK8-375RVCI	Relief Valve Complete Internals Repair Kit, 8" and 10"
RK8-RV-COVER	Relief Valve Cover Repair Kit 8" and 10"

RELIEF VALVE - 2-1/2" to 10"

Models 375, 375A, 375AST, 475 and 475V

Parts Drawing

