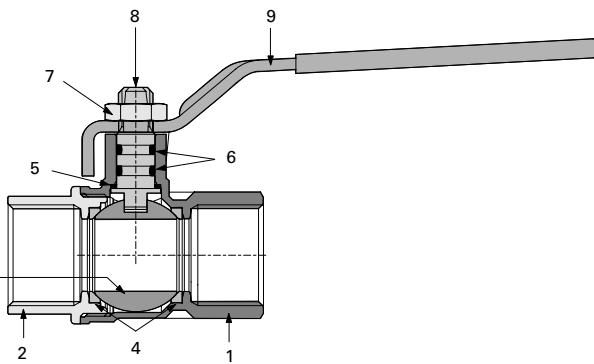
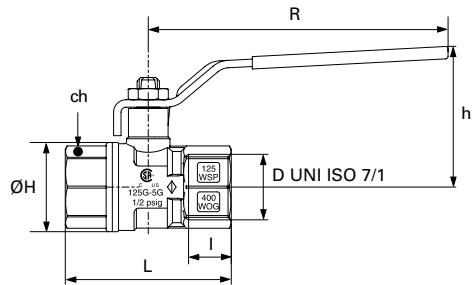


Shut Off Valves, Ball Valve

- D** Absperrarmaturen, Kugelhahn
- F** Vannes d'Arrêt, Robinets à boisseaux sphériques



Parts List/Bauteil-Spezifikation/Caractéristiques Techniques

Nr.	Description Umschreibung Description	Material Matériau
1	Body/Gehäuse/Corps	Brass, Nickel Plated/Messing vernickelt/Laiton nickelé
2	End Connection/Abgang/Raccordement	Brass, Nickel Plated/Messing vernickelt/Laiton nickelé
3	Ball/Kugel/Sphère	Brass, Nickel Plated/Messing vernickelt/Laiton nickelé
4	Ball Seat/Kugeldichtung/Siège de sphère	PTFE
5	Antifriction Seat/Lagersitz/Siège anti-friction	PTFE
6	O-ring/O-Ring/Joint O-ring	NBR
7	Nut/Mutter/Ecrou	Steel, Nickel Plated/Chromstahl/Acier nickelé
8	Stem/Spindel/Axe	Steel, Zinc Plated/Stahl verzinkt/Acier zingué
9	Handle/Handhebel/Poignée	Steel, Zinc Plated and Plastic Cover/Stahl verzinkt mit Kunststoffüberzug/Acier zingué manchette plastique

Model 1610 Ball Valve Full Bore/Modell 1610 Kugelhahn, Voller Durchgang/Boisseau sphérique passage intégral

Art. Nr.	DN	PN [Bar]	I mm	L mm	H mm	CH mm	R mm	h mm	Kv	Q _g Kg	CE	UL	FM
1610000130	8	1/4" BSP	64	11	52	23	20	95	48	5.4	0.14	✓	✓
1610000170	10	3/8" BSP	64	11	52	23	20	95	48	6	0.13	✓	✓
1610000210	15	1/2" BSP	30	15	59	30	25	96	48	16	0.17	✓	✓
1610000270	20	3/4" BSP	30	16	67	36	31	121	57	30	0.29	✓	✓
1610000340	25	1" BSP	30	19	82	44	38	121	59	43	0.44	✓	✓
1610000420	32	1.1/4" BSP	25	22	94	53	48	151	73	89	0.76	✓	✓
1610000480	40	1.1/2" BSP	25	22	103	65	54	151	79	230	1.02	✓	✓
1610000600	50	2" BSP	25	26	123	80	67	170	94	265	1.75	✓	✓

Ball Valve with Locking Device/Kugelhahn mit Verriegelung/Boisseau sphérique cadennassable

Art. Nr.	DN	Q _g Kg
1610LD210	15 1/2" BSP	0.37
1610LD270	20 3/4" BSP	0.49
1610LD340	25 1" BSP	0.64
1610LD420	32 1.1/4" BSP	0.96
1610LD480	40 1.1/2" BSP	1.22
1610LD600	50 2" BSP	1.95

TYCEGFF08/05 Tyco reserves the right to change the contents without notice