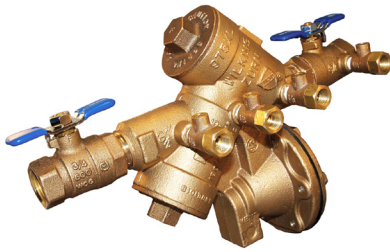


SPECIFICATION SUBMITTAL SHEET



FEATURES

- Sizes: 3/4" 1" 1 1/4" 1 1/2" 2"
- Maximum working water pressure 175 PSI
 Maximum working water temperature 180°F
 Hydrostatic test pressure 350 PSI
 End connections Threaded ANSI B1.20.1

OPTIONS

(Suffixes can be combined)

- with full port QT ball valves (standard)
- L - less ball valves
- U - with union ball valves
- MS - with integral relief valve monitor switch
- P - for reclaimed water systems
- S - with bronze "Y" type strainer
- BMS - with battery operated monitor switch
- FDC - with fire hydrant connection; 2" only
- TCU - with test cocks up
- V - with union swivel elbows (3/4" & 1")
- SE - with street elbows
- FT - with integral male 45° flare SAE test fitting

ACCESSORIES

- Air gap (Model AG)
- Repair kit (rubber only)
- Thermal expansion tank (Model XT)
- Soft seated check valve (Model 40XL)
- Shock arrester (Model 1250)
- QT-SET Quick Test Fitting Set
- Ball valve handle locks
- Test Cock Lock (Model TCL24)

DIMENSIONS & WEIGHTS (do not include pkg.)

MODEL SIZE	DIMENSIONS (approximate)																WEIGHT				
	A		A UNION BALL VALVES		B LESS BALL VALVES		C		D		E		F		G		LESS BALL VALVES		WITH BALL VALVES		
	in.	mm	in.	mm	in.	mm	in.	mm	in.	mm	in.	mm	in.	mm	in.	mm	lbs.	kg	lbs.	kg	
3/4	20	12	305	13 3/4	349	7 3/4	197	2 1/8	54	3	76	3 1/2	89	5	127	16 1/8	410	10	4.5	12	5.5
1	25	13	330	14 1/2	368	7 3/4	197	2 1/8	54	3	76	3 1/2	89	5	127	17 3/8	441	10	4.5	14	6.4
1 1/4	32	17	432	18 13/16	478	10 15/16	278	2 3/4	70	3 1/2	89	5	127	6 3/4	171	22 9/16	573	22	10	28	12.7
1 1/2	40	17 3/8	441	19 3/8	492	10 15/16	278	2 3/4	70	3 1/2	89	5	127	6 3/4	171	24 1/16	611	22	10	28	12.7
2	50	18 1/2	470	20 1/2	521	10 15/16	278	2 3/4	70	3 1/2	89	5	127	6 3/4	171	26 1/2	673	22	10	34	15.4

APPLICATION

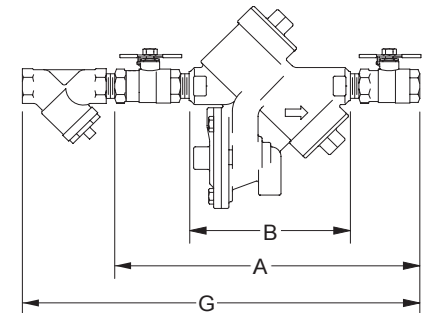
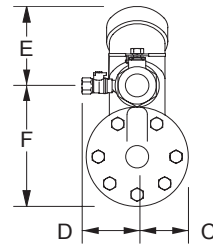
Designed for installation on potable water lines to protect against both backsiphonage and backpressure of contaminated water into the potable water supply. Assembly shall provide protection where a potential health hazard exists.

STANDARDS COMPLIANCE

- ASSE® Listed 1013
- IAPMO® Listed
- UL® Classified (less shut-off valves or with OS&Y valves)
- C-UL® Classified
- CSA® Certified
- AWWA Compliant C511
- Approved by the Foundation for Cross Connection Control and Hydraulic Research at the University of Southern California
- NYC MEA 425-89-M VOL 3

MATERIALS

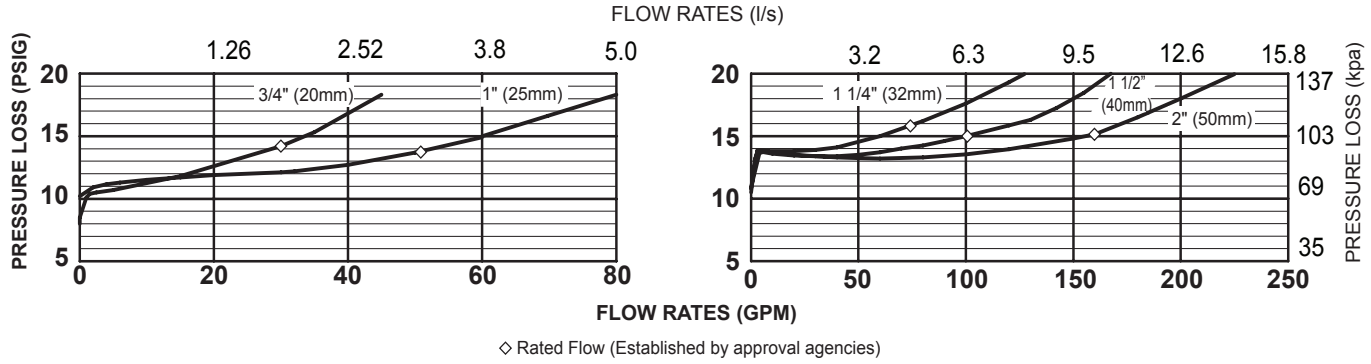
- Main valve body Cast Bronze ASTM B 584
- Access covers Cast Bronze ASTM B 584
- Fasteners Stainless Steel, 300 Series
- Elastomers Silicone (FDA Approved)
Buna Nitrile (FDA Approved)
- Polymers Noryl™, NSF Listed
- Springs Stainless steel, 300 series



Relief Valve discharge port:
 3/4" - 1" - 0.63 sq. in.
 1 1/4" - 2" - 1.19 sq. in.

FLOW CHARACTERISTICS

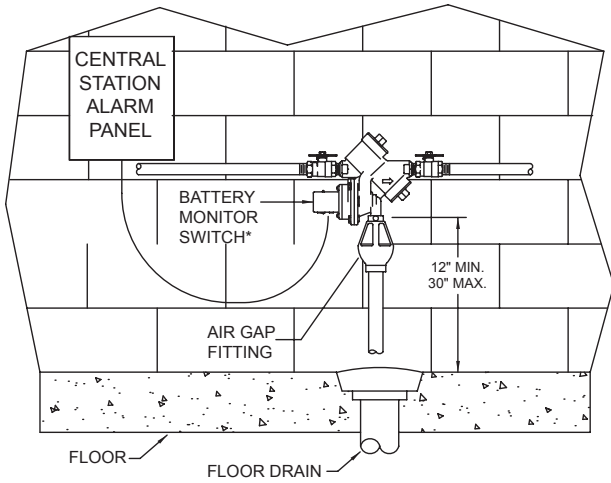
MODEL 975XL 3/4", 1", 1 1/4", 1 1/2" & 2" (STANDARD & METRIC)



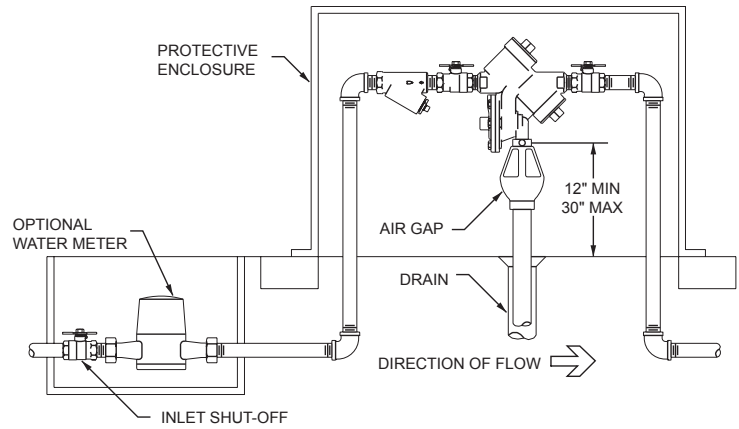
TYPICAL INSTALLATION

Local codes shall govern installation requirements. To be installed in accordance with the manufacturers' instructions and the latest edition of the Uniform Plumbing Code. Unless otherwise specified, the assembly shall be mounted at a minimum of 12" (305mm) and a maximum of 30" (762mm) above adequate drains with sufficient side clearance for testing and maintenance. The installation shall be made so that no part of the unit can be submerged.

Capacity thru Schedule 40 Pipe				
Pipe size	5 ft/sec	7.5 ft/sec	10 ft/sec	15 ft/sec
1/8"	1	1	2	3
1/4"	2	2	3	5
3/8"	3	4	6	9
1/2"	5	7	9	14
3/4"	8	12	17	25
1"	13	20	27	40
1 1/4"	23	35	47	70
1 1/2"	32	48	63	95
2"	52	78	105	167



DIRECTION OF FLOW ⇒⇒
INDOOR INSTALLATION
 (*Shown w/ optional BMS)



OUTDOOR INSTALLATION

SPECIFICATIONS

The Reduced Pressure Principle Backflow Preventer shall be ASSE® Listed 1013, rated to 180°F and supplied with full port ball valves. The main body and access covers shall be bronze (ASTM B 584), the seat ring and all internal polymers shall be NSF® Listed Noryl™ and the seat disc elastomers shall be silicone. The first and second checks shall be accessible for maintenance without removing the relief valve or the entire device from the line. If installed indoors, the installation shall be supplied with an air gap adapter and integral monitor switch. The Reduced Pressure Principle Backflow Preventer shall be a WILKINS Model 975XL.