



Pressurization units for sprinkler system designed according to European standard EN 12845 The European Standard EN 12845 stated that units must be set up with:

- 1 electrical pump
- 1 diesel pump
- 2 electrical pumps
- 1 electrical pump + 1 diesel pump
- 2 diesel pumps
- 1 electrical pump + 2 diesel pumps
- 3 diesel pumps.

DAB pump sets are manufactured according to a modular design that allows to arrange all groups' version expected by Standard EN 12845.

DAB supply modular booster sets in four version:

- 1 KDN EN, composed by 1 electropump
- 1 KDN EN-JET, composed by 1 electropump + 1 jockey pump.
- 1 KDN MD EN; composed by 1 Diesel pump
- 1 KDN MD EN-JET, composed by 1 diesel pump + 1 jockey pump

To arrange all versions (booster with 2- 3 pumps) we supply the Joint manifold kits as accessory, the kit must be assembled between the delivery manifolds of the two single units.

Main components:

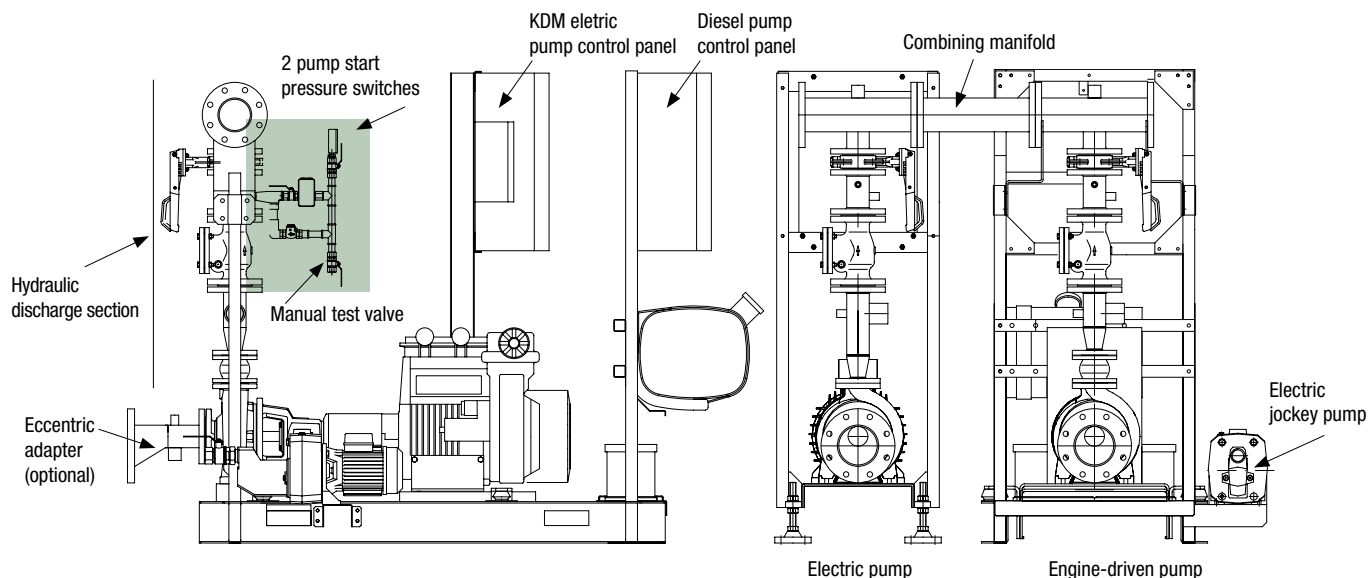
- Eccentric connection unit fixed on independent suction port of the pump.
- Standardised centrifugal pumps KDN series (with spacer coupling) with performance and construction according to EN 12845 standard

- Electrical or diesel motor able to supply the maximum power absorbed by the pump
 - Detection of diesel engine rotation (speed sensor)
 - one control panel for each pump, completed with voltmeters and ammeters, 2 starting batteries, 2 battery charge control units, rev counter, hour counter, Man-O-Aut selector, general switch, warning lights.
 - control panel for jockey pump (if present).
 - fuel diesel tank with capacity to guarantee 6 hours of operation (only for diesel version).
 - check valves
 - Jockey pump (if required) JET or KVCX series, for little pressure drop, complete with 1 expansion tank.
 - flow meter (optional) to be installed on delivery manifold.
 - galvanised steel base
 - galvanised steel delivery manifold complete with starting pressure switches, by-pass circuits and pressure gauge
- According to EN 12845, the user shall carry out a program of inspection and check, arrange test, service and maintenance schedule and keep records on a book which shall be kept in the premises.
The installer shall provide the user with a documented inspection and checking procedure, with particular mention to emergency manual starting of pumps.

DAB supplies, together with fire fighting boosters, a list of all inspections and checks required by EN 12845. The Declaration of Conformity to Standard EN 12845 is provided with each group.



EN ELECTRIC PUMP EN ENGINE-DRIVEN PUMP



TECHNICAL DATA - 1 KDN PUMPS

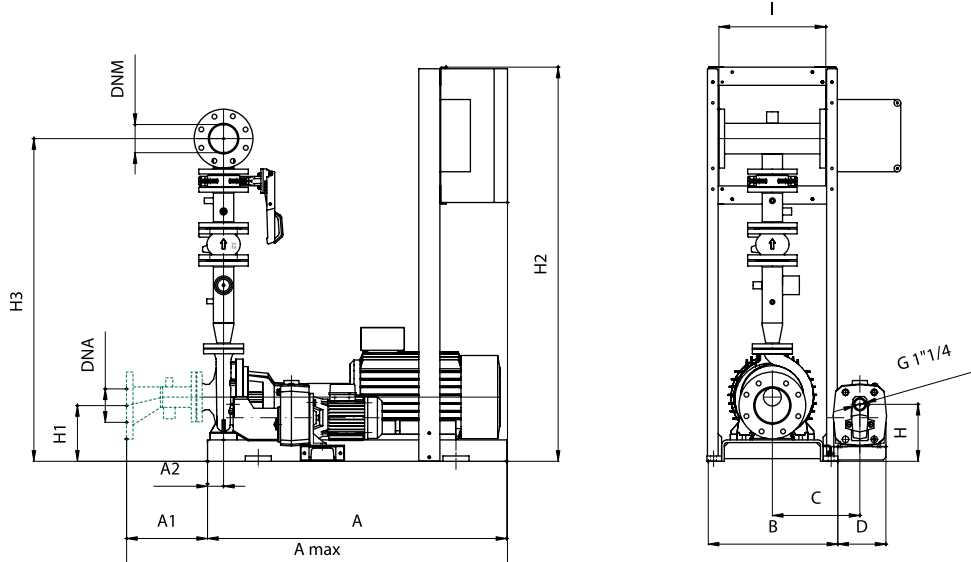
1 KDN

MODEL	CODE
1KDN 32-160/177 5,5 T400/50 EN 12845	500813010
1KDN 32-200.1/207 7,5 T400/50 EN 12845	500813020
1KDN 32-200/180 5,5 T400/50 EN 12845	500813030
1KDN 32-200/200 7,5 T400/50 EN 12845	500813040
1KDN 32-200/219 11 T400/50 EN 12845	500813050
1KDN 32-250/250 11 T400/50 EN 12845	60122035
1KDN 32-250/259 15 T400/50 EN 12845	60122037
1KDN 40-160/161 7,5 T400/50 EN 12845	500813110
1KDN 40-160/177 11 T400/50 EN 12845	500813120
1KDN 40-200/200 11 T400/50 EN 12845	500813130
1KDN 40-200/219 15 T400/50 EN 12845	500813140
1KDN 40-250/230 15 T400/50 EN 12845	500813150
1KDN 40-250/240 18,5 T400/50 EN 12845	500813160
1KDN 40-250/260 22 T400/50 EN 12845	500813170
1KDN 50-160/161 11 T400/50 EN 12845	500813210
1KDN 50-160/177 15 T400/50 EN 12845	500813220
1KDN 50-200/190 15 T400/50 EN 12845	500813230
1KDN 50-200/210 18,5 T400/50 EN 12845	500813240
1KDN 50-200/219 22 T400/50 EN 12845	500813250
1KDN 50-250/230 22 T400/50 EN 12845	500813260
1KDN 50-250/250 30 T400/50 EN 12845	500813270
1KDN 50-250/263 37 T400/50 EN 12845	60122614
1KDN 65-160/153 11 T400/50 EN 12845	500813310
1KDN 65-160/177 15 T400/50 EN 12845	500813320
1KDN 65-200/190 18,5 T400/50 EN 12845	500813330
1KDN 65-200/200 22 T400/50 EN 12845	500813340
1KDN 65-200/219 30 T400/50 EN 12845	500813350
1KDN 65-250/230 30 T400/50 EN 12845	500813360
1KDN 65-250/250 37 T400/50 EN 12845	500813370
1KDN 65-250/263 45 T400/50 EN 12845	500813380
1KDN 80-160/177 30 T400/50 EN 12845	500813410
1KDN 80-200/200 37 T400/50 EN 12845	500813420
1KDN 80-200/222 45 T400/50 EN 12845	500813430
1KDN 80-250/240 55 T400/50 EN 12845	500813440
1KDN 80-250/260 75 T400/50 EN 12845	500813450
1KDN 80-250/270 90 T400/50 EN 12845	500813460
1KDN 100-200/200 45 T400/50 EN 12845	500814010
1KDN 100-200/210 55 T400/50 EN 12845	500814020
1KDN 100-200/219 75 T400/50 EN 12845	500814030
1KDN 100-250/240 75 T400/50 EN 12845	500814040
1KDN 100-250/250 90 T400/50 EN 12845	500814050
1KDN 100-250/260 110 T400/50 EN 12845	500814060

1 KDN + PILOT PUMP

MODEL	CODE
1KDN 32-160/177 5,5 T400/50 EN 12845-JET	500813510
1KDN 32-200.1/207 7,5 T400/50 EN 12845-JET	500813520
1KDN 32-200/180 5,5 T400/50 EN 12845-JET	500813530
1KDN 32-200/200 7,5 T400/50 EN 12845-JET	500813540
1KDN 32-200/219 11 T400/50 EN 12845-JET	500813550
1KDN 32-250/250 11 T400/50 EN 12845 - KVCX	60122036
1KDN 32-250/259 15 T400/50 EN 12845 - KVCX	60122038
1KDN 40-160/161 7,5 T400/50 EN 12845-JET	500813610
1KDN 40-160/177 11 T400/50 EN 12845-JET	500813620
1KDN 40-200/200 11 T400/50 EN 12845-JET	500813630
1KDN 40-200/219 15 T400/50 EN 12845-JET	500813640
1KDN 40-250/230 15 T400/50 EN 12845-JET	500813650
1KDN 40-250/240 18,5 T400/50 EN 12845-JET	500813660
1KDN 40-250/260 22 T400/50 EN 12845-JET	500813670
1KDN 50-160/161 11 T400/50 EN 12845-JET	500813710
1KDN 50-160/177 15 T400/50 EN 12845-JET	500813720
1KDN 50-200/190 15 T400/50 EN 12845-JET	500813730
1KDN 50-200/210 18,5 T400/50 EN 12845-JET	500813740
1KDN 50-200/219 22 T400/50 EN 12845-JET	500813750
1KDN 50-250/230 22 T400/50 EN 12845-JET	500813760
1KDN 50-250/250 30 T400/50 EN 12845-JET	500813770
1KDN 50-250/263 MD EN 12845-KV 3/12	60122615
1KDN 65-160/153 11 T400/50 EN 12845-JET	500813810
1KDN 65-160/177 15 T400/50 EN 12845-JET	500813820
1KDN 65-200/190 18,5 T400/50 EN 12845-JET	500813830
1KDN 65-200/200 22 T400/50 EN 12845-JET	500813840
1KDN 65-200/219 30 T400/50 EN 12845-JET	500813850
1KDN 65-250/230 30 T400/50 EN 12845-JET	500813860
1KDN 65-250/250 37 T400/50 EN KVCX 65-80	500813870
1KDN 65-250/263 45 T400/50 EN KVCX 65-80	500813880
1KDN 80-160/177 30 T400/50 EN KVCX 65-80	500813910
1KDN 80-200/200 37 T400/50 EN KVCX 65-80	500813920
1KDN 80-200/222 45 T400/50 EN KVCX 65-80	500813930
1KDN 80-250/240 55 T400/50 EN KVCX 65-80	500813940
1KDN 80-250/260 75 T400/50 EN KVCX 65-80	500813950
1KDN 80-250/270 90 T400/50 EN KVCX 65-80	500813960
1KDN100-200/200 45 T400/50 EN KVCX65-80	500814510
1KDN100-200/210 55 T400/50 EN KVCX65-80	500814520
1KDN100-200/219 75 T400/50 EN KVCX65-80	500814530
1KDN100-250/240 75 T400/50 EN KVCX65-80	500814540
1KDN100-250/250 90 T400/50 EN KVCX65-80	500814550
1KDN100-250/260 110 400/50 EN KVCX65-80	500814560

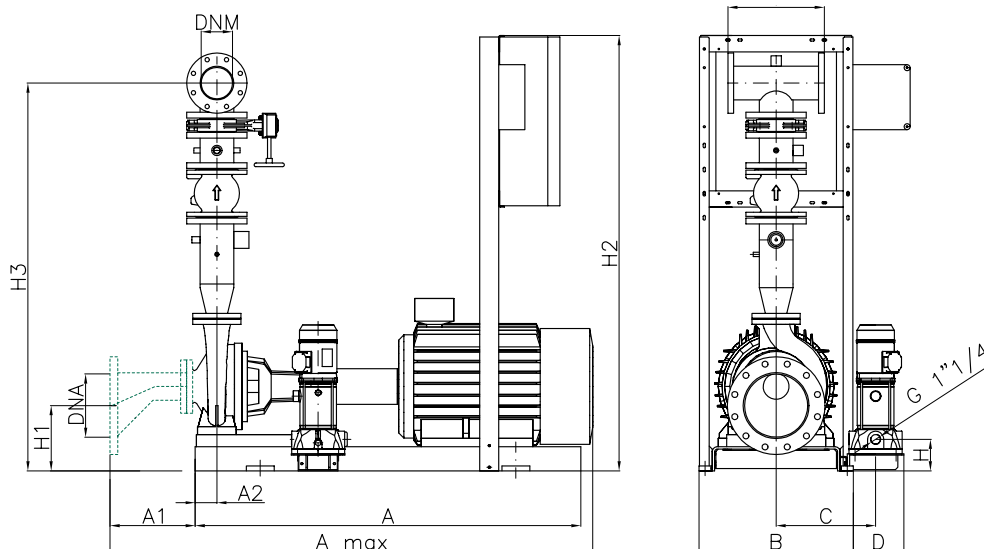
DIMENSIONS AND WEIGHTS - ELECTRIC PUMP MODULE



* COMPONENTS SHOWN WITH A BROKEN LINE ARE NOT INCLUDED IN THE STANDARD SUPPLY

DESCRIPTION		A	Amax	A1	A2	B	C	D	H	H1	H2	H3	I	DNA	DNM	without jockey pump Kg	with jockey pump Kg
1KDN 32-160/177	EN 12845	1000	1280	257	60	450	307	180	220	195	1475	1082	400	80	2"	270	300
1KDN 32-200/207/180/200	EN 12845	1000	1280	257	60	450	307	180	220	223	1475	1132	400	80	2"	320	350
1KDN 32-200/219	EN 12845	1120	1380	257	60	490	327	180	220	223	1475	1132	400	80	2"	350	380
1KDN 40-160/161	EN 12845	1000	1306	283	60	450	307	180	220	195	1475	1142	400	100	2 1/2"	310	340
1KDN 40-160/177	EN 12845	1120	1406	283	60	490	327	180	220	223	1475	1167	400	100	2 1/2"	320	350
1KDN 40-200/200/219	EN 12845	1120	1426	303	60	490	327	180	220	223	1475	1187	400	100	2 1/2"	430	450
1KDN 40-250/230/240/260	EN 12845	1250	1538	288	60	540	352	180	220	243	1475	1252	400	100	2 1/2"	450	480
1KDN 50-160/161/177	EN 12845	1120	1440	316	60	490	327	180	220	212	1475	1230	400	125	80	350	380
1KDN 50-200/190/210	EN 12845	1120	1440	316	60	490	327	180	220	212	1475	1250	400	125	80	420	450
1KDN 50-200/210	EN 12845	1120	1440	316	60	490	327	180	220	232	1475	1270	400	125	80	480	510
1KDN 50-250/230	EN 12845	1250	1550	300	75	540	352	180	220	232	1475	1295	400	125	80	500	530
1KDN 50-250/250	EN 12845	1400	1700	300	75	590	377	180	220	272	1475	1335	400	125	80	550	580
1KDN 65-160/153/177	EN 12845	1120	1145	330	60	490	327	180	220	203	1475	1325	400	150	100	440	470
1KDN 65-200/190/200	EN 12845	1250	1565	315	75	540	352	180	220	223	1475	1365	400	150	100	520	550
1KDN 65-200/219	EN 12845	1400	1715	315	75	590	377	180	200	263	1475	1405	400	150	100	620	650

DIMENSIONS AND WEIGHTS - ELECTRIC PUMP MODULE



* COMPONENTS SHOWN WITH A BROKEN LINE ARE NOT INCLUDED IN THE STANDARD SUPPLY

DESCRIPTION		A	Amax	A1	A2	B	C	D	H	H1	H2	H3	I	DNA	DNM	without jockey pump Kg	with jockey pump Kg
1KDN 65-250/230-250	30-37 EN 12845	1400	1773	289	90	590	388	215	131	260	1800	1434	400	150	100	680	710
1KDN 65-250/263	45KW EN 12845	1400	1828	289	90	590	388	215	131	285	1800	1460	400	150	100	760	790
1KDN 80-160/177	30 KW EN 12845	1400	1743	342	75	590	388	215	131	248	1800	1504	400	200	125	720	750
1KDN 80-200/200	37KW EN 12845	1400	1811	342	75	590	388	215	131	248	1800	1528	400	200	125	750	780
1KDN 80-200/222	45KW EN 12845	1400	1866	342	75	590	388	215	131	273	1800	1553	400	200	125	820	850
1KDN 80-250/240	55KW EN 12845	1600	1976	327	90	640	413	210	131	298	1800	1608	400	200	125	920	950
1KDN 80-250/260-270	75-90 EN 12845	1800	2127	327	95	710	448	210	131	328	1800	1639	400	200	125	1170	1200
1KDN 100-200/200	45KW EN 12845	1400	1922	398	90	590	388	215	131	258	1800	1645	600	250	150	1120	1150
1KDN 100-200/210	55KW EN 12845	1600	2032	383	90	640	413	210	131	283	1800	1670	600	250	150	1200	1230
1KDN 100-200/219	75KW EN 12845	1800	2183	383	90	710	448	210	131	313	1800	1700	600	250	150	1280	1310
1KDN 100-250/240-250	75-90 EN 12845	1800	2198	398	90	710	448	210	131	313	1800	1700	600	250	150	1320	1350
1KDN 100-250/260	110KW EN 12845	2000	2447	398	90	860	523	210	131	368	1800	1755	600	250	150	1430	1460