

FIRE HYDRANTS VALVES

Description	Model	Size in	Size out
Threaded Hydrant	420	2"	2"
Threaded Hydrant	430	3"	3"
Flanged Hydrant	433*	3"	3"
Flanged Hydrant	443	4"	3"
Twin Faced Flanged Hydrant	3433	4"	2*3"
Twin Faced Flanged Hydrant	3633	6"	2*3"
Breaking Device	7041	4"	4"
Breaking Device	7061	6"	6"
Post 700 mm Flanged End		4"	3"
Post 700 mm Flanged End		4"	4"
Post 550 mm Flanged End		4"	4"
Post 550 mm Flanged End		6"	6"
Stand-Post Fire Hydrant Flanged		4"	3"
Stand-Post Fire Hydrant Twin Faced		4"	2*3"
Stand-Post Fire Hydrant Twin Faced		6"	2*3"

Coating
Polyester- PPA-571-Ral 3020. min 100 mic. UV Resistance

Hydrant



Post

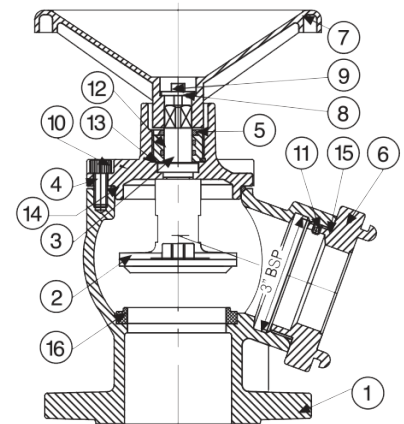


Breaking Device



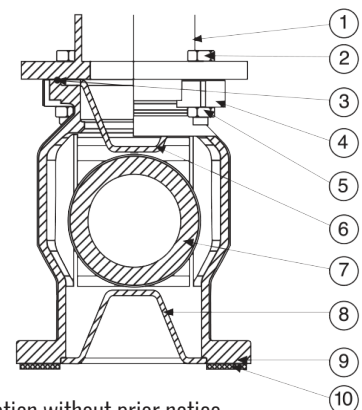
Materials

Item	Description	Material
1	Body	Cast Iron ASTM A 48 CL 25A
2	Sealing Disc	Cast Iron/ Brass EPDM / NBR Vulcanized
3	Stem	SS416
4	Cover	Cast Iron ASTM A 48 CL 25A
5	locking Bush	Brass
6	Threaded Coupling	Al Mg Si ISO 3522
7	Handwheel	Cast Iron
8	Washer	Steel Galvanized
9,10,11	Bolt	Steel Galvanized
12,13,14,15	O ring	EPDM/ NBR
16	Body Seat Ring	Bronze



Materials

Item	Description	Material
1	Body	Cast Iron ASTM A 48 CL 25A
2	Bolt	Steel Galvanized
3	O ring	EPDM/ NBR
4	Breaking Catcher	Brass
5	Nut	Steel Galvanized
6	Ball Holder	Steel Galvanized
7	Ball	Polycarbonate EPDM/ NBR Vulcanized
8	Ball Holder	Steel Galvanized
9	Breaking Device Body	Cast Iron ASTM A 48 CL 25A
10	Seal	EPDM/ NBR



Note: Due to company's policy of continuous improvement, Hakohav Valves reserves the right to change specification without prior notice.

Dimensions

