

QUIKDROP

STYLE 50S FLEXIBLE SPRINKLER HOSE CONNECTION
(for commercial suspended ceilings)



Quikdrop style 50S

Quikdrop is supplied as a complete connection unit, consist of S.S 304 corrugated flexible hose with accessories (nipple, support bar, brackets)

The quikdrop unit, enable easy and quick installation of the flexible hose to the ceiling tile support rails while locating the sprinkler in the desire position.

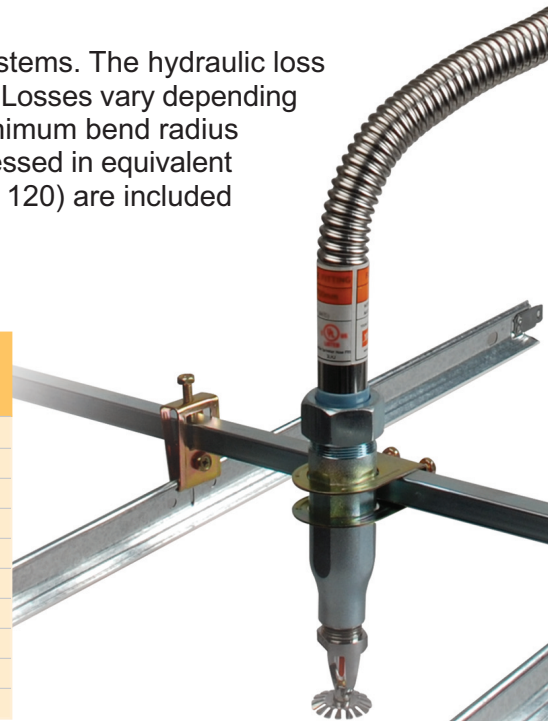
Flexible sprinkler hose fittings may be use in wet, precaution, deluge or dry pipe sprinkler systems between the branch line and sprinkler when installed in accordance with NFPA 13, "Standard for the installation of Sprinkler Systems", NFPA 13R "Standard for the installation of Sprinkler Systems in Residential Occupancies up to four Stories in Height". And NFPA 13D, 'Standard for the installation of Sprinkler Systems in one-and Two Family Dwelling and Mobile Homes'.

A flexible sprinkler hose fitting consists of a flexible hose, inlet fitting for connection to the branch line, outlet fitting for connection to the sprinkler and a mounting bracket.

These fittings are intended for use in hydraulically designed sprinkler systems. The hydraulic loss of these fittings needs to be included in the hydraulic design calculations. Losses vary depending on the installed configuration. The allowable number of bends with a minimum bend radius of 5 in (125mm) for each model and the associated pressure losses expressed in equivalent length in feet of 1 in. diameter schedule 40 steel pipe (with a C-factor of 120) are included in the following table

Data: Equivalent Length of 1 in. Schedule 40 steel Pipe

Model	Nom. Inlet x outlet Size [in]	Assembly length [mm]	Max No. of 90 Degree bends	Min bend Radius [in]	Equivalent Length of 1 in. Schedule 40 steel pipe
ST 50S-700	1x1/2	700	1	5	26
ST 50S-1000	1x1/2	1000	1	5	36
ST 50S-1200	1x1/2	1200	3	5	67
ST 50S-1500	1x1/2	1500	3	5	84
ST 50S-1800	1x1/2	1800	3	5	101
ST 50S-700	1x3/4	700	1	5	32
ST 50S-1000	1x3/4	1000	1	5	42
ST 50S-1200	1x3/4	1200	3	5	73
ST 50S-1500	1x3/4	1500	3	5	77
ST 50S-1800	1x3/4	1800	3 </tr		

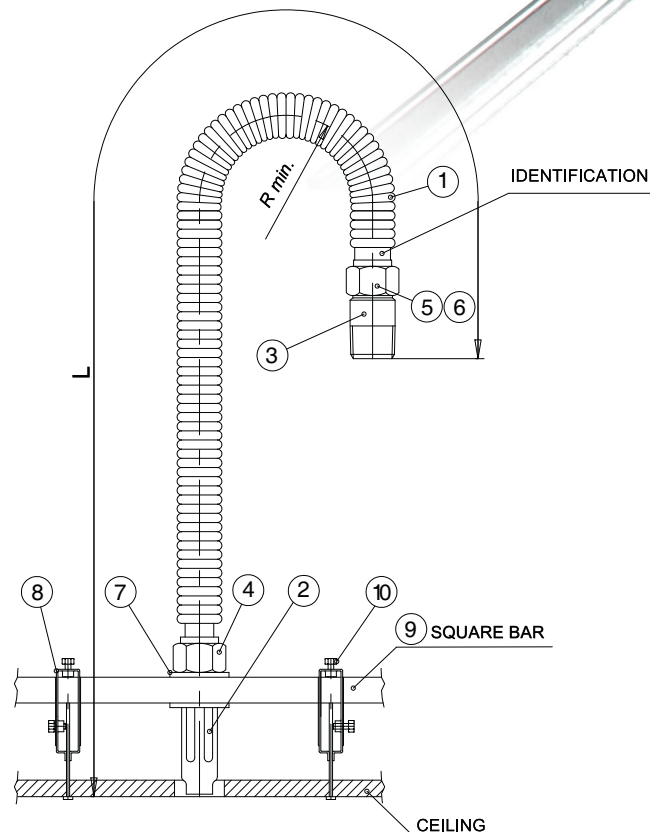


Length dimensions

Length	Permission Tolerance
700L	± 20mm
1000L	± 30mm
1200L	± 35mm
1500L	± 45mm
1800L	+ 25 - 50mm

Part list

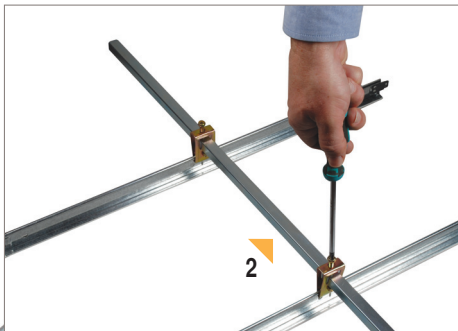
Item No.	Description	Material	QTY	Remarks
1	Flexible Tube	STS304	1	ASTM A666
2	Reducer	SPHT2	1	JIS G 3454
1-2	Reducer	SPHT2	1	JIS G 3454
3	Nipple	SPHT2	1	JIS G 3454
4	Nut	SWRM6K	1	JIS G 3505
5	Isolation Ring	Polymamide6	1	6-NYLON
6	O-Ring	KNB0230L	1	KNB0230L
7	Bracket L	SPCC	1	KS D 3512 (ASTM A109)
8	Bracket S	SPCC	2	KS D 3512 (ASTM A109)
9	Stock bar	SGCC	1	KS D 3506 (ASTM A653)
10	Bolt	SWCH 10A	4	ASTM A307



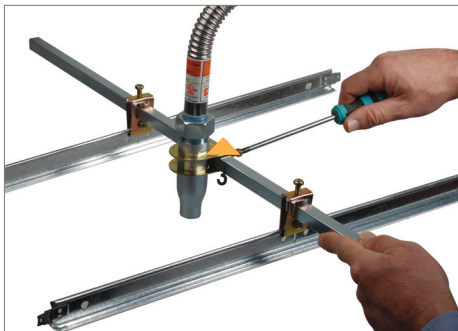
Installation guide



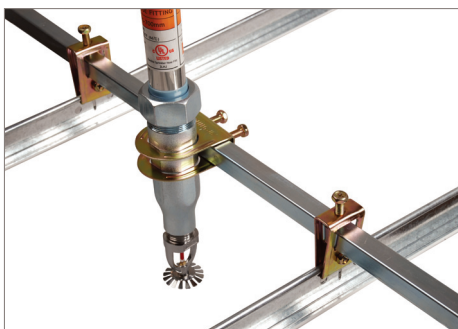
- 1 ▶ Connect the nipple to the water branch line. Connect sprinkler flexible hose to nipple. Apply an aerobic pipe joint compound or Teflon tape to the branch line threads of the nipple. Secure firmly with pipe wrench for leak proof connection (Main Pipe+ Nipple torque: 850-900Kg.cm Nut + Nipple Nut + Reducer Torque:290Kg.cm).



- 2 ▶ Assemble the supplied bracket and square bar as shown in the picture and attach the square Bar to the T-bar with supplied brackets and bolts considering the horizontal location of the sprinkler head. At this stage of installation, bolts needs to be fastened loosely. (bracket (S) Torque: 45Kg.cm).



- 3 ▶ Verify that the reducer is located in the correct intended position before securing the bracket. Check and adjust the reducer position by moving vertically and horizontally along the square Bar. The distance in between the end of spiral of reducer and the side of bracket (L) shall keep over than minimum 20mm [Bracket (L) torque: 65Kg.cm] when assemble the reducer through the bracket (L). Tighten all the bolts securely and evenly.



- 4 ▶ Connect sprinkler head to the reducer. Apply an un-aerobic pipe joint compound or Teflon taps to the NPT male threads of the sprinkler head according to the sprinkler head manufacture's instruction. Conduct pressure test





- ▶ **Available Products Length and Type**
 - 700mm, 1000mm, 1200mm, 1500mm, 1800mm
 - Non-braided Type
- ▶ **Max Working Pressure**
 - 14Kg.cm (200psi)
- ▶ **Maximum Number of Bends**
 - ST 50S-700, 1000: 1 max 90 degree bend
 - ST 50S -1200, 1500, 1800: 3 max 90 degree
- ▶ **K-Factor**
 - Largest K-factor 1/2inch Outlet: 8.0 gpm/sqr (psi)
 - Largest K-factor 3/4inch Outlet: 14.00 gpm/sqr (psi)
- ▶ **Intended Use For Direct Connection To Fire Sprinklers**
- ▶ **The Hose And Fittings Have Limited Flexibility**
- ▶ **Available Square Bar Length**
 - 700mm to 1500mm
- ▶ **Max. Ambient Temperature**
 - 150°F
- ▶ **Minimum Installation Bending Radius**
 - 125mm (5in)
- ▶ **Bracket(S) Torque**
 - -45 Kg.cm
- ▶ **Bracket(L) Torque**
 - -65 Kg.cm
- ▶ **Nut+Nipple/Reducer Torque**
 - -290Kg.cm
- ▶ **System - Dry & Wet System**

A suspended ceiling used with the flexible hose with fittings shall be designed to resist upward movement when vertical load are applied (interlocking) and constructed to support the applied flexible hose loads. Products are intended to be used with ceiling having construction and structural integrity characteristics equivalent to intermediate and heavy duty ceilings described in the Standard for the Manufacture, Performance and Testing of Metal Suspension Systems for Acoustical Tile and Lay-in Panel Ceilings, ASTM C635 and standard Practice for Installation of Metal Ceiling Suspension Systems for Acoustical Tile and Lay-in Panels , ASTM C636 may be used



Modgal Metal (99) Ltd.
Modgal Metal (99) Ltd.
P.O.B. 63 Rosh Pina 12000, ISRAEL
Tel. +972-4-6914222
Fax. +972-4-6914202
email: modgalmetal@modgal-metal.com
www.modgalmetal.com