



M Range

“A small, compact pump that is specially designed to handle a wide variety of light industrial applications”.

Typical Applications

Capacity	up to 3,130 l/h	<ul style="list-style-type: none"> • Cellar drainage • Septic tank/cess pit emptying
Pressure	up to 3.45 bar	<ul style="list-style-type: none"> • Garden sprinkler systems/irrigation
Temperature	up to 70°C	<ul style="list-style-type: none"> • Water supply/sampling from wells, streams and rivers • Diesel • Water based inks • Vegetable oils • Non-aggressive chemicals

Compact design

In this sense Mono ‘M’ means ‘mini’. The largest model in the range occupies little more than half a cubic foot of space, and requires less than half as much again for in-situ dismantling and maintenance.

Pumping principle

A helical rotor revolves eccentrically within a resilient double helix stator of twice the pitch. The rotor turning within the stator forms cavities which progress uniformly from suction to discharge, carrying the material with them.

Reliable performance

The Mono M range will satisfy the toughest duties. Just like the larger industrial pumps that have a long record of success in all sorts of demanding duties, the M range can handle viscous liquids and random solids. It features an abrasion and chemical resistant stator, a precision-engineered stainless steel rotor, a mechanically sealed drive shaft and a close-grained cast iron pump housing.

Easy maintenance

Space isn’t the only economy with the Mono M range. Being simply designed and easily dismantled, maintenance work is minimal, requiring no special skills or tools.

Positive pumping action

To ensure steady output pressure and non-pulsing flow with minimal slippage, the pump operates on the progressing cavity pumping principle. A very useful feature when pumping heating oil to burner nozzles, for example.

Self-priming

Fully self-priming, the Mono M range achieves suction lifts up to 26ft (8m). This means that it can be mounted accessibly and well clear of the liquid level.

Smooth, silent running

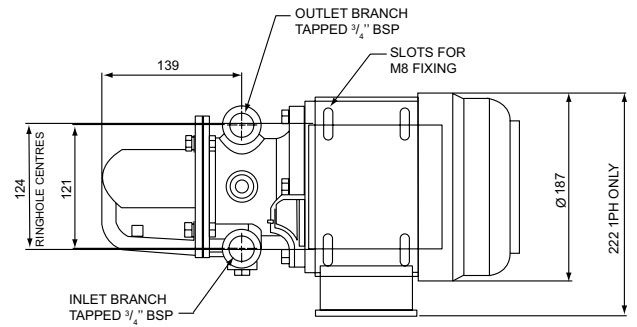
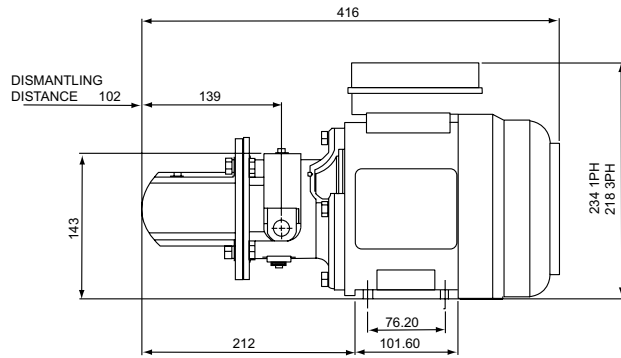
The pump’s smooth action and resilient rubber stator ensure quiet running - a very desirable feature for domestic installations.

Mono[®] 

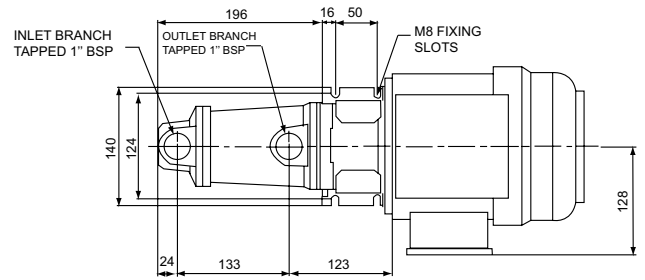
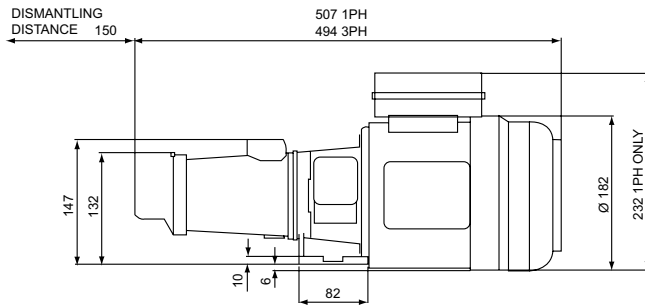
One Company, Unlimited Solutions

Dimensions

MS



MM/ML



* All dimensions in mm's, (unless otherwise stated) and for guidance only. Please contact Mono for full certified drawings.

Performance Data

Pump	r.p.m.	0 bar		1.4 bar		2.4 bar		2.75 bar		3.45 bar		Weight kg
		0lb/in ²		20lb/in ²		35lb/in ²		40lb/in ²		50lb/in ²		
		l/h	gal/h	l/h	gal/h	l/h	gal/h	l/h	gal/h	l/h	gal/h	
MS	1450	750	165	500	110	409	90	386	85	318	68	16
MM	1450	1590	350	1250	275	1050	231	1000	220	900	198	27
ML	2850	3130	690	2470	543	2040	450	1890	416	1590	350	27

Drive Motor Details

MS	0.18kW Single/Three Phase	115/230/400V
MM	0.37kW Single/Three Phase	115/230/400V
ML	0.55kW Three Phase	400V
ML	0.75kW Single Phase	115/230V

Suction Lifts

Pump	m	ft
MS	8	26
MM	7.5	25
ML	5.5	17.5

* All motors supplied with IP55 enclosure as standard, with others available



Published information other than that marked CERTIFIED does not extend any warranty or representation, expressed or implied, regarding these products. Any such warranties or other terms and conditions of sales and products shall be in accordance with Mono Pumps Limited standard terms and conditions of sale, available on request.

© Mono Pumps Limited October 2008 Literature reference: SLMP/025/01/R7

Mono® is a registered trademark of Mono Pumps Ltd.
Registered in England No 300721

Mono® **NOV**

One Company, Unlimited Solutions