



Automatic stations for collecting and lifting domestic waste water from bath tubs, wash basins, showers and washing machines located in basements or below the level of the sewage network.

Equipped with a NOVA 300 electropump with 5 metres of power cable and plug mounted on a technopolymer plate, a 30-litre container in technopolymer and a check valve on delivery.

Supplied with pump already assembled, ready to use.

Operating range: from 1 to 7,2 m³/h with head up to 6.9 metres.

Liquid temperature range: +50°C +90°C for a max. time of 3 min.

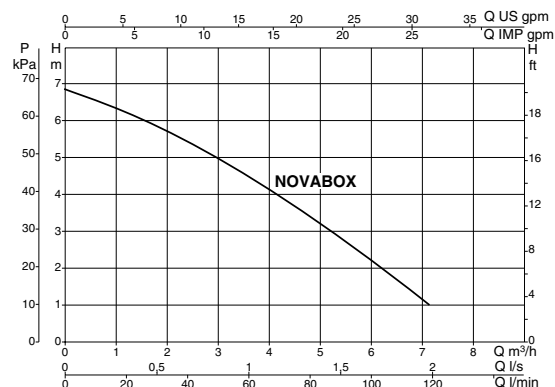
Pumped liquid: waste water free from solids and/or fibres.

Pump motor protection level: IP 68.

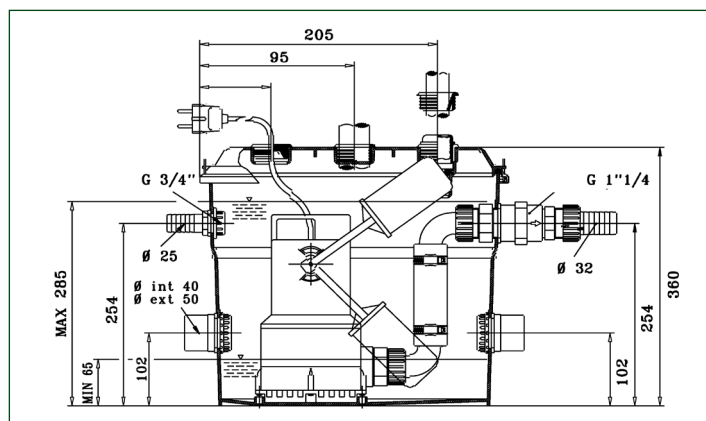
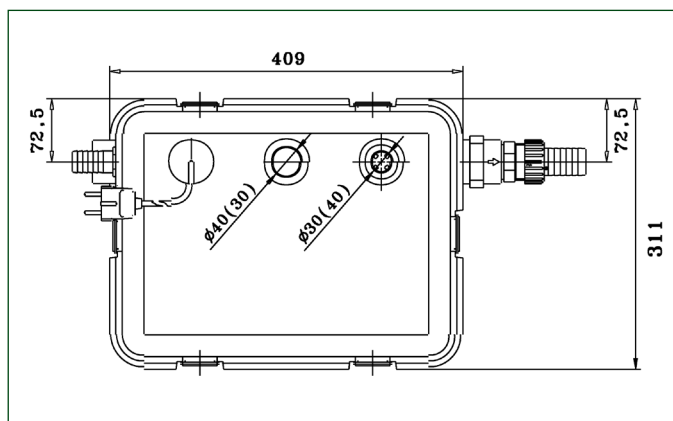
Motor insulation class: F.

TECHNICAL DATA

MODEL	CODE	ELECTRICAL DATA						
		VOLTAGE 50 HZ	P1 MAX kW	P2 NOMINAL		IN A	CAPACITOR	
				kW	HP		µF	Vc
NOVABOX 30/300.1M	503110304	1x220-240V ~	0,29	0,22	0,3	1,3	8	450
NOVABOX 30/300.1M - SV	503110334	1x220-240V ~	0,29	0,22	0,3	1,3	-	-



DIMENSIONS AND WEIGHTS



MODEL	A	B	C	D	E	F	H	H1	H2	PACKAGING DIMENSIONS			WEIGHT KG
										L/A	L/B	H	
NOVABOX 30/300.1	407	309	94	204	314	72	360	100	254	45	33	38	9,2