

Class 125 Bronze Check Valves

Horizontal Swing • Regrinding Type • Y-Pattern
 • Renewable Seat and Disc

125 PSI/8.6 Bar Saturated Steam to 353° F/178° C
200 PSI/13.8 Bar Non-Shock Cold Working Pressure

CONFORMS TO MSS SP-80

MATERIAL LIST

PART	SPECIFICATION
1. Bonnet	Bronze ASTM B 62
2. Body	Bronze ASTM B 62
3. Hinge Pin	Bronze ASTM B 140 Alloy C31400 or B 134 Alloy C23000
4. Disc Hanger	Bronze ASTM B 62 or 304 Stainless Steel ¼" thru ¾" sizes
5. Hanger Nut	Bronze ASTM B 16
6. Disc Holder	Bronze ASTM B 62
7. Seat Disc	Water, Oil or Gas (Buna-N) (W) Steam (PTFE) (Y) Bronze ASTM (B) FKM (V) B 62 C83600
8. Seat Disc Nut	Bronze ASTM B 16 or B 62
9. Hinge Pin Plug	Bronze ASTM B 140 Alloy C31400 (not shown)
10. Seat Disc Washer*	ASTM B 98 Alloy C65500 or ASTM B 103

* Sizes ¾", 1", 1¼", 1½" and 2" only.

DIMENSIONS—WEIGHTS—QUANTITIES

Size	Dimensions						T-413		S-413		Master Ctn. Qty.
	A	B	C	T-413	S-413	Lbs.	Kg.	Lbs.	Kg.		
In. mm.	In. mm.	In. mm.	In. mm.	Lbs.	Kg.	Lbs.	Kg.	Lbs.	Kg.		
¼ 8	2.13 54	1.63 41	1.38 35	0.50 0.23	0.23 0.51	0.23 0.51	0.23 0.51	50			
⅜ 10	2.13 54	1.63 41	1.31 33	0.47 0.22	0.22 0.48	0.22 0.48	0.22 0.48	50			
½ 15	2.44 62	1.69 43	1.50 38	0.55 0.25	0.25 0.55	0.25 0.55	0.25 0.55	50			
¾ 20	2.94 75	1.88 48	1.88 48	0.90 0.41	0.41 0.88	0.40 0.88	0.40 0.88	50			
1 25	3.56 90	2.31 59	2.25 57	1.46 0.66	0.66 1.48	0.67 1.48	0.67 1.48	30			
1¼ 32	4.19 106	2.69 68	2.75 70	2.17 0.99	0.99 2.22	1.01 2.22	1.01 2.22	20			
1½ 40	4.50 114	2.94 75	1.13 79	2.95 1.34	1.34 3.00	1.36 3.00	1.36 3.00	10			
2 50	5.25 133	3.94 100	3.75 95	4.79 2.17	2.17 4.87	2.21 4.87	2.21 4.87	10			
2½* 65	8.00 203	5.06 129	5.06 129	11.48 5.21	5.21 10.48	4.76 10.48	4.76 10.48	5			
3* 80	9.25 235	6.25 159	6.25 159	17.53 7.96	7.96 15.29	6.94 15.29	6.94 15.29	4			

Ordering: T-413 and S-413 normally furnished with Bronze Disc (T-413-B) or (S-413-B).
 Both available with PTFE Steam Disc (T-413-Y), (S-413-Y), or CWP Disc (T-413-W), (S-413-W) or 300° F 67 PSI steam FKM Disc (T-413-V).

* Class 150 (433) furnished for these sizes.

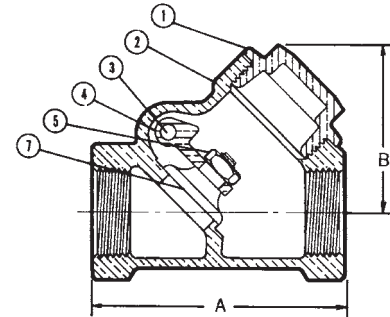
For detailed Operating Pressure, refer to Pressure Temperature Chart on page 113.



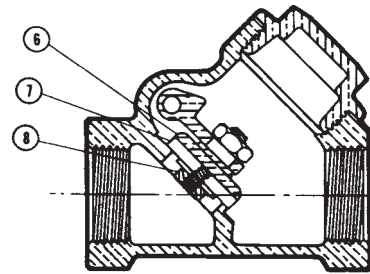
T-413
Threaded



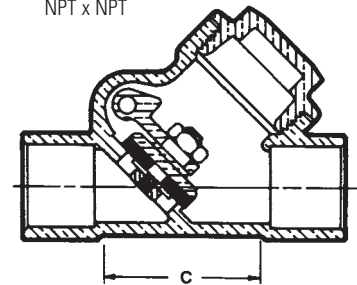
S-413
Solder



T-413-B
NPT x NPT



T-413-Y
NPT x NPT



S-413-W
C x C

NIBCO® Check Valves may be installed in both horizontal and vertical lines with upward flow or in any intermediate position. They will operate satisfactorily in a declining plane (no more than 15°).

Warning – Do Not Use For Reciprocating Air Compressor Service.