

FM/UL-Resilient Seated Gate Valves & Indicator Post



Fire fighting Resilient seated gate valve with a soft seal disc which is fully encapsulated with rubber. The valve is designed with new technology for light operating, no clogging and no corrosion, good resilient memory & long service life. It can be used extensively in all kinds of water supply & sewage, fire-fighting and function as a shut-off or regulation valve.

Features:

- Newly advanced design, less operation torque & abrasion resistance.
- Body & Cover are made of high grade Ductile Iron.
- Forged stem provides stronger stem operation and less moving parts.
- Disc is covered by high-grade rubber, which complies with drinking water.
- High-tech rubber curing with precise geometry dimensions, more resilient & strong adhesive to ductile casting.
- The O-ring stem seals are designed to prevent stem leakage and provide replacement of the O-ring without disassembling of valve from mainline pipes.
- Both inside & outside are coated with epoxy resin powder.



Field Services:

Fire fighting system.

Technical Data:

Size Range: DN50~DN300mm(2"-12")

Working Pressure: 250/300 PSI

Working Temperature:-10°C- 80°C

Flow Media: Water

Flange Ends Connection: AISI B16.1 and PN16

Grooved Ends Connection: AWWA C606

Distributor:

AFC®

Tel: 86512 6673 2918 | Fax: 86512 6673 2928

E-mail: exsales@alpinefc.com.cn

site: www.alpinefc.com.cn

Alpine Flow Control (Suzhou) Co.,Ltd

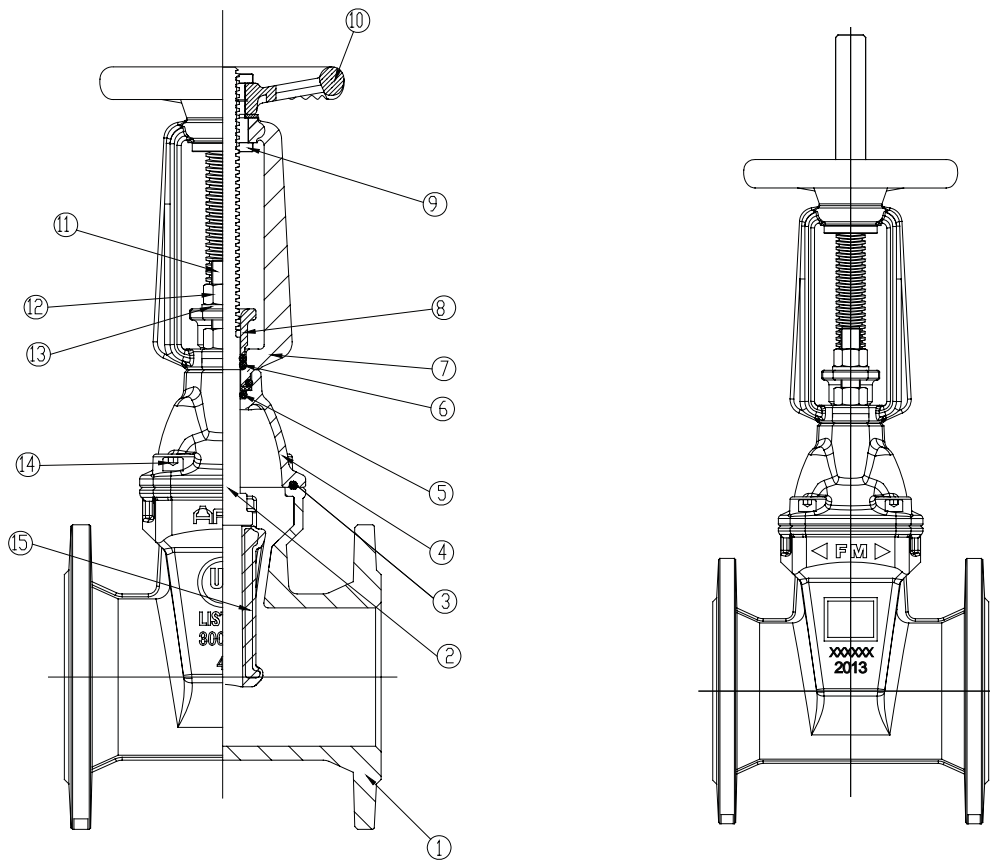
Add: B5ChaoYangFactory, Caohu Industrial Park,

Xiangcheng Economic Development Zone,

Suzhou, Jiangsu Province, China, ZIP: 215131



RS Resilient Seated Gate Valves-Fire Fighting-FM/UL



Parts List:

No	Part Names	Material	Standard
1	Body	Ductile Iron	EN GJS 500-7
2	Stem	Stainless Steel	AIS1 420
3	Bonnet Gasket	Rubber	EPDM
4	Bonnet	Ductile Iron	EN GJS 500-7
5	O-ring	Rubber	EPDM
6	O-ring	Rubber	EPDM
7	Yoke	Ductile Iron	EN GJS 500-7
8	Gland	Ductile Iron	EN GJS 500-7
*9	Thrust Nut	Brass/Bronze	CZ122/CA103
10	Handwheel	Carbon Steel	Commercial
11	Thread Bar	Carbon Steel	Commercial
12	Nut	Carbon Steel	Commercial
13	Washer	Carbon Steel	Commercial
14	In Hex Bolt	Carbon Steel	Commercial
15	Wedge	Ductile Iron+Rubber	EN GJS 500-7+EPDM

* DN250&DN300 use bronze.

Distributor:



Tel : 8651266732918 | Fax: 8651266732928

E-mail: exsales@alpinefc.com.cn

site: www.alpinefc.com.cn

Alpine Flow Control (Suzhou) Co.,Ltd

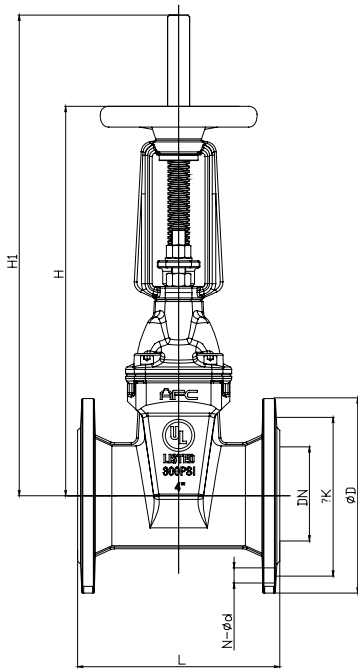
Add: B5ChaoYangFactory, Caohu Industrial Park,

Xiangcheng Economic Development Zone,

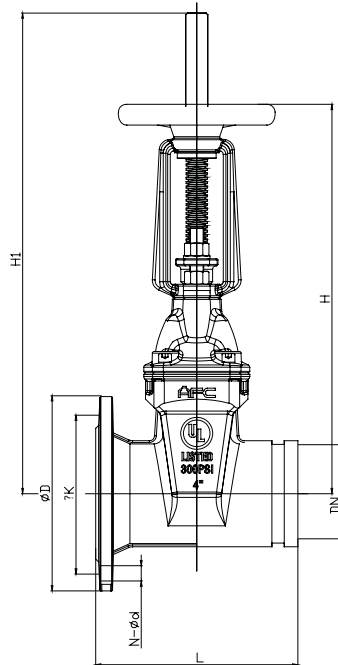
Suzhou, Jiangsu Province, China , ZIP: 215131



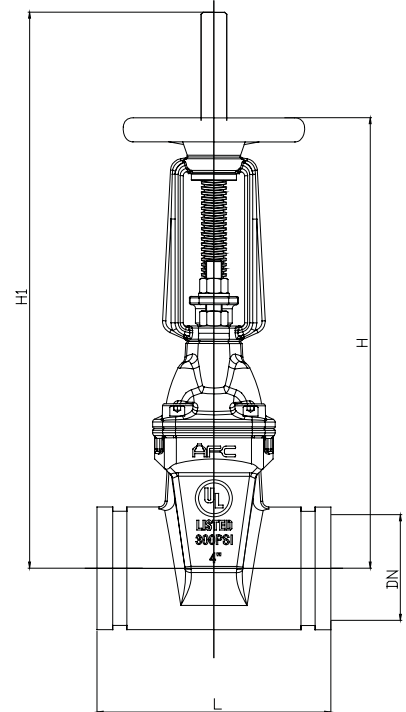
RS Resilient Seated Gate Valves-Fire Fighting-FM/UL



FRHF



FRHX



FRHG

Dimension

Size		Model No	L	ØD		ØK		n-Ød		H close	H ₁ open
IN	mm	FRH (F/G/X)	mm	PN16	ANSI	PN16	ANSI	PN16	ANSI	mm	mm
2	50	FRHF-0050	178	165	152	125	121	4-Ø19	4-Ø19	312	382
2 1/2	65	FRHF-0065	190	185	178	145	140	4-Ø19	4-Ø19	338	408
3	80	FRHF-0080	203	200	191	160	152	8-Ø19	4-Ø19	393	480
4	100	FRHF-0100	229	220	229	180	191	8-Ø19	8-Ø19	441	544
5	125	FRHF-0125	254	250	--	210	--	8-Ø19	8-Ø23	559	692
6	150	FRHF-0150	267	285	279	240	241	8-Ø23	8-Ø23	598	759
8	200	FRHF-0200	292	340	343	295	298	12-Ø23	8-Ø23	743	953
10	250	FRHF-0250	330	400	406	355	362	12-Ø28	12-Ø26	880	1140
12	300	FRHF-0300	356	455	483	410	432	12-Ø28	12-Ø26	1009	1319

Distributor:



Tel: 86512 6673 2918 | Fax: 86512 6673 2928

E-mail: exsales@alpinefc.com.cn

site: www.alpinefc.com.cn

Alpine Flow Control (Suzhou) Co.,Ltd

Add: B5ChaoYangFactory, Caohu Industrial Park,

Xiangcheng Economic Development Zone,

Suzhou, Jiangsu Province, China, ZIP: 215131

