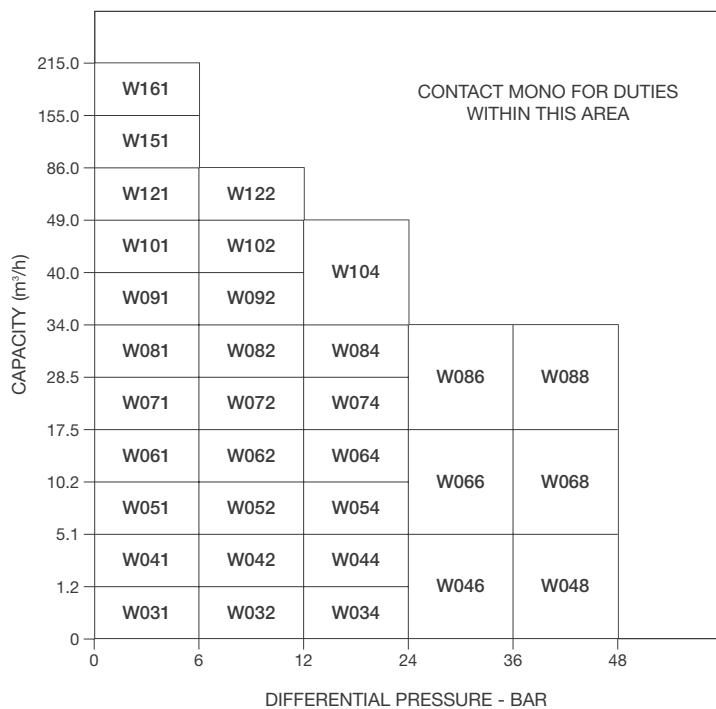
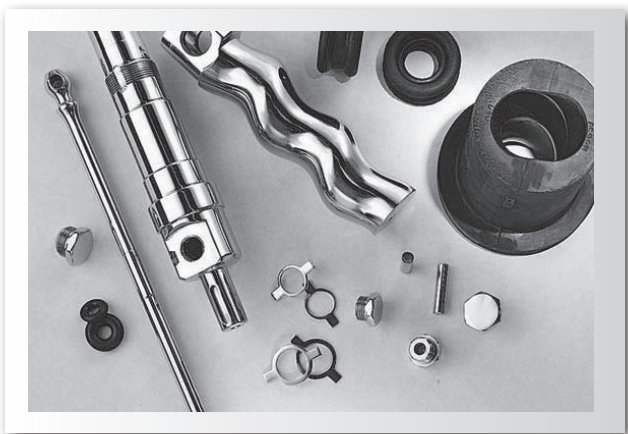
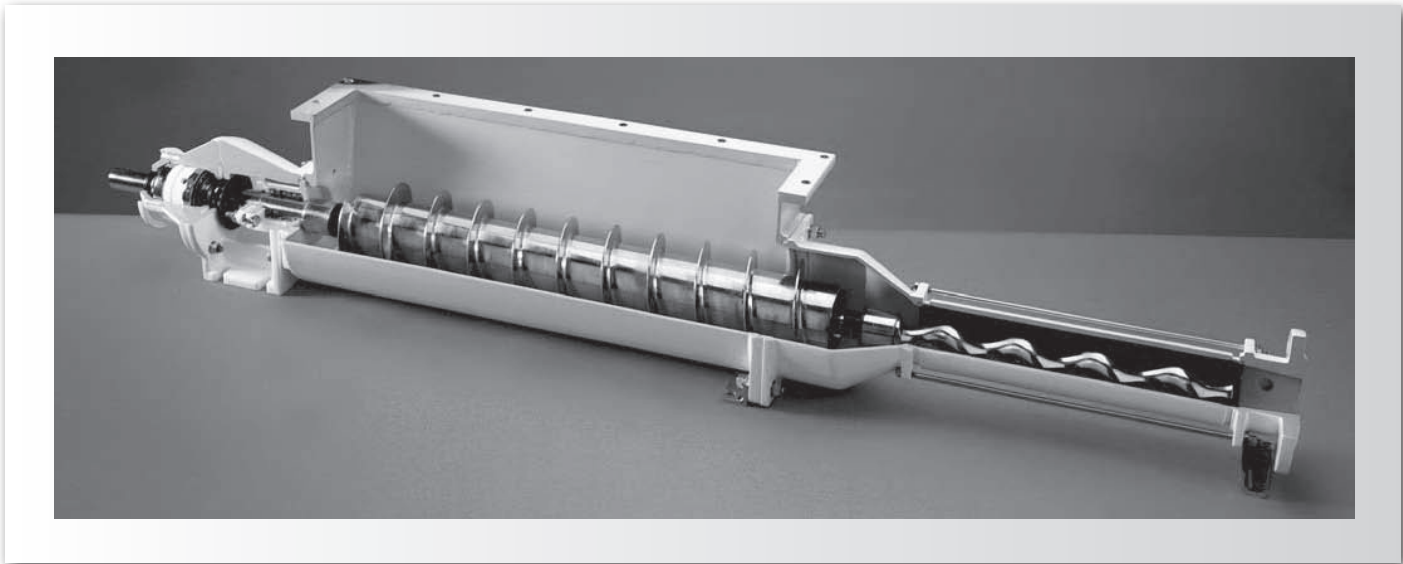


MERLIN WIDETHROAT RANGE סידרה

מתאימה לחומרים בעלי צמיגות גבוהה ותכונות זרימה קשות
ספיקה מקסי': 215m³/h
לחץ מקסי': 48 בר
 מומלץ לעבודה בשתי דרגות ניתן לקבל סטטור יצוק גומי או סטטור גומי בתוך שרוול ניפרד.
 טמפרטורה: -10°C - 100°C



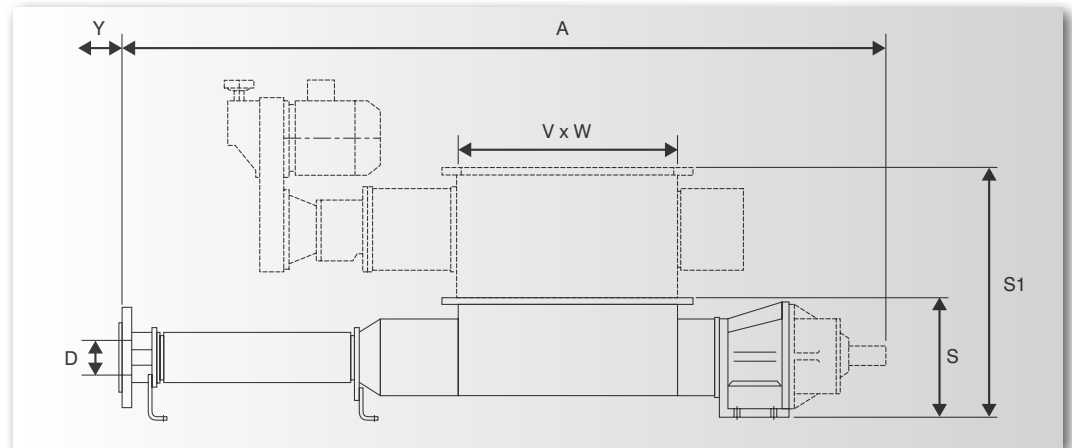
MERLIN WIDETHROAT RANGE סידרה



| FEATURES | DESCRIPTION | BASIC PUMP CODING | | | | | | | | | STD. VAR. | | | | | |
|--|---|-------------------|---|---|---|---|---|---|---|---|-----------|----|----|----|----|---|
| | | 1 | 2 | 3 | 4 | 5 | 6 | 7 | 8 | 9 | 10 | 12 | 13 | 14 | 15 | |
| BODY MATERIALS | Cast Iron | C | | | | | | | | | | | | | | |
| | Stainless Steel | S | | | | | | | | | | | | | | |
| PUMP DESIGN | Widethroat | | W | | | | | | | | | | | | | |
| NOMINAL PUMP CAPACITY AT MAXIMUM SPEED AND ZERO PRESSURE | 1.2m ³ /h @ 350 rev/min | | | | 0 | 3 | | | | | | | | | | |
| | 5.1m ³ /h @ 350 rev/min | | | | 0 | 4 | | | | | | | | | | |
| | 10.2m ³ /h @ 350 rev/min | | | | 0 | 5 | | | | | | | | | | |
| | 17.5m ³ /h @ 350 rev/min | | | | 0 | 6 | | | | | | | | | | |
| | 28.5m ³ /h @ 350 rev/min | | | | 0 | 7 | | | | | | | | | | |
| | 34m ³ /h @ 300 rev/min | | | | 0 | 8 | | | | | | | | | | |
| | 40m ³ /h @ 250 rev/min | | | | 0 | 9 | | | | | | | | | | |
| | 49m ³ /h @ 200 rev/min | | | | 1 | 0 | | | | | | | | | | |
| | 86m ³ /h @ 200 rev/min | | | | 1 | 2 | | | | | | | | | | |
| PUMP STAGES | 155m ³ /h @ 200 rev/min | | | | 1 | 5 | | | | | | | | | | |
| | 215m ³ /h @ 200 rev/min | | | | 1 | 6 | | | | | | | | | | |
| | One | | | | | | | | | 1 | | | | | | |
| | Two | | | | | | | | | 2 | | | | | | |
| | Four | | | | | | | | | 4 | | | | | | |
| PRIME MOVER ARRANGEMENTS AND BUILD SELECTION | Six | | | | | | | | | 6 | | | | | | |
| | Eight | | | | | | | | | 8 | | | | | | |
| | Monobloc | | | | | | | | | | | | | | | A |
| | Body Options | | | | | | | | | | | | | | | B |
| | Bareshaft | | | | | | | | | | | | | | | H |
| MECHANICAL SEAL PUMP DESIGN | Standard Auger | | | | | | | | | | | | | | | J |
| | Large Auger | | | | | | | | | | | | | | | H |
| | Bridge Breaker Drive Options | | | | | | | | | | | | | | | D |
| PACKED GLAND PUMP DESIGN | Standard | | | | | | | | | | | | | | | S |
| | Large Auger | | | | | | | | | | | | | | | L |
| | Bridge Breaker Drive Options | | | | | | | | | | | | | | | B |
| DESIGN NUMBER | | | | | | | | | | | | | | | | 1 |
| STATOR MAT'L | RA, RR etc. | | | | | | | | | | | | | | | A |
| ROTATING PARTS | 1, 3, 4, 5, 8 | | | | | | | | | | | | | | | 3 |
| TYPICAL BASIC PUMP CODING | Cast Iron Widethroat size 06 four stage. Mechanical seal, Monobloc Build C with Bridge Breaker option E, Natural rubber stator, Code 4 rotating parts | C | W | 0 | 6 | 4 | C | E | 1 | A | 4 | | | | | |
| PRIME MOVER AND PORT OPTIONS | 'G' - Standard Bloc | | | | | | | | | | | | | | | |
| | 'H' - Standard Bareshaft | | | | | | | | | | | | | | | |
| | 'C' - Bareshaft - Mono Australia Only | C | W | 0 | 6 | 4 | C | E | 1 | A | 4 | | | | | G |
| | 'A' - ANSI + Access Ports | | | | | | | | | | | | | | | |
| | 'E' - Standard ANSI | | | | | | | | | | | | | | | |
| 'J' - Japan | | | | | | | | | | | | | | | | |

FULL PUMP CODING TO BE STAMPED ON PUMP NAMEPLATE

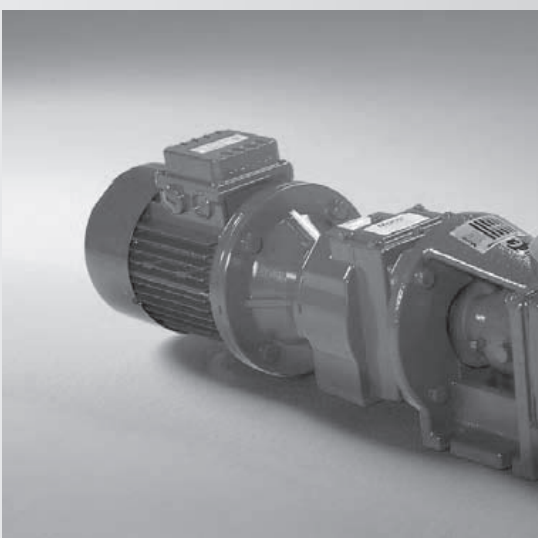
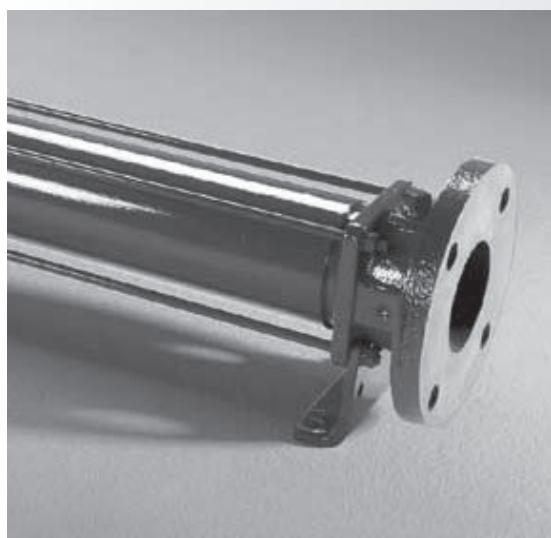
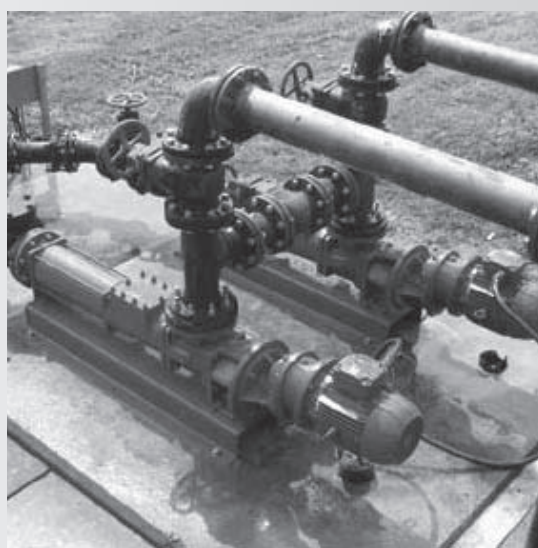
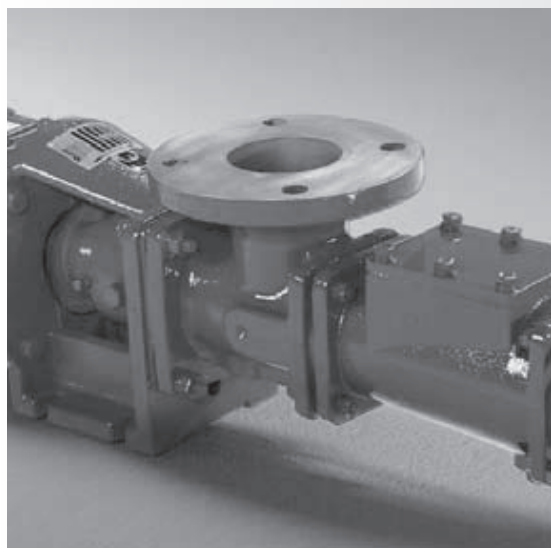
MERLIN WIDETHROAT RANGE סידרה



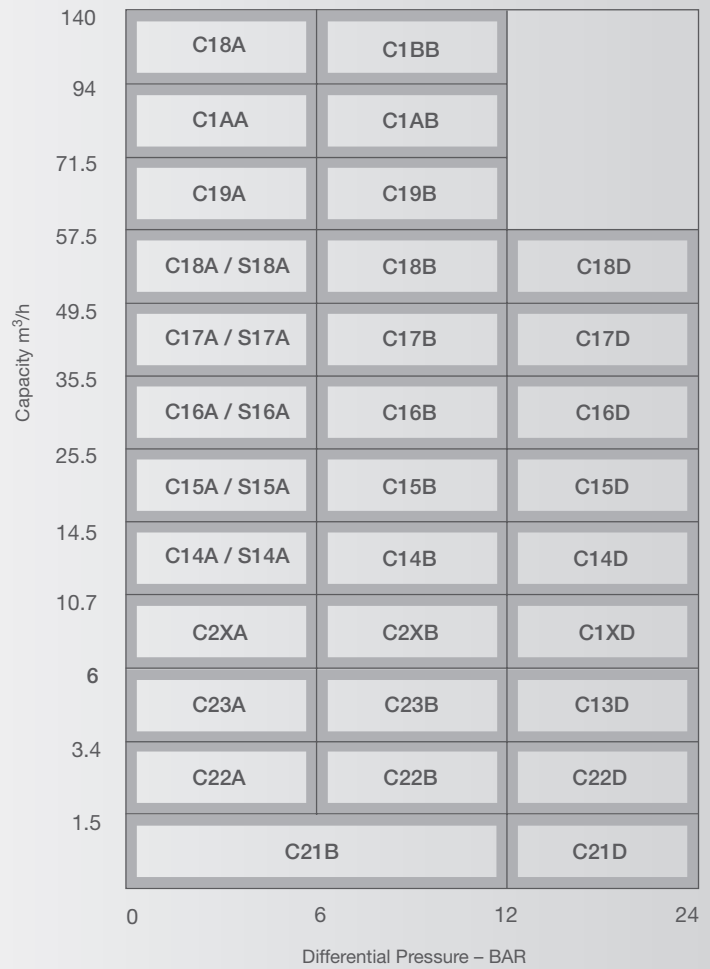
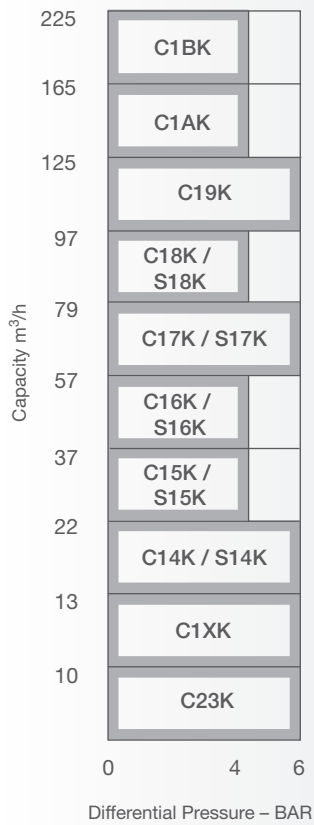
| MODEL | STANDARD + BRIDGE BREAKER | | | STD | BRIDGE BREAKER | LARGE AUGER | | | | ALL MODELS |
|-------|---------------------------|------|-----------|-----|----------------|-------------|------|------------|-----|------------|
| | Y | A | V x W | S | S1 | Y | A | V x W | S | D |
| W032 | 720 | 1156 | 320 x 170 | 185 | | | | | | * |
| W034 | 750 | 1638 | 320 x 170 | 212 | | | | | | 50 |
| W041 | 835 | 1324 | 350 x 250 | 232 | | | | | | 65 |
| W042 | 835 | 1523 | 350 x 250 | 232 | 412 | 770 | 1842 | 750 x 250 | 282 | 65 |
| W044 | 890 | 1987 | 350 x 250 | 245 | 425 | 880 | 2293 | 750 x 250 | 295 | 80 |
| W051 | 1045 | 1594 | 500 x 250 | 247 | | | | | | 80 |
| W052 | 1050 | 1859 | 500 x 250 | 260 | 435 | 770 | 2010 | 750 x 250 | 310 | 80 |
| W054 | 1100 | 2500 | 500 x 250 | 285 | 460 | 765 | 2657 | 750 x 250 | 335 | 100 |
| W061 | 1265 | 1845 | 650 x 360 | 285 | | | | | | 100 |
| W062 | 1270 | 2249 | 650 x 360 | 310 | 515 | 1030 | 2484 | 1000 x 360 | 375 | 100 |
| W064 | 1330 | 2964 | 650 x 360 | 320 | 525 | 1035 | 3212 | 1000 x 360 | 395 | 125 |
| W071 | 1300 | 2034 | 650 x 360 | 330 | | | | | | 125 |
| W072 | 1300 | 2402 | 650 x 360 | 330 | 525 | 1025 | 2675 | 1000 x 360 | 415 | 125 |
| W074 | 1410 | 3395 | 650 x 360 | 405 | 600 | 1035 | 3665 | 1000 x 360 | 465 | 125 |
| W081 | 1300 | 2078 | 650 x 360 | 330 | | | | | | 125 |
| W082 | 1370 | 2581 | 650 x 360 | 340 | 550 | 1040 | 2865 | 1000 x 360 | 505 | 125 |
| W084 | 1440 | 3590 | 650 x 360 | 405 | 615 | 1030 | 3847 | 1000 x 360 | 505 | 150 |
| W091 | 1550 | 2407 | 800 x 450 | 360 | | | | | | 150 |
| W092 | 1550 | 2869 | 800 x 450 | 360 | 575 | 1045 | 3053 | 1000 x 450 | 505 | 150 |
| W101 | 1550 | 2485 | 800 x 450 | 360 | | | | | | 150 |
| W102 | 1625 | 3153 | 800 x 450 | 405 | 655 | 1042 | 3410 | 1000 x 450 | 550 | 150 |
| W121 | 1600 | 2784 | 800 x 450 | 450 | | | | | | 200 |

סידרה C COMPACT

משאבה ללא בסיס
ספיקה מקס': $225\text{m}^3/\text{h}$
לחץ מקס': 24 בר
טמפרטורה: 100°C - 10°C



סידרה C COMPACT





שאל
ציוד טכני בע"מ

משאבות בורגיות

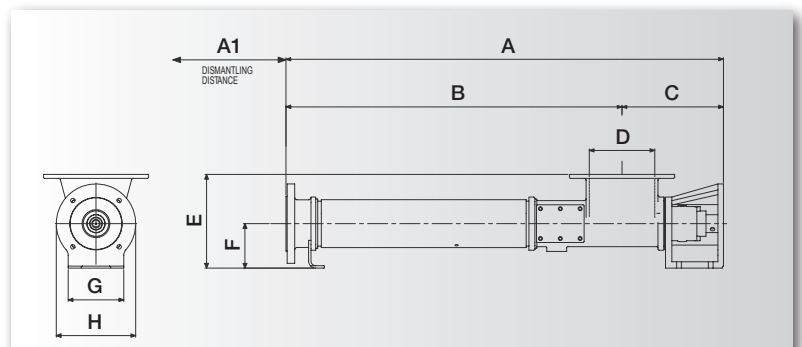
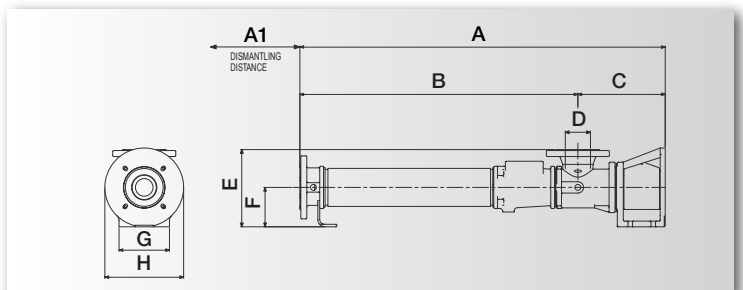
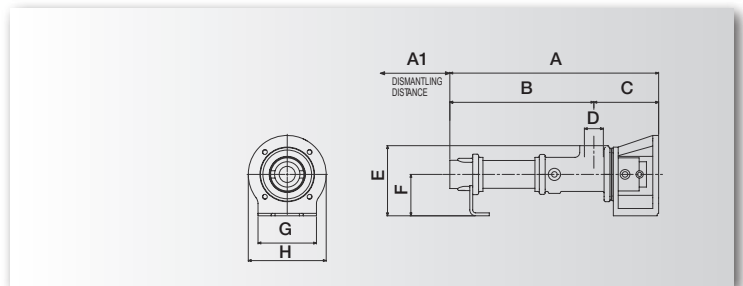
www.mono-pumps.com **Mono**

סידרה C COMPACT

| MODEL | A | A1 | B | C | D | E | F | G | H |
|-------|-----|-----|-----|-----|--------|-----|----|-----|-----|
| C21B | 429 | 115 | 296 | 133 | 1 1/4" | 144 | 85 | 120 | 160 |
| C21D | 573 | 250 | 440 | 133 | 1 1/4" | 144 | 85 | 120 | 160 |
| C22A | 429 | 115 | 296 | 133 | 1 1/4" | 144 | 85 | 120 | 160 |
| C22B | 573 | 250 | 440 | 133 | 1 1/4" | 144 | 85 | 120 | 160 |
| C22D | 959 | 525 | 822 | 137 | 1 1/2" | 148 | 85 | 120 | 160 |
| C23A | 520 | 165 | 383 | 137 | 1 1/2" | 148 | 85 | 120 | 160 |
| C23B | 665 | 300 | 528 | 137 | 1 1/2" | 148 | 85 | 120 | 160 |
| C23K | 665 | 300 | 528 | 137 | 1 1/2" | 148 | 85 | 120 | 160 |

| MODEL | A | A1 | B | C | D | E | F | G | H |
|-------|------|------|------|-----|-----|-----|-----|-----|-----|
| C1XK | 750 | 300 | 593 | 157 | 50 | 190 | 85 | 120 | 160 |
| C14K | 986 | 455 | 756 | 230 | 65 | 227 | 112 | 140 | 200 |
| C15K | 1102 | 570 | 882 | 220 | 80 | 232 | 112 | 140 | 200 |
| C16K | 1272 | 680 | 1036 | 236 | 100 | 255 | 125 | 160 | 250 |
| C17K | 1478 | 800 | 1198 | 281 | 125 | 310 | 150 | 180 | 300 |
| C18K | 1654 | 880 | 1374 | 280 | 125 | 310 | 150 | 180 | 300 |
| C19K | 1856 | 990 | 1541 | 315 | 150 | 345 | 160 | 200 | 300 |
| C1AK | 2007 | 1100 | 1692 | 315 | 150 | 345 | 160 | 200 | 300 |
| C1BK | 2437 | 1210 | 2009 | 427 | 200 | 450 | 225 | 280 | 350 |
| C13D | 1160 | 525 | 930 | 230 | 65 | 227 | 112 | 140 | 200 |
| C2XA | 566 | 135 | 409 | 157 | 50 | 190 | 85 | 120 | 160 |
| C2XB | 749 | 315 | 592 | 157 | 50 | 227 | 112 | 120 | 160 |
| C1XD | 1363 | 650 | 1086 | 277 | 80 | 245 | 125 | 160 | 250 |
| C14A | 781 | 250 | 551 | 230 | 65 | 227 | 112 | 140 | 200 |
| C14B | 986 | 455 | 756 | 230 | 65 | 227 | 112 | 140 | 200 |
| C14D | 1462 | 780 | 1185 | 277 | 80 | 245 | 125 | 160 | 250 |
| C15A | 842 | 310 | 622 | 220 | 80 | 232 | 112 | 140 | 200 |
| C15B | 1159 | 570 | 882 | 277 | 80 | 245 | 125 | 160 | 250 |
| C15D | 1776 | 1005 | 1457 | 319 | 100 | 280 | 150 | 180 | 300 |
| C16A | 960 | 365 | 724 | 236 | 100 | 255 | 125 | 160 | 250 |
| C16B | 1355 | 680 | 1306 | 319 | 100 | 280 | 150 | 180 | 300 |
| C16D | 2181 | 1210 | 1813 | 369 | 125 | 320 | 160 | 200 | 300 |
| C17A | 1110 | 430 | 830 | 281 | 125 | 310 | 150 | 180 | 300 |
| C17B | 1478 | 800 | 1198 | 281 | 125 | 310 | 150 | 180 | 300 |
| C17D | 2626 | 1385 | 2224 | 402 | 150 | 410 | 225 | 280 | 350 |
| C18A | 1246 | 475 | 966 | 281 | 125 | 310 | 150 | 180 | 300 |
| C18B | 1742 | 880 | 1374 | 386 | 125 | 320 | 160 | 200 | 300 |
| C18D | 2786 | 1555 | 2384 | 402 | 150 | 410 | 225 | 280 | 350 |
| C19A | 1394 | 530 | 1079 | 315 | 150 | 345 | 160 | 200 | 300 |
| C19B | 1856 | 990 | 1541 | 315 | 150 | 345 | 160 | 200 | 300 |
| C1AA | 1476 | 610 | 1161 | 315 | 150 | 345 | 160 | 200 | 300 |
| C1AB | 2159 | 1100 | 1756 | 402 | 150 | 410 | 225 | 280 | 350 |
| C1BA | 1794 | 640 | 1366 | 427 | 200 | 450 | 225 | 280 | 350 |

| MODEL | A | A1 | B | C | D | E | F | G | H |
|-------|------|-----|------|-----|---------|-----|-----|-----|-----|
| S14A | 781 | 250 | 526 | 255 | 165x165 | 236 | 112 | 140 | 200 |
| S14K | 986 | 455 | 731 | 255 | 165x165 | 236 | 112 | 140 | 200 |
| S15A | 842 | 310 | 587 | 255 | 165x165 | 236 | 112 | 140 | 200 |
| S15K | 1102 | 570 | 847 | 255 | 165x165 | 236 | 112 | 140 | 200 |
| S16A | 960 | 365 | 674 | 286 | 200x200 | 260 | 125 | 160 | 250 |
| S16K | 1272 | 680 | 986 | 286 | 200x200 | 260 | 125 | 160 | 250 |
| S17A | 1110 | 430 | 777 | 333 | 240x240 | 310 | 150 | 180 | 300 |
| S17K | 1478 | 800 | 1145 | 333 | 240x240 | 310 | 150 | 180 | 300 |
| S18A | 1246 | 475 | 912 | 334 | 240x240 | 310 | 150 | 180 | 300 |
| S18K | 1654 | 880 | 1320 | 334 | 240x240 | 310 | 150 | 180 | 300 |

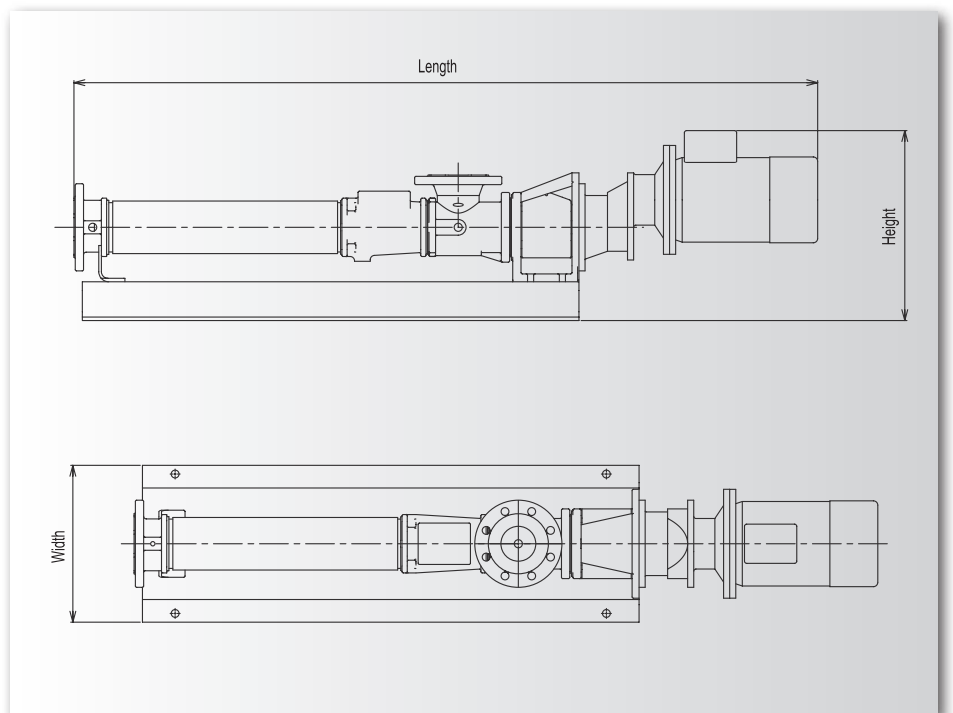


סידרה C COMPACT

| MODEL | LENGTH | WIDTH | HEIGHT |
|-------|--------|-------|--------|
| C1XK | 1304 | 300 | 304 |
| C14K | 1665 | 300 | 475 |
| C15K | 1777 | 360 | 475 |
| C16K | 1947 | 360 | 488 |
| C17K | 2464 | 360 | 609 |
| C18K | 2640 | 420 | 609 |
| C19K | 2902 | 420 | 649 |
| C1AK | 3053 | 420 | 649 |
| C1BK | 3481 | 520 | 537 |
| C13D | 1835 | 360 | 475 |
| C2XA | 1120 | 300 | 304 |
| C2XB | 1329 | 300 | 304 |
| C1XD | 2038 | 420 | 488 |
| C14A | 1456 | 300 | 475 |
| C14B | 1665 | 300 | 475 |
| C14D | 2137 | 360 | 488 |
| C15A | 1517 | 300 | 475 |
| C15B | 1834 | 360 | 488 |
| C15D | 2762 | 420 | 609 |
| C16A | 1635 | 360 | 488 |
| C16B | 2341 | 420 | 609 |
| C16D | 3225 | 520 | 472 |
| C17A | 2066 | 360 | 584 |
| C17B | 2464 | 360 | 609 |
| C17D | 3672 | 520 | 727 |
| C18A | 2202 | 360 | 584 |
| C18B | 2788 | 420 | 649 |
| C18D | 3830 | 520 | 537 |
| C19A | 2440 | 420 | 649 |
| C19B | 2902 | 420 | 649 |
| C1AA | 2522 | 420 | 649 |
| C1AB | 3205 | 520 | 727 |
| C1BA | 2840 | 520 | 727 |

| MODEL | LENGTH | WIDTH | HEIGHT |
|-------|--------|-------|--------|
| C21B | 984 | 300 | 304 |
| C21D | 1149 | 300 | 304 |
| C22A | 984 | 300 | 304 |
| C22B | 1149 | 300 | 304 |
| C22D | 1544 | 300 | 304 |
| C23A | 1084 | 300 | 304 |
| C23B | 1234 | 300 | 304 |
| C23K | 1234 | 300 | 304 |

| MODEL | LENGTH | WIDTH | HEIGHT |
|-------|--------|-------|--------|
| S14A | 1456 | 300 | 475 |
| S14K | 1665 | 300 | 475 |
| S15A | 1517 | 300 | 475 |
| S15K | 1777 | 360 | 475 |
| S16A | 1635 | 360 | 488 |
| S16K | 1947 | 360 | 488 |
| S17A | 2066 | 360 | 584 |
| S17K | 2464 | 360 | 609 |
| S18A | 2202 | 360 | 584 |
| S18K | 2640 | 420 | 609 |



סידרה M

משאבה קומפקטית לשאיבת נוזלים, כדוגמת שמן, צבע, דבק, כימיקלים לא תוקפניים.

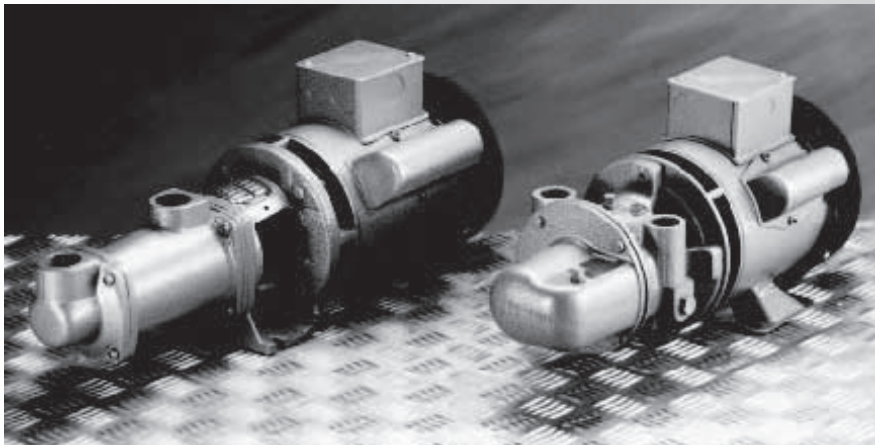
ספיקה מקסי': 3.3m³/h

לחץ מקסי': 3.5 בר

טמפרטורה: 100°C - 10°C

הספק: מנוע 0.18kw-0.75kw

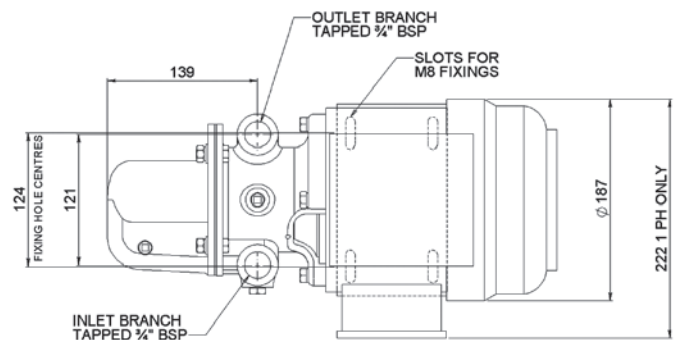
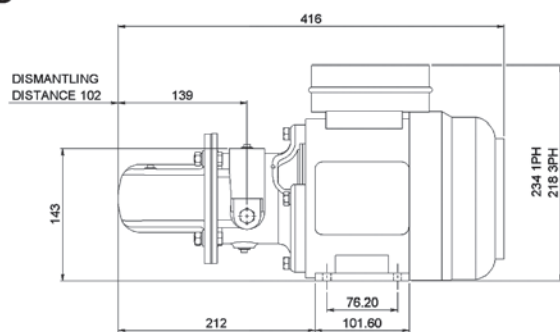
ניתן לספק עם מנוע מוגן התפוצצות



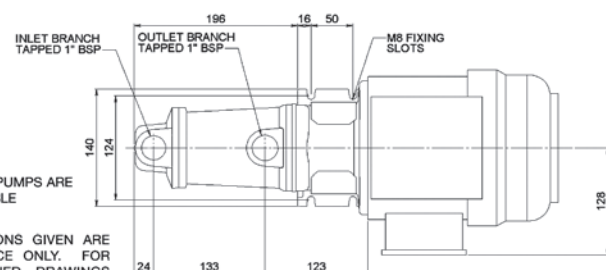
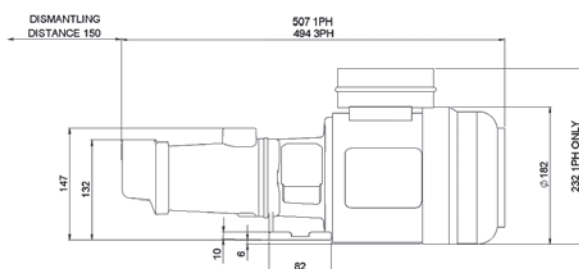
| pump | r.p.m. | 0 bar | | 1.4 bar | | 2.4 bar | | 2.75 bar | | 3.45 bar | | Weight kg |
|------|--------|---------------------|-------|----------------------|-------|----------------------|-------|----------------------|-------|----------------------|-------|--------------|
| | | 0lb/in ² | | 20lb/in ² | | 35lb/in ² | | 40lb/in ² | | 50lb/in ² | | |
| | | l/h | gal/h | l/h | gal/h | l/h | gal/h | l/h | gal/h | l/h | gal/h | |
| MS | 1450 | 750 | 165 | 500 | 110 | 409 | 90 | 386 | 85 | 318 | 68 | 16 |
| MM | 1450 | 1590 | 350 | 1250 | 275 | 1050 | 231 | 1000 | 220 | 900 | 198 | 27 |
| ML | 2850 | 3130 | 690 | 2470 | 543 | 2040 | 450 | 1890 | 416 | 1590 | 350 | 27 |

(unless stated otherwise)

MS



MM/ML

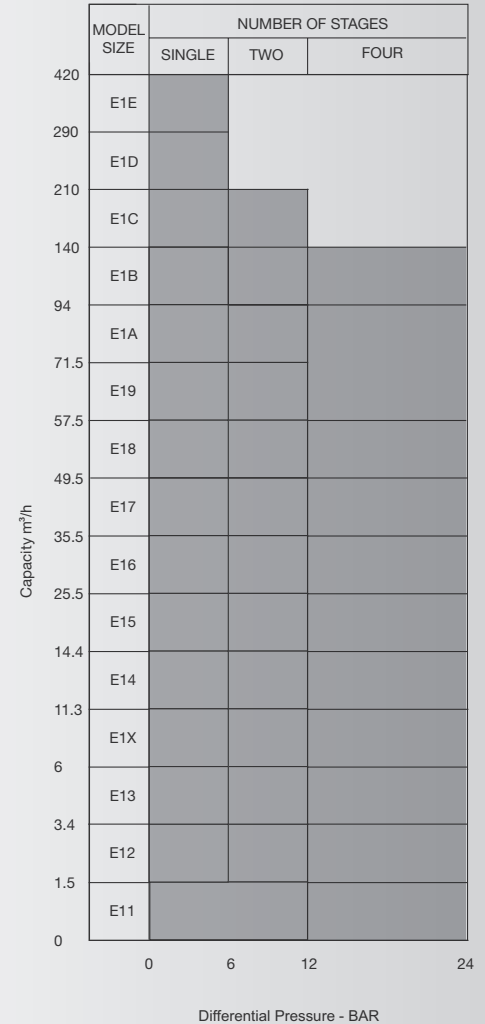
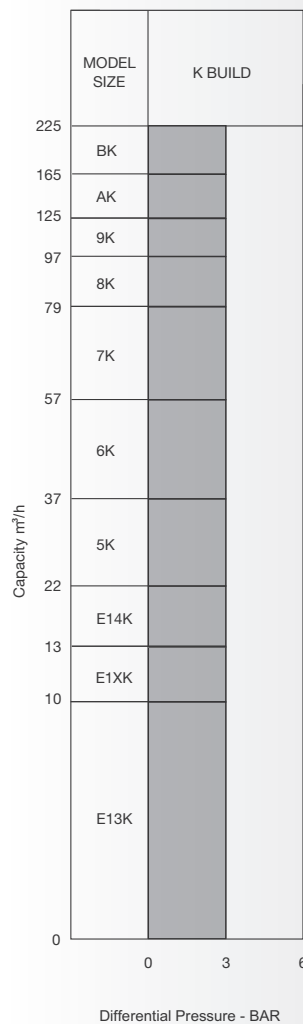
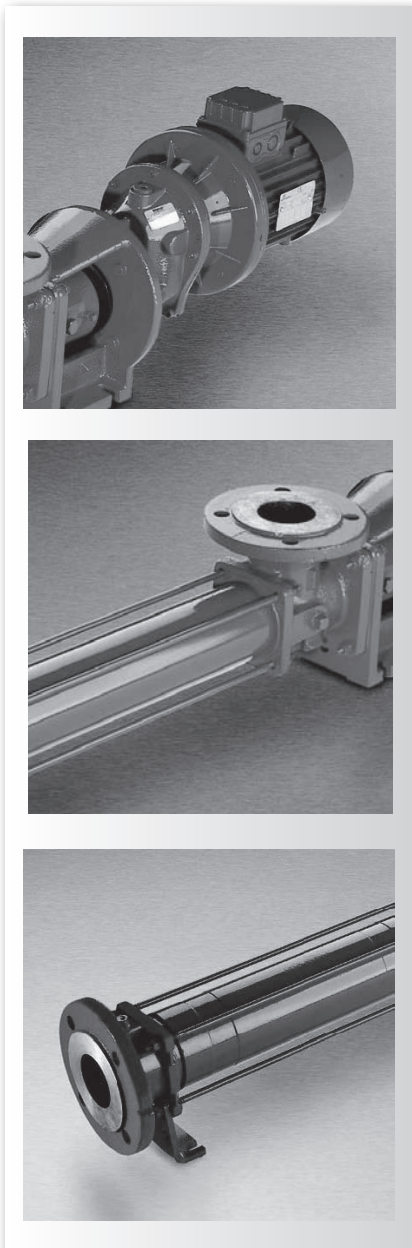


NOTE: THESE PUMPS ARE NOT REVERSIBLE

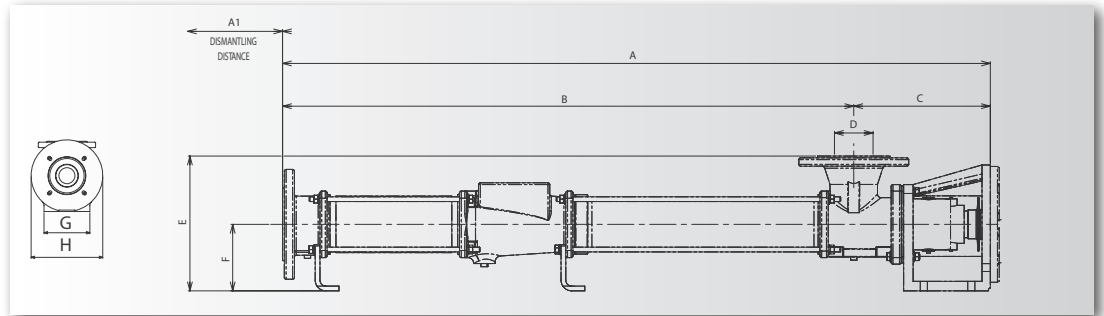
ALL DIMENSIONS GIVEN ARE FOR GUIDANCE ONLY. FOR FULL CERTIFIED DRAWINGS REFER TO MONO.

סידרה EPSILON E

סידרה חדשה מושלמת המציעה את שלמות
 הטכנולוגיה של משאבות הבורגיות
ספיקה מקס': 420m³/h
לחץ מקס': עד 24 בר
טמפרטורה: 100°C - 10°C



סידרה EPSILON

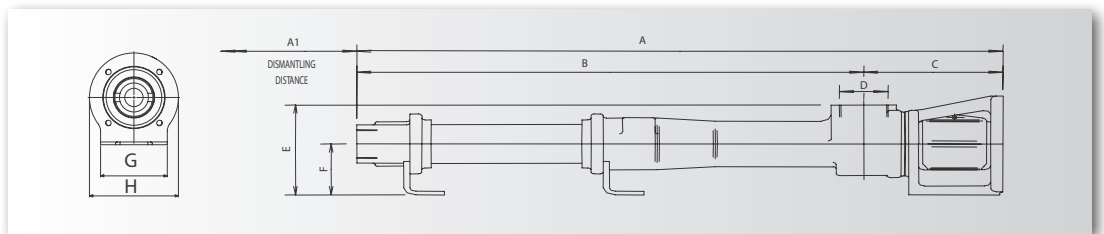


Standard Flexishaft Models

| MODEL | A | A1 | B | C | D | E | F | G | H |
|-------|------|------|------|-----|-----|-----|-----|-----|-----|
| E14A | 1190 | 250 | 960 | 230 | 65 | 227 | 112 | 140 | 200 |
| E14B | 1507 | 455 | 1277 | 230 | 65 | 227 | 112 | 140 | 200 |
| E14K | 1395 | 455 | 1165 | 230 | 65 | 227 | 112 | 140 | 200 |
| E15A | 1363 | 310 | 1143 | 220 | 80 | 232 | 112 | 140 | 200 |
| E15B | 1823 | 570 | 1546 | 277 | 80 | 245 | 125 | 160 | 250 |
| E15K | 1623 | 570 | 1403 | 220 | 80 | 232 | 112 | 140 | 200 |
| E16A | 1625 | 365 | 1389 | 236 | 100 | 255 | 125 | 160 | 250 |
| E16B | 2179 | 680 | 1860 | 319 | 100 | 280 | 150 | 180 | 300 |
| E16K | 1937 | 680 | 1701 | 236 | 100 | 255 | 125 | 160 | 250 |
| E17A | 1934 | 430 | 1654 | 280 | 125 | 310 | 150 | 180 | 300 |
| E17B | 2389 | 800 | 2109 | 280 | 125 | 310 | 150 | 180 | 300 |
| E17K | 2302 | 800 | 2022 | 280 | 125 | 310 | 150 | 180 | 300 |
| E18A | 2064 | 475 | 1784 | 281 | 125 | 310 | 150 | 180 | 300 |
| E18B | 2745 | 880 | 2377 | 368 | 125 | 320 | 160 | 200 | 300 |
| E18K | 2472 | 880 | 2192 | 280 | 125 | 310 | 150 | 180 | 300 |
| E19A | 2395 | 530 | 2080 | 315 | 150 | 345 | 160 | 200 | 300 |
| E19B | 2857 | 990 | 2542 | 315 | 150 | 345 | 160 | 200 | 300 |
| E19K | 2857 | 990 | 2542 | 315 | 150 | 345 | 160 | 200 | 300 |
| E1AA | 2628 | 610 | 2313 | 315 | 150 | 345 | 160 | 200 | 300 |
| E1AB | 3330 | 1100 | 2927 | 403 | 150 | 410 | 225 | 280 | 350 |
| E1AK | 3159 | 1100 | 2844 | 315 | 150 | 345 | 160 | 200 | 300 |
| E1BA | 3048 | 640 | 2620 | 428 | 200 | 450 | 225 | 280 | 350 |
| E1BK | 3602 | 1210 | 3174 | 428 | 200 | 450 | 225 | 280 | 350 |

Short Flexishaft Models

| MODEL | A | A1 | B | C | D | E | F | G | H |
|-------|------|------|------|-----|-----|-----|-----|-----|-----|
| E14A | 978 | 250 | 748 | 230 | 65 | 227 | 112 | 140 | 200 |
| E14B | 1294 | 455 | 1064 | 230 | 65 | 227 | 112 | 140 | 200 |
| E14K | 1183 | 455 | 953 | 230 | 65 | 227 | 112 | 140 | 200 |
| E15A | 1150 | 310 | 930 | 220 | 80 | 232 | 112 | 140 | 200 |
| E15B | 1594 | 570 | 1317 | 277 | 80 | 245 | 125 | 160 | 250 |
| E15K | 1410 | 570 | 1190 | 220 | 80 | 232 | 112 | 140 | 200 |
| E16A | 1396 | 365 | 1160 | 236 | 100 | 255 | 125 | 160 | 250 |
| E16B | 1859 | 680 | 1540 | 319 | 100 | 280 | 150 | 180 | 300 |
| E16K | 1708 | 680 | 1472 | 236 | 100 | 255 | 125 | 160 | 250 |
| E17A | 1614 | 430 | 1334 | 280 | 125 | 310 | 150 | 180 | 300 |
| E17B | 2074 | 800 | 1794 | 280 | 125 | 310 | 150 | 180 | 300 |
| E17K | 1982 | 800 | 1702 | 280 | 125 | 310 | 150 | 180 | 300 |
| E18A | 1749 | 475 | 1469 | 281 | 125 | 310 | 150 | 180 | 300 |
| E18B | 2358 | 880 | 1991 | 367 | 125 | 320 | 160 | 200 | 300 |
| E18K | 2157 | 880 | 1877 | 280 | 125 | 310 | 150 | 180 | 300 |
| E19A | 2008 | 530 | 1693 | 315 | 150 | 345 | 160 | 200 | 300 |
| E19B | 2470 | 990 | 2155 | 315 | 150 | 345 | 160 | 200 | 300 |
| E19K | 2470 | 990 | 2155 | 315 | 150 | 345 | 160 | 200 | 300 |
| E1AA | 2234 | 610 | 1919 | 315 | 150 | 345 | 160 | 200 | 300 |
| E1AB | 2989 | 1100 | 2586 | 403 | 150 | 410 | 225 | 280 | 350 |
| E1AK | 2765 | 1100 | 2450 | 315 | 150 | 345 | 160 | 200 | 300 |
| E1BA | 2660 | 640 | 2232 | 428 | 200 | 450 | 225 | 280 | 350 |
| E1BK | 3261 | 1210 | 2833 | 428 | 200 | 450 | 225 | 280 | 350 |

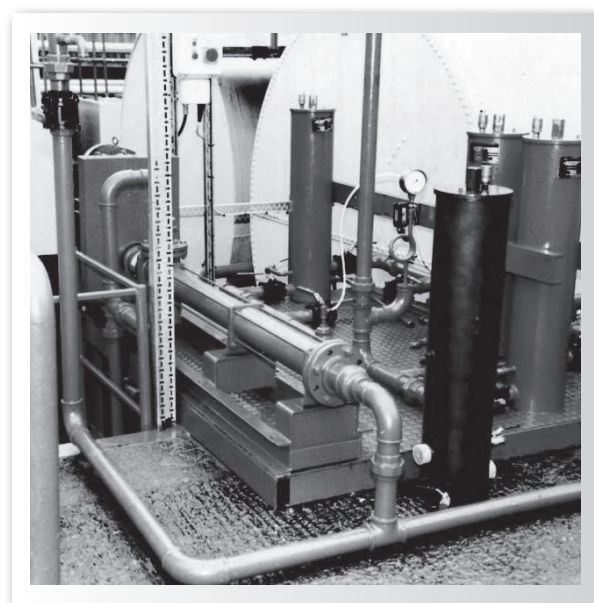


Small Epsilon Models - Standard Flexishaft

| MODEL | A | A1 | B | C | D | E | F | G | H |
|-------|------|-----|-----|-----|--------|-----|----|-----|-----|
| E11B | 577 | 105 | 444 | 133 | 1 1/4" | 146 | 85 | 120 | 160 |
| E11D | 721 | 115 | 588 | 133 | 1 1/4" | 146 | 85 | 120 | 160 |
| E12A | 577 | 105 | 444 | 133 | 1 1/4" | 146 | 85 | 120 | 160 |
| E12B | 721 | 115 | 588 | 133 | 1 1/4" | 146 | 85 | 120 | 160 |
| E12D | 1081 | 115 | 944 | 137 | 1 1/2" | 150 | 85 | 120 | 160 |
| E13K | 787 | 105 | 650 | 137 | 1 1/2" | 150 | 85 | 120 | 160 |
| E13A | 642 | 105 | 505 | 137 | 1 1/2" | 150 | 85 | 120 | 160 |
| E13B | 787 | 115 | 650 | 137 | 1 1/2" | 150 | 85 | 120 | 160 |
| E1XA | 726 | 135 | 569 | 157 | 50 | 190 | 85 | 120 | 160 |

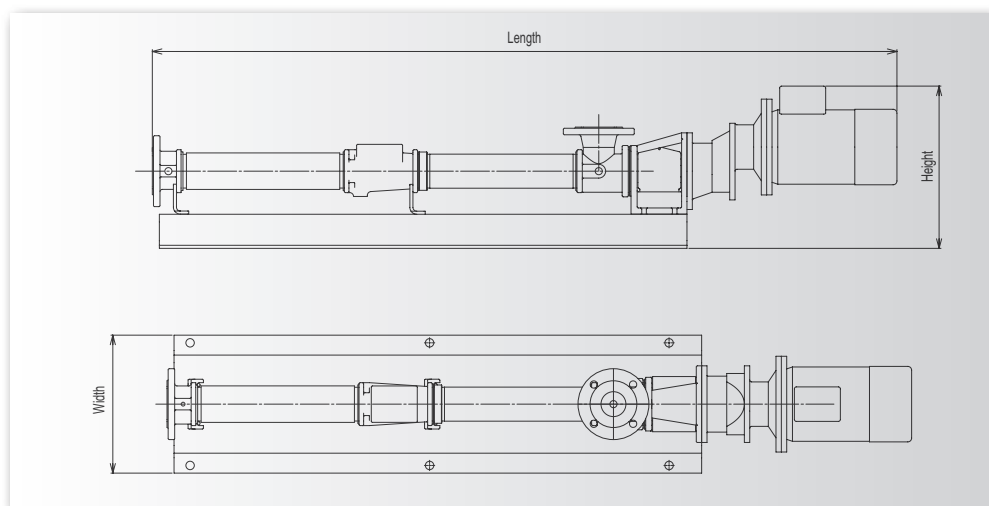
סידרה EPSILON

| MODEL | LENGTH | WIDTH | HEIGHT |
|-------|--------|-------|--------|
| E11B | 1132 | 300 | 304 |
| E11D | 1297 | 300 | 304 |
| E12A | 1132 | 300 | 304 |
| E12B | 1297 | 300 | 304 |
| E12D | 1666 | 300 | 304 |
| E13K | 1356 | 300 | 304 |
| E13A | 1206 | 300 | 304 |
| E13B | 1356 | 300 | 304 |
| E1XA | 1280 | 300 | 304 |



| STANDARD FLEXISHAFT MODELS | | | |
|----------------------------|--------|-------|--------|
| MODEL | LENGTH | WIDTH | HEIGHT |
| E14A | 1867 | 360 | 475 |
| E14B | 2188 | 420 | 475 |
| E14K | 2076 | 360 | 475 |
| E15A | 2040 | 360 | 475 |
| E15B | 2500 | 420 | 488 |
| E15K | 2300 | 420 | 475 |
| E16A | 2302 | 420 | 488 |
| E16B | 3167 | 520 | 609 |
| E16K | 2614 | 420 | 488 |
| E17A | 2893 | 420 | 584 |
| E17B | 3378 | 520 | 609 |
| E17K | 3291 | 520 | 609 |
| E18A | 3022 | 520 | 584 |
| E18B | 3788 | 520 | 649 |
| E18K | 3460 | 520 | 609 |
| E19A | 3443 | 520 | 649 |
| E19B | 3905 | 520 | 649 |
| E19K | 3905 | 520 | 649 |
| E1AA | 3676 | 625 | 649 |
| E1AB | 4378 | 520 | 727 |
| E1AK | 4207 | 520 | 649 |
| E1BA | 4101 | 520 | 727 |
| E1BK | 4653 | 520 | 727 |

| SHORT FLEXISHAFT MODELS | | | |
|-------------------------|--------|-------|--------|
| MODEL | LENGTH | WIDTH | HEIGHT |
| E14A | 1655 | 360 | 475 |
| E14B | 1975 | 420 | 475 |
| E14K | 1864 | 360 | 475 |
| E15A | 1827 | 360 | 475 |
| E15B | 2271 | 420 | 488 |
| E15K | 2087 | 420 | 475 |
| E16A | 2073 | 420 | 488 |
| E16B | 2847 | 520 | 609 |
| E16K | 2385 | 420 | 488 |
| E17A | 2573 | 420 | 584 |
| E17B | 3063 | 520 | 609 |
| E17K | 2931 | 520 | 609 |
| E18A | 3707 | 520 | 584 |
| E18B | 3401 | 520 | 649 |
| E18K | 3145 | 520 | 609 |
| E19A | 3056 | 520 | 649 |
| E19B | 3518 | 520 | 649 |
| E19K | 3518 | 520 | 649 |
| E1AA | 3282 | 625 | 649 |
| E1AB | 4037 | 520 | 727 |
| E1AK | 3813 | 520 | 649 |
| E1BA | 3713 | 520 | 727 |
| E1BK | 4312 | 520 | 727 |



סידרה HYGIENIC S-SL

סידרה זו של משאבות מתאימה לתעשיית המזון, ולתהליכי ייצור שבהם יש להימנע מאוורור החומר וטורבולנטיות בזמן ההעברה, ונדרש טיפול הגייני בחומר. המשאבה מאפשרת פירוק מהיר של חלקיה המאפשר שמירה על ניקיונה.

ספיקה מקס': 40m³/h

לחץ מקס': 9 בר.

שימושים: דבק, ריבות, בירה, תרופות, מיצים, קוסמטיקה.

מבנה המשאבה מחלקים בעלי שטחים חלקים המונעים הצטברות החומר,

כמו כן חלקי המתכת הינם נירוסטה חלקה. מיסבי המשאבה מבודדים מתא השאיבה למניעת זיהום משמני הסיכה.

ניתן לספק את המשאבה עם חיבורים בכניסה/יציאה לפי דרישת הלקוח

משאבה זו מיוצרת לפי UK HEALTH AND SAFETY AT WORK ACT 1974

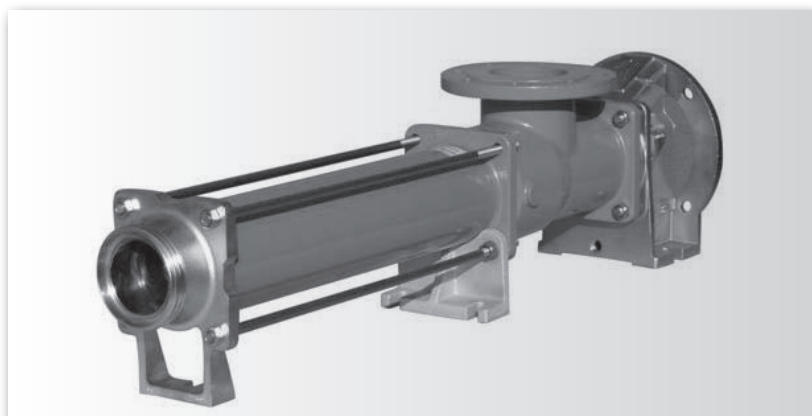
יתרונות המשאבה

יניקה עד 8.2 מטר

זרימה אחידה למניעת שבירת מוצרים רגישים.

מינימום חלקים הבאים במגע עם החומר הגורמים לשחיקתו.

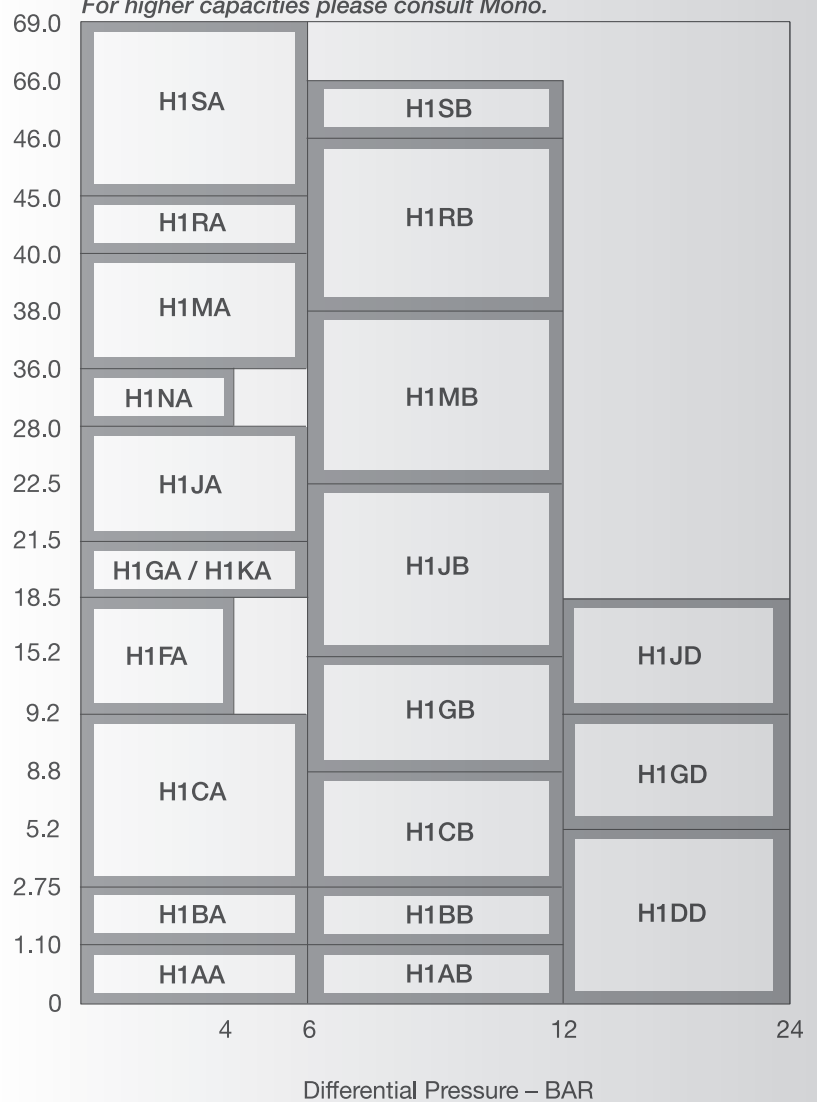
משאבה ליניקת חומרים בעלי צמיגות גבוהה, חומרים המכילים מוצקים עם תרחיפים.



סידרה HELIOS



For higher capacities please consult Mono.





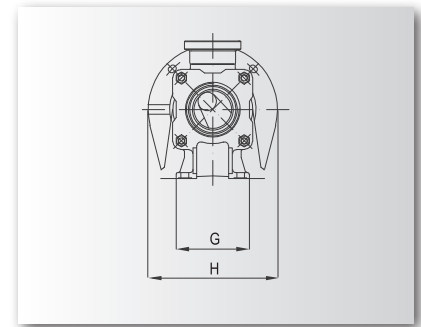
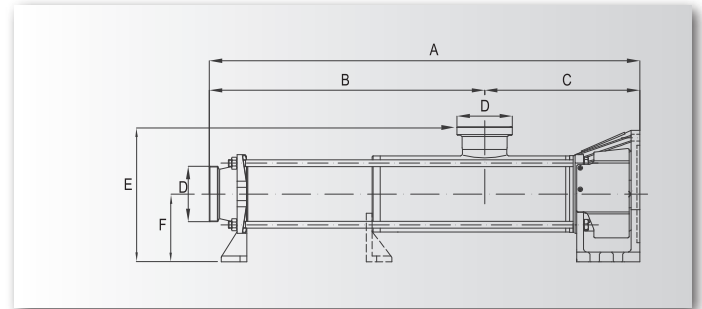
ש.אל.
ציוד מכני בע"מ

משאבות בורגיות

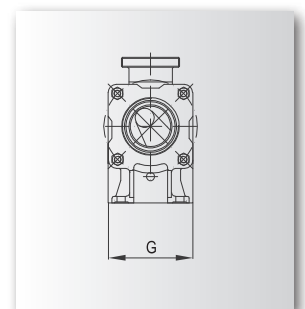
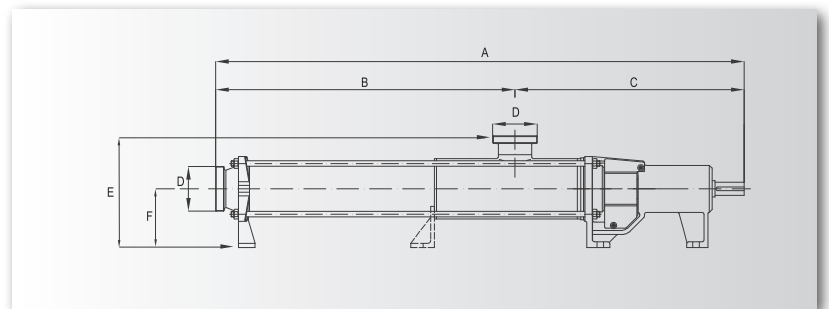
www.mono-pumps.com **Mono**[®]

HELIOS סידרה

| MODEL | A | B | C | D | E | F | G | H |
|-------|-------|------|-------|-----|-------|-----|-----|-----|
| H1AA | 351 | 236 | 115 | 25 | . | . | - | 105 |
| H1AB | 431 | 316 | 115 | 25 | . | . | - | 105 |
| H1BA | 475 | 344 | 131 | 40 | . | . | 42 | 160 |
| H1BB | 575 | 444 | 131 | 40 | . | . | 42 | 160 |
| H1CA | 650 | 452 | 198 | 50 | 186 | 100 | 68 | 200 |
| H1CB | 800 | 602 | 198 | 50 | 186 | 100 | 68 | 200 |
| H1DD | 1105 | 907 | 198 | 50 | 186 | 100 | 68 | 200 |
| H1EK | 817 | 619 | 198 | 50 | 186 | 100 | 68 | 200 |
| H1FA | 702 | 438 | 264 | 65 | 238 | 125 | 88 | 250 |
| H1GA | 702 | 438 | 264 | 65 | 238 | 125 | 88 | 250 |
| H1GB | 902 | 638 | 264 | 65 | 238 | 125 | 88 | 250 |
| H1GD | 1312 | 1048 | 264 | 65 | 238 | 125 | 88 | 250 |
| H1HK | 902 | 638 | 264 | 65 | 238 | 125 | 88 | 250 |
| H1JA | 762.5 | 536 | 226.5 | 80 | 259.5 | 140 | 100 | 250 |
| H1JB | 1019 | 786 | 233 | 80 | 272 | 140 | 100 | 250 |
| H1KA | 762.5 | 536 | 226.5 | 80 | 259.5 | 140 | 100 | 250 |
| H1LK | 1089 | 856 | 233 | 80 | 272 | 140 | 100 | 250 |
| H1MA | 1019 | 651 | 368 | 100 | 318 | 160 | 185 | 300 |
| H1MB | 1325 | 957 | 368 | 100 | 318 | 160 | 185 | 300 |
| H1NA | 1019 | 651 | 368 | 100 | 318 | 160 | 185 | 300 |
| H1PK | 1369 | 1001 | 368 | 100 | 318 | 160 | 185 | 300 |
| H1RA | 1059 | 691 | 368 | 100 | 318 | 160 | 185 | 300 |
| H1RB | 1409 | 1041 | 368 | 100 | 318 | 160 | 185 | 300 |
| H1SA | 1251 | 814 | 437 | 100 | 354 | 180 | 215 | 300 |
| H1SB | 1651 | 1214 | 437 | 100 | 354 | 180 | 215 | 300 |
| H1TK | 1565 | 1128 | 437 | 100 | 354 | 180 | 215 | 300 |



| MODEL | A | B | C | D | E | F | G |
|-------|------|------|-----|-----|-----|-----|-----|
| H1BA | 623 | 344 | 279 | 40 | 169 | 90 | 82 |
| H1BB | 723 | 444 | 279 | 40 | 169 | 90 | 82 |
| H1CA | 819 | 452 | 367 | 50 | 186 | 100 | 110 |
| H1CB | 966 | 599 | 367 | 50 | 186 | 100 | 110 |
| H1DD | 1274 | 907 | 367 | 50 | 186 | 100 | 110 |
| H1EK | 982 | 615 | 367 | 50 | 186 | 100 | 110 |
| H1FA | 926 | 438 | 488 | 65 | 238 | 125 | 138 |
| H1GA | 926 | 438 | 488 | 65 | 238 | 125 | 138 |
| H1GB | 1126 | 638 | 488 | 65 | 238 | 125 | 138 |
| H1GD | 1536 | 1048 | 488 | 65 | 238 | 125 | 138 |
| H1HK | 1126 | 638 | 488 | 65 | 238 | 125 | 138 |
| H1JA | 1022 | 536 | 486 | 80 | 260 | 140 | 155 |
| H1JB | 1279 | 786 | 493 | 80 | 272 | 140 | 155 |
| H1JD | 1801 | 1308 | 493 | 80 | 272 | 140 | 155 |
| H1KA | 1022 | 536 | 486 | 80 | 260 | 140 | 155 |
| H1LK | 1349 | 856 | 493 | 80 | 272 | 140 | 155 |
| H1MA | 1322 | 651 | 671 | 100 | 318 | 160 | 185 |
| H1MB | 1628 | 957 | 671 | 100 | 318 | 160 | 185 |
| H1NA | 1322 | 651 | 671 | 100 | 318 | 160 | 185 |
| H1PK | 1672 | 1001 | 671 | 100 | 318 | 160 | 185 |
| H1RA | 1362 | 691 | 671 | 100 | 318 | 160 | 185 |
| H1RB | 1712 | 1041 | 671 | 100 | 318 | 160 | 185 |
| H1SA | 1619 | 814 | 805 | 100 | 354 | 180 | 215 |
| H1SB | 2019 | 1214 | 805 | 100 | 354 | 180 | 215 |
| H1TK | 1933 | 1128 | 805 | 100 | 354 | 180 | 215 |



סידרה LF

סידרה זו של המשאבות מיועדת לספיקות מדויקות, לקבלת זרימה רציפה ואחידה. סידרה זו מיועדת למגוון רחב של כימיקלים תוקפניים, טמפרטורת הנוזל עד 70°C במבנה סטנדרטי של המשאבה.

חומר מבנה משאבה: נירו. 316 או פולטילן

חומרי מבנה סטטור: NATURAL , NITRILE , HIGH NITRILE ,HYPALON ,VITON ,HYDROGENATED NITRILE, .ETHYLENE PROPYLENE , WHITE NITRILE

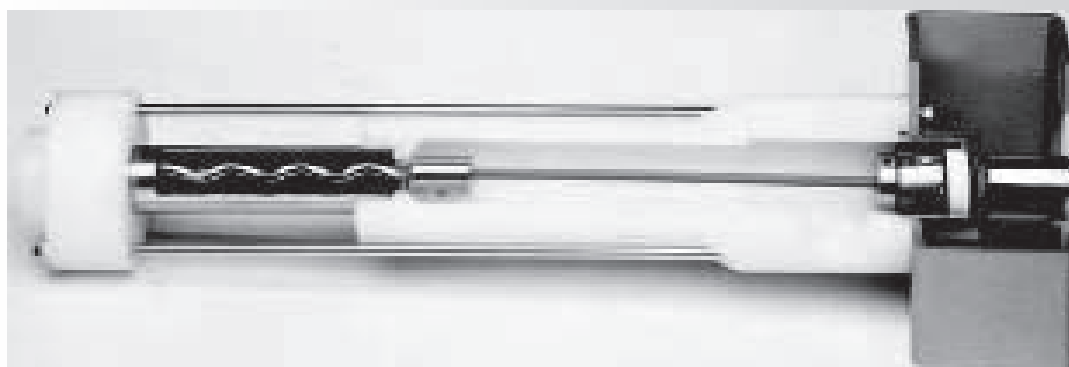
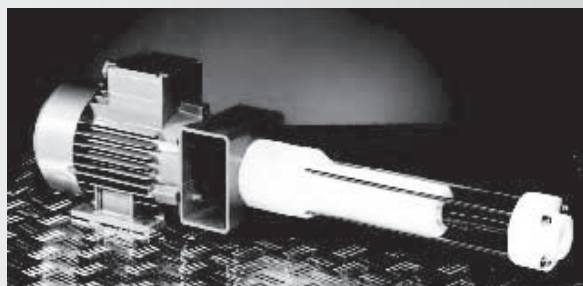
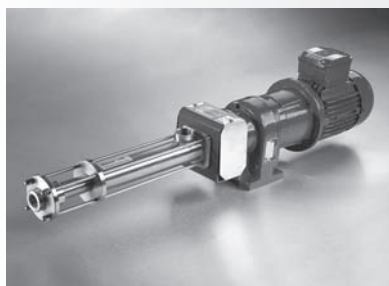
חומר מבנה רוטור: נירו. 316 או נירוסטה מצופה כרום

ספיקה מקס': 600 ליטר שעה,

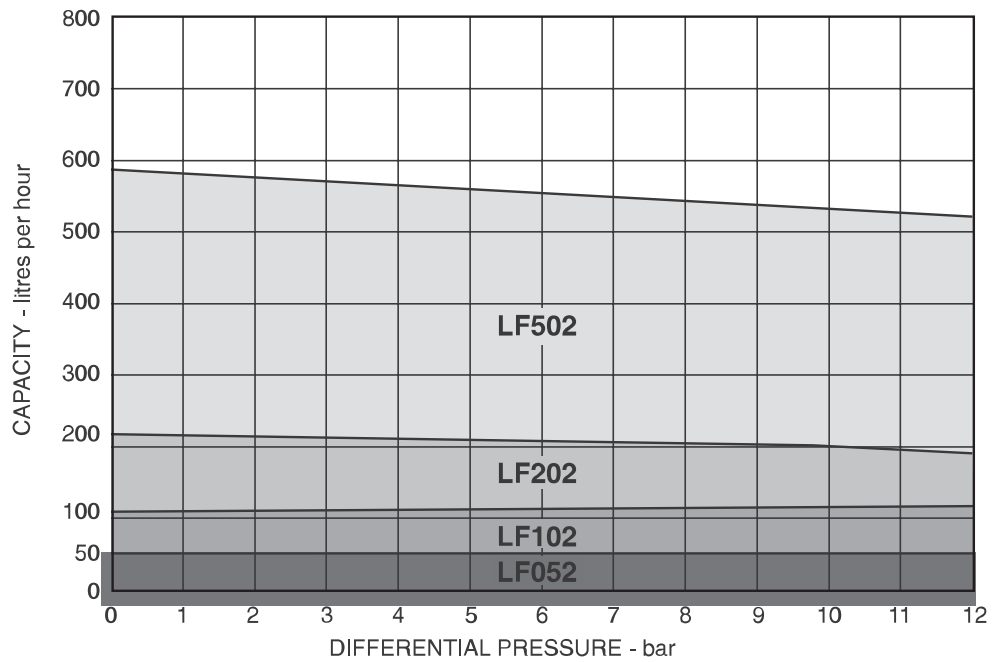
לחץ מקס': 12 בר

אטימה: אטם מכני

הנעה: הנעה ישירה (מהירות קבועה) או מנוע עם גיר ומשנה מהירות

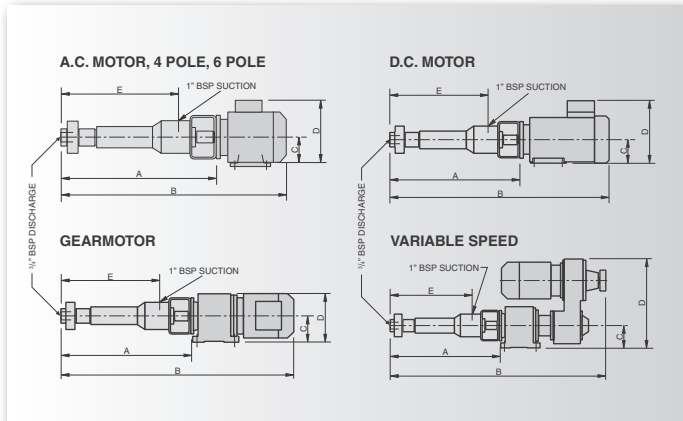


סידרה LF



| PUMP | | PRESSURE - bar | | | | | | | | | |
|--------------|-----------|----------------|-------|-----|-------|-----|-------|-----|-------|-----|-------|
| MODEL NUMBER | SPEED RPM | 0 | | 3 | | 6 | | 9 | | 12 | |
| | | l/h | l/min | l/h | l/min | l/h | l/min | l/h | l/min | l/h | l/min |
| LF052 | 1750 | 65 | 1.08 | 63 | 1.05 | 61 | 1.02 | 59 | 0.98 | 58 | 0.97 |
| | 1450 | 52 | 0.87 | 51 | 0.85 | 50 | 0.83 | 48 | 0.80 | 47 | 0.78 |
| | 1000 | 36 | 0.60 | 35 | 0.58 | 34 | 0.57 | 32 | 0.54 | 31 | 0.52 |
| | 700 | 25 | 0.42 | 24 | 0.40 | 23 | 0.38 | 22 | 0.36 | 21 | 0.35 |
| | 400 | 14 | 0.23 | 13 | 0.22 | 12 | 0.20 | 11 | 0.18 | 10 | 0.17 |
| LF102 | 1750 | 108 | 1.80 | 104 | 1.73 | 100 | 1.67 | 95 | 1.59 | 92 | 1.53 |
| | 1450 | 90 | 1.50 | 87 | 1.44 | 83 | 1.38 | 78 | 1.31 | 75 | 1.25 |
| | 1000 | 62 | 1.03 | 59 | 0.98 | 55 | 0.92 | 52 | 0.86 | 49 | 0.82 |
| | 700 | 44 | 0.73 | 41 | 0.68 | 37 | 0.62 | 34 | 0.56 | 31 | 0.52 |
| | 400 | 25 | 0.42 | 23 | 0.38 | 20 | 0.33 | 16 | 0.27 | 13 | 0.22 |
| LF202 | 1750 | 215 | 3.58 | 209 | 3.48 | 202 | 3.37 | 196 | 3.26 | 192 | 3.20 |
| | 1450 | 180 | 3.00 | 174 | 2.89 | 167 | 2.78 | 160 | 2.67 | 156 | 2.60 |
| | 1000 | 122 | 2.03 | 117 | 1.95 | 112 | 1.87 | 105 | 1.75 | 100 | 1.67 |
| | 700 | 86 | 1.43 | 82 | 1.36 | 77 | 1.28 | 70 | 1.17 | 65 | 1.08 |
| | 400 | 50 | 0.83 | 45 | 0.75 | 40 | 0.67 | 35 | 0.58 | 30 | 0.50 |
| LF502 | 1750 | 580 | 9.67 | 565 | 9.42 | 550 | 9.17 | 533 | 8.89 | 525 | 8.75 |
| | 1450 | 480 | 8.00 | 469 | 7.82 | 458 | 7.63 | 440 | 7.33 | 428 | 7.13 |
| | 1000 | 330 | 5.50 | 319 | 5.31 | 307 | 5.12 | 291 | 4.86 | 280 | 4.67 |
| | 700 | 230 | 3.83 | 219 | 3.65 | 208 | 3.47 | 194 | 3.23 | 182 | 3.03 |
| | 400 | 135 | 2.25 | 123 | 2.04 | 110 | 1.83 | 98 | 1.64 | 88 | 1.47 |

סידרה LF



| DRIVE VARIATION | PUMP MODEL | A | B | C | D | E |
|-----------------|-------------|-----|-----|----|-----|-----|
| A.C. MOTOR | LF052/LF102 | 444 | 699 | 80 | 213 | 334 |
| | LF202 | 466 | 721 | 80 | 213 | 356 |
| | LF502 | 498 | 753 | 80 | 213 | 388 |
| D.C. MOTOR | LF052/LF102 | 444 | 752 | 80 | 213 | 334 |
| | LF202 | 466 | 774 | 80 | 213 | 356 |
| | LF502 | 498 | 806 | 80 | 213 | 388 |
| GEARMOTOR | LF052/LF102 | 444 | 846 | 90 | 164 | 334 |
| | LF202 | 466 | 868 | 90 | 164 | 356 |
| | LF502 | 498 | 900 | 90 | 164 | 388 |
| VARIABLE SPEED | LF052/LF102 | 444 | 876 | 90 | 359 | 334 |
| | LF202 | 466 | 898 | 90 | 359 | 356 |
| | LF502 | 498 | 930 | 90 | 359 | 388 |

- All dimensions are given for guidance only. For full certified drawings refer to Mono Pumps., Audenshaw, Manchester.
- All dimensions in millimetres unless otherwise stated.

| FEATURE | DESCRIPTION | BASIC PUMP CODING | | | | | | | | | | STD. VAR. | | | | | |
|---|---------------------------------|-------------------|---|---|---|---|---|---|---|---|----|-----------|----|----|----|----|--|
| | | 1 | 2 | 3 | 4 | 5 | 6 | 7 | 8 | 9 | 10 | 11 | 12 | 13 | 14 | 15 | |
| BODY MATERIALS | UHMW POLYETHYLENE | P | | | | | | | | | | | | | | | |
| | STAINLESS STEEL | S | | | | | | | | | | | | | | | |
| PUMP DESIGN | LOW FLOW | | L | F | | | | | | | | | | | | | |
| NOMINAL PUMP | 60 Litres/h | | | | 0 | 5 | | | | | | | | | | | |
| | 100 Litres/h | | | | 1 | 0 | | | | | | | | | | | |
| | 200 Litres/h | | | | 2 | 0 | | | | | | | | | | | |
| | 500 Litres/h | | | | 5 | 0 | | | | | | | | | | | |
| PUMP STAGES | TWO | | | | | | 2 | | | | | | | | | | |
| DRIVE ARRANGEMENT | DRIVE TYPE (see table below) | | | | | | | 1 | | | | | | | | | |
| | | | | | | | | 2 | | | | | | | | | |
| | | | | | | | | | 3 | | | | | | | | |
| | | | | | | | | | 4 | | | | | | | | |
| MARK NUMBER | 1992 | | | | | | | | 1 | | | | | | | | |
| STATOR MATERIAL | NATURAL | | | | | | | | | | A | | | | | | |
| | NITRILE | | | | | | | | | | R | | | | | | |
| | HIGH NITRILE | | | | | | | | | | J | | | | | | |
| | HYPALON | | | | | | | | | | H | | | | | | |
| | VITON | | | | | | | | | | V | | | | | | |
| | HYDROGENATED NITRILE | | | | | | | | | | O | | | | | | |
| ETHYLENE PROPYLENE | | | | | | | | | | E | | | | | | | |
| WHITE NITRILE | | | | | | | | | | W | | | | | | | |
| ROTATING PARTS (refer to Section 1, page 3) | 316S16 Rotor | | | | | | | | | | 5 | | | | | | |
| | 316S16 Rotor (HCP or Ceramic) | | | | | | | | | | 8 | | | | | | |
| | Hastelloy | | | | | | | | | | 9 | | | | | | |
| Drive Reference | 'G' – BS Std. | | | | | | | | | | | / | G | | | | |
| | 'E' – American Std. | | | | | | | | | | | / | P | | | | |
| Temperature Rotor Coding | Mark 0 Rotor | | | | | | | | | | | | | 4 | 1 | 3 | |
| | Mark 3 Rotor | | | | | | | | | | | | | 4 | 2 | 1 | |
| | Mark 5 Rotor | | | | | | | | | | | | | 4 | 2 | 3 | |
| EXAMPLE OF TYPICAL CODING | | P | L | F | 2 | 0 | 2 | 1 | 1 | A | 5 | / | G | | | | |

| | DRIVE DESCRIPTION | REMARKS |
|--------------|--|--|
| DRIVE TYPE 1 | AC MOTOR – IEC80 – B14 | FOOT AND FACE MOUNT – B14 19mm SHAFT DIAMETER |
| DRIVE TYPE 2 | GEARED MOTOR AC VARIABLE SPEED (BELT) | FOOT AND FLANGE – B5 20mm SHAFT DIAMETER |
| DRIVE TYPE 3 | GEARED MOTOR AC VARIABLE SPEED (BELT) | FOOT AND FLANGE – B5 19mm SHAFT DIAMETER |
| DRIVE TYPE 4 | ON APPLICATION | |

חלקים אוניברסלים תוצרת מונו

למונו מוניטין באיכות החלקים ובציוד. בשנים האחרונות זו הייתה המשימה להשתמש בייצור נרחב ומומחיות הנדסית להרחבת המוצר המוצע, שכולל איכות גבוהה של חלקים ומותגים אחרים למשאבות תהליך בורגיות. מונו מייצרת ומספקת חלקים למגוון משאבות בורגיות, של יצרנים שונים להלן בחירה תמציתית

| Orbit | Bornemann | Robbins&Myers | Allweiler | PCM | Netzsch | Seepex |
|-----------|-----------|---------------|-----------|-----------------|---------|--------|
| סדרה C | סדרה E | סדרות 2000 | SEP | ID + I | NM | 6L |
| סדרה B+A | | L (Fram) | D (2/3) | +IVA IDVA | NE (S) | BN |
| סדרה E+ D | | | AE.E/N/H | MR/MV-I ID + | NU | MD |



רוטורים
סטטורים
מוטות מקשר
צירים
הרכבות סדרות הנעה
אטמים
דיסקיות
סכינים למגרסות

סידרה MUNCHER

מרסק חומרי אשפה כגון: ניילון, פלסטיק, חבלים, פחיות שתייה, עצים, וכל חומר אשפה שהוא. **שיטת העבודה\התקנה:** להרכיב את המגרסה ביניקה או על קו השופכין לבור או התקנה בתוך תעלה. המרסקת בנויה משתי שורות של סכינים (העשויים מחומר וידיה וידיה) המסתובבים בכיוונים הפוכים ומהירות שונות.

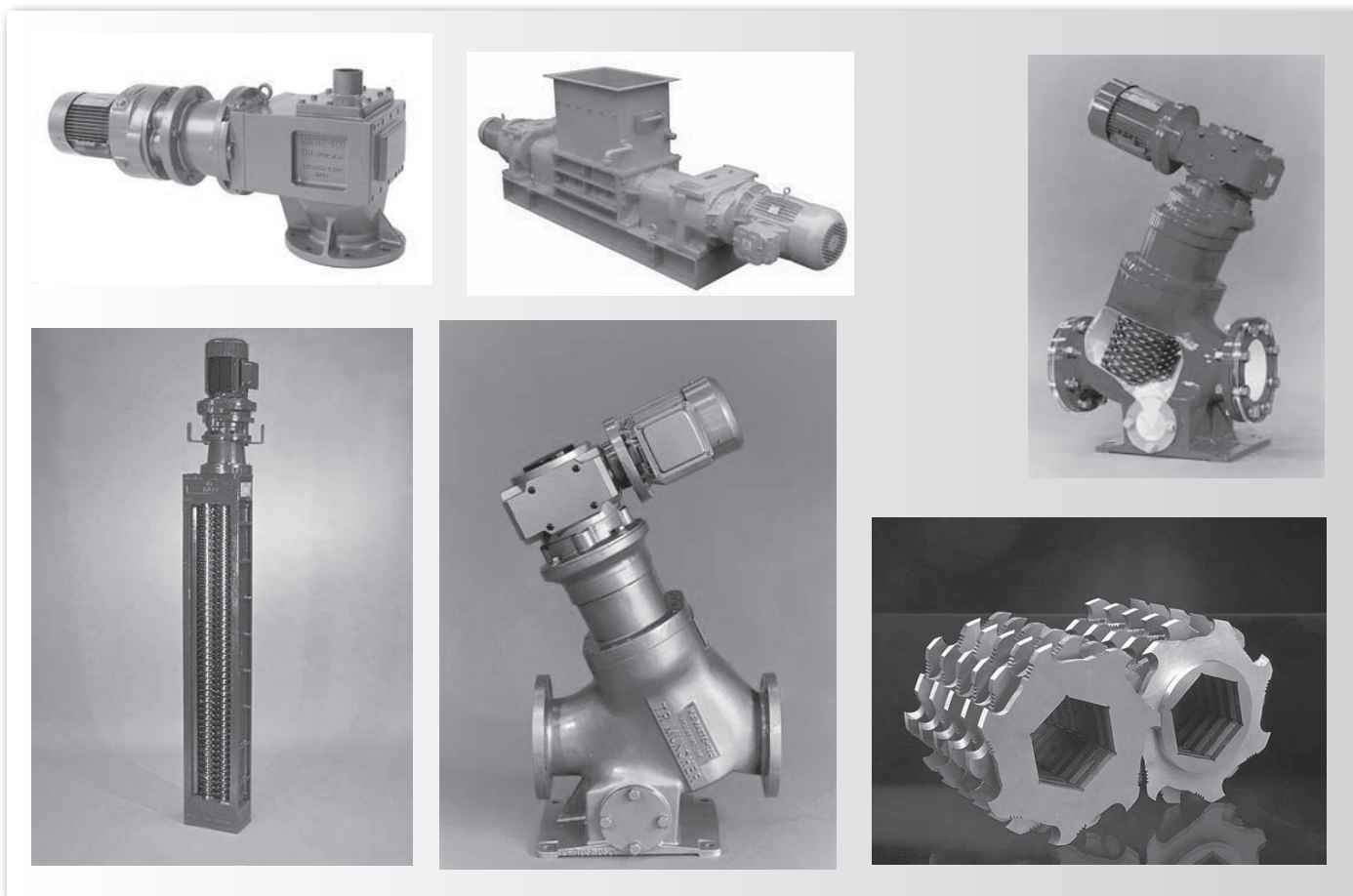
כאשר המרסק ניתקל בהתנגדות זרם המנוע עולה, המנוע נעצר ומתבצעת פעולה הפוכה של כיוון הסיבוב למשך 60 שניות, על מנת לשחרר את הסתימה.

פעולה זו חוזרת על עצמה שלוש פעמים ורק לאחר מכן מתקבלת התראת תקלה. המגרסה מסופקת עם לוח חשמל אינטגרלי.

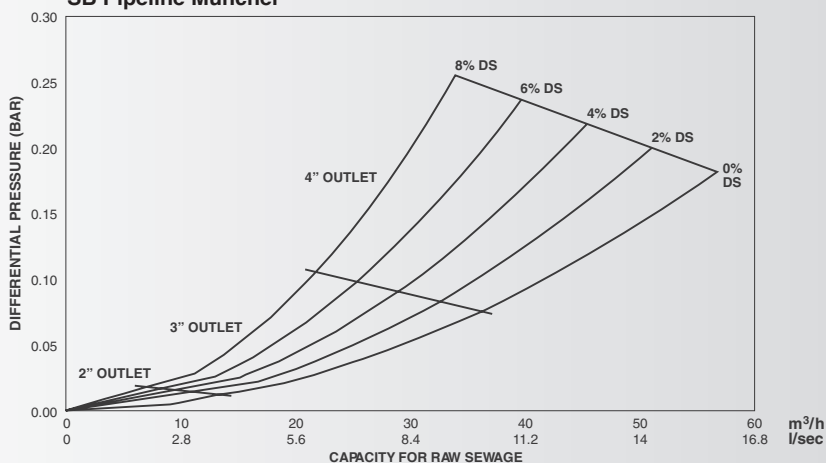
יתרונות: ספיקות גדולות בהספק נמוך ובלאי נמוך (מספר סיבובים נמוך)

ספיקה מקס': 1400m³\h

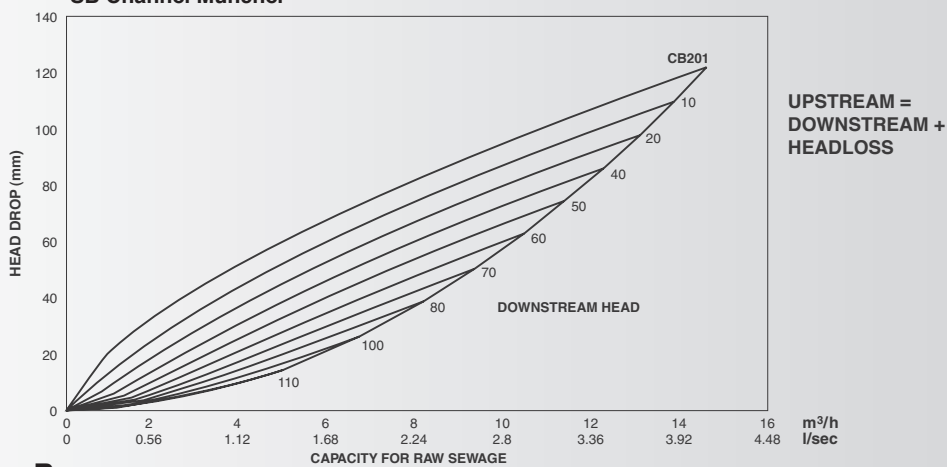
מנוע עם דרגת אטימות IP68



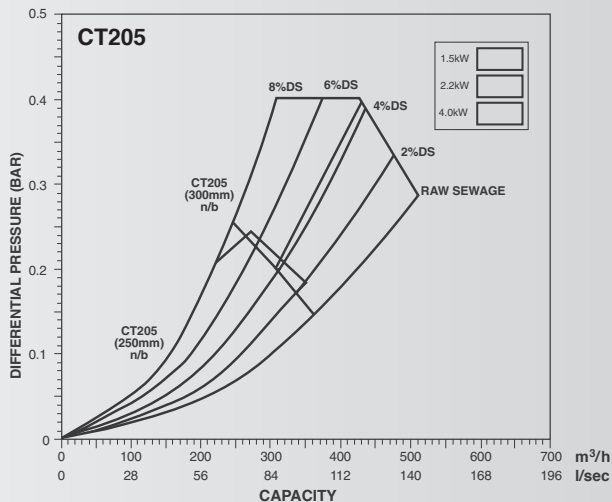
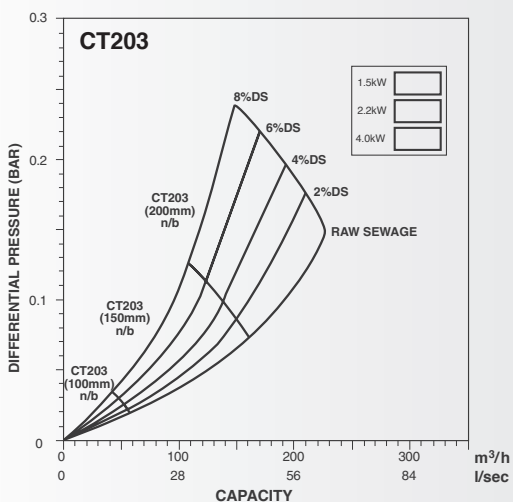
SB Pipeline Muncher



SB Channel Muncher

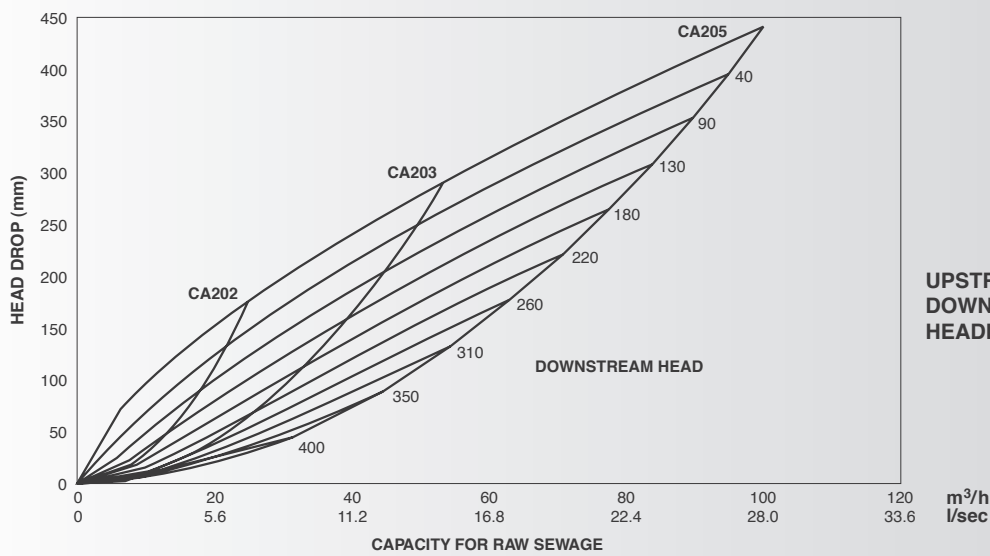


TR Muncher Range

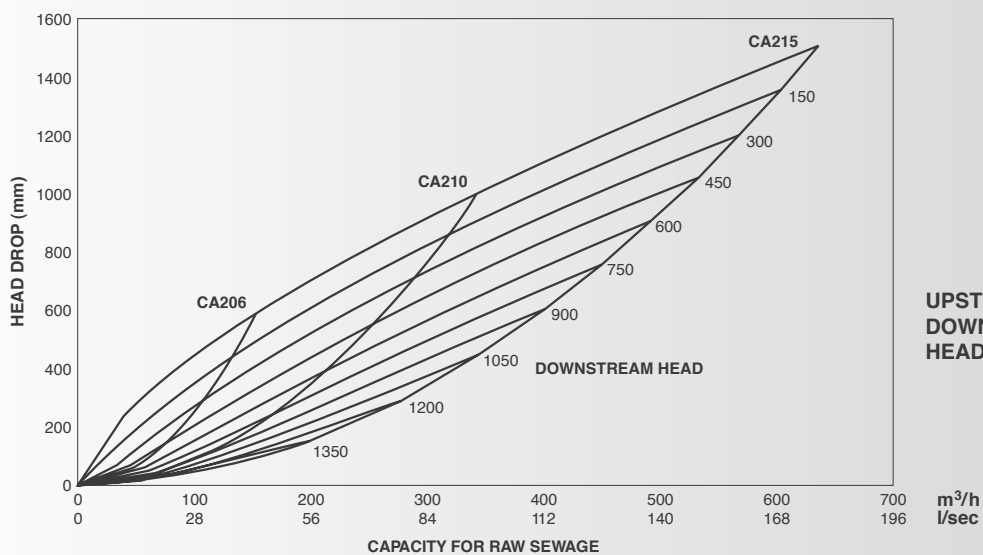


MUNCHER סידרה

Standard Series 'A' Channel



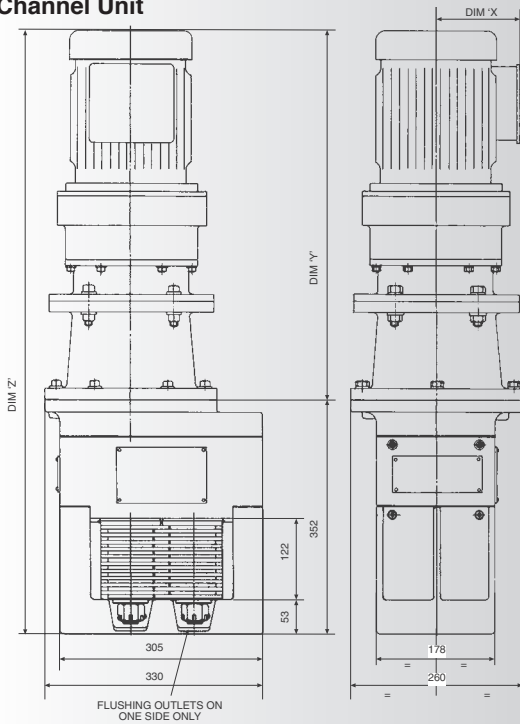
Standard Series 'A' Channel



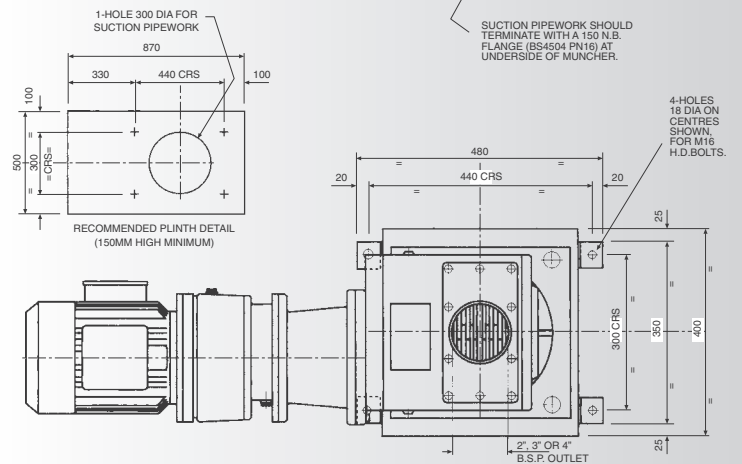
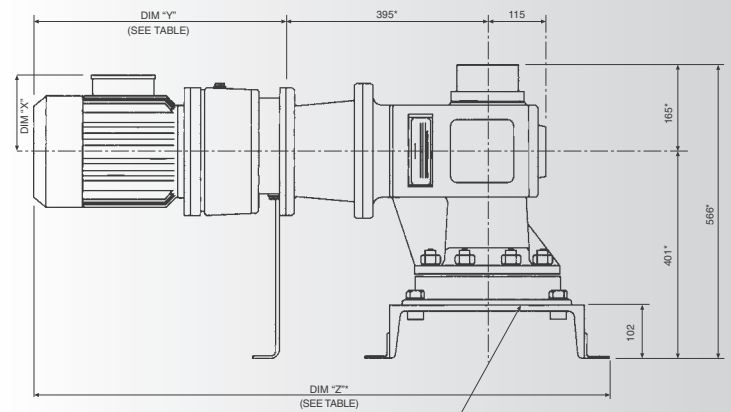
NOTE: For high flow options, capacities will be increased by approximately 40%

MUNCHER סידרה

Channel Unit



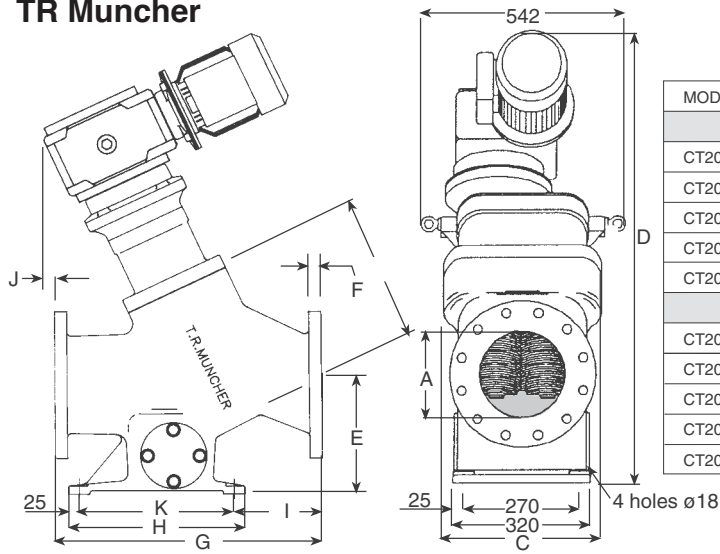
| Motor | | Dim 'X' | Dim 'Y' | Dim 'Z' | Weight kg |
|-------|---------|---------|---------|---------|-----------|
| kW | IP | | | | |
| 1.1 | 55 | 135 | 657 | 1009 | 155 |
| | 67 & 68 | 241 | 679 | 1031 | 200 |
| 1.5 | 55 | 140 | 717 | 1069 | 190 |
| | 67 & 68 | 241 | 717 | 1069 | 225 |
| 2.2 | 55 | 154 | 739 | 1091 | 195 |
| | 67 & 68 | 289 | 746 | 1098 | 260 |



| Motor | Dim 'X' | Dim 'Y' | Dim 'Z' | Weight kg |
|-------|---------|---------|---------|-----------|
| 1.1kW | 135 | 507 | 1142 | 208 |
| 1.5kW | 140 | 567 | 1202 | 244 |
| 2.2kW | 154 | 589 | 1224 | 248 |

MUNCHER סידרה

TR Muncher

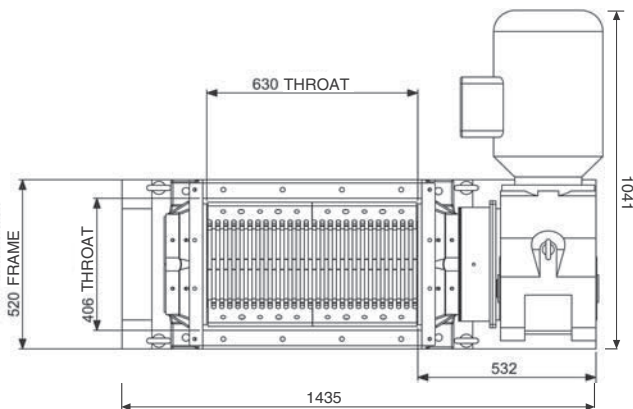


All dimensions in mm unless stated otherwise.

| MODEL No. | A | C | D | E | F | G | H | I | J | K | R | MAX Wt kg |
|--------------------|-----|-----|------|-----|----|-----|-----|-----|-----|-----|-----|-----------|
| 1.5 kW MOTOR | | | | | | | | | | | | |
| CT203C | 100 | 370 | 1020 | 205 | 24 | 489 | 410 | 124 | 140 | 360 | 363 | 290 |
| CT203D | 150 | 370 | 1050 | 230 | 25 | 540 | 410 | 155 | 40 | 360 | 354 | 290 |
| CT203E | 200 | 370 | 1050 | 256 | 29 | 591 | 410 | 205 | 16 | 360 | 341 | 290 |
| CT205F | 250 | 370 | 1190 | 281 | 32 | 692 | 460 | 205 | 30 | 410 | 494 | 345 |
| CT205G | 300 | 370 | 1190 | 332 | 32 | 794 | 460 | 263 | -17 | 410 | 472 | 345 |
| 2.2 & 4.0 kW MOTOR | | | | | | | | | | | | |
| CT203C | 100 | | | 205 | 24 | 489 | 410 | 124 | 169 | 360 | 363 | 340 |
| CT203D | 150 | | | 230 | 25 | 540 | 410 | 155 | 97 | 360 | 354 | 340 |
| CT203E | 200 | | | 256 | 29 | 591 | 410 | 205 | 72 | 360 | 341 | 340 |
| CT205F | 250 | | | 281 | 32 | 692 | 460 | 205 | 87 | 410 | 494 | 390 |
| CT205G | 300 | | | 332 | 32 | 794 | 460 | 263 | 40 | 410 | 472 | 390 |

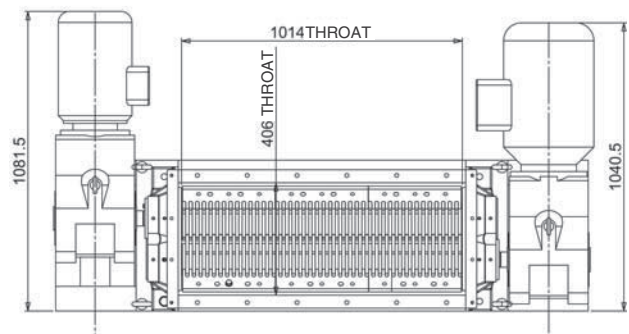
600mm Throat

Weight = 780kg
Unit Depth = 650mm
Drive = 11kW



1000mm Throat

Weight = 1180kg
Unit Depth = 650mm
Drive = 11kW & 7.5kW



ALL DIMENSIONS IN MM UNLESS OTHERWISE STATED

MUNCHER סידרה

1.5kW IP55 motors (dimensions in millimetres)

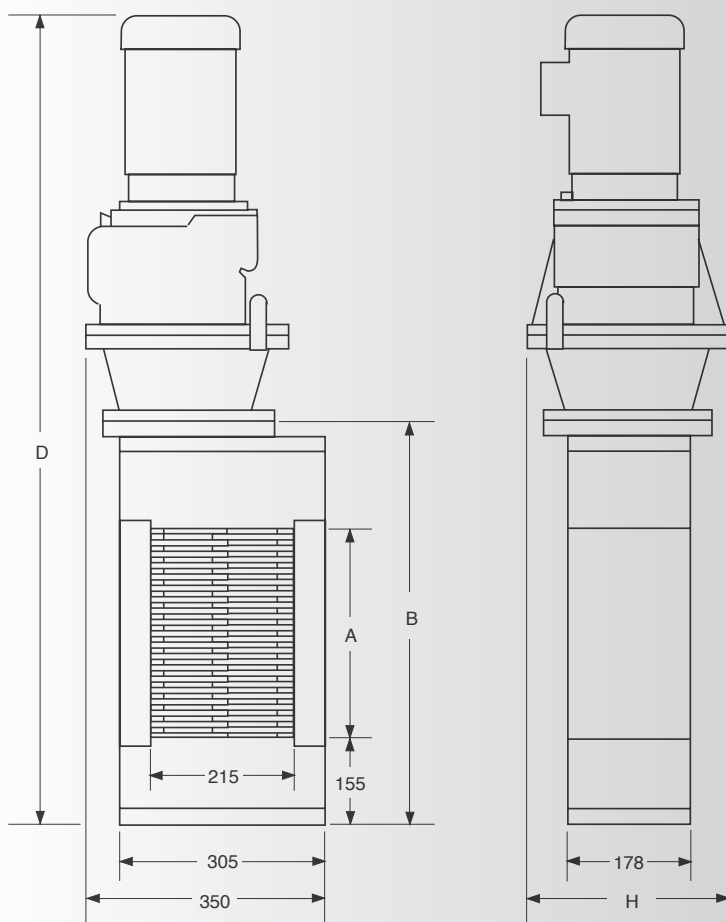
| Model No. | A | B | D | H | Wt. kg |
|-----------|------|------|------|-----|--------|
| CA202AA | 175 | 515 | 1080 | 260 | 220 |
| CA203AA | 290 | 629 | 1194 | 260 | 230 |
| CA205AA | 440 | 779 | 1344 | 260 | 255 |
| CA206AA | 585 | 924 | 1489 | 260 | 265 |
| CA210AA | 1000 | 1339 | 1904 | 260 | 330 |

2.2kW IP55 motors (dimensions in millimetres)

| Model No. | A | B | D | H | Wt. kg |
|-----------|------|------|------|-----|--------|
| CA202AB | 175 | 515 | 1146 | 260 | 235 |
| CA203AB | 290 | 629 | 1258 | 260 | 245 |
| CA205AB | 440 | 779 | 1408 | 260 | 265 |
| CA206AB | 585 | 924 | 1553 | 260 | 275 |
| CA210AB | 1000 | 1339 | 1970 | 260 | 350 |
| CA215AB | 1510 | 1849 | 2480 | 260 | 420 |

4.0kW motors IP55 (dimensions in millimetres)

| Model No. | A | B | D | H | Wt. kg |
|-----------|------|------|------|-----|--------|
| CA202AC | 175 | 515 | 1197 | 300 | 265 |
| CA203AC | 290 | 629 | 1311 | 300 | 275 |
| CA205AC | 440 | 779 | 1461 | 300 | 295 |
| CA206AC | 585 | 924 | 1606 | 300 | 305 |
| CA210AC | 1000 | 1339 | 2021 | 300 | 380 |
| CA215AC | 1510 | 1849 | 2533 | 300 | 450 |



NOTE:

On IP67 & IP68 motor dimension D is increased by 74mm on 1.5kW motors.

18mm on 2.2kW motors.

165mm on 4.0kW motors.





ש.אל.
ציוד מכני בע"מ

www.mono-pumps.com

Mono
PUMPS

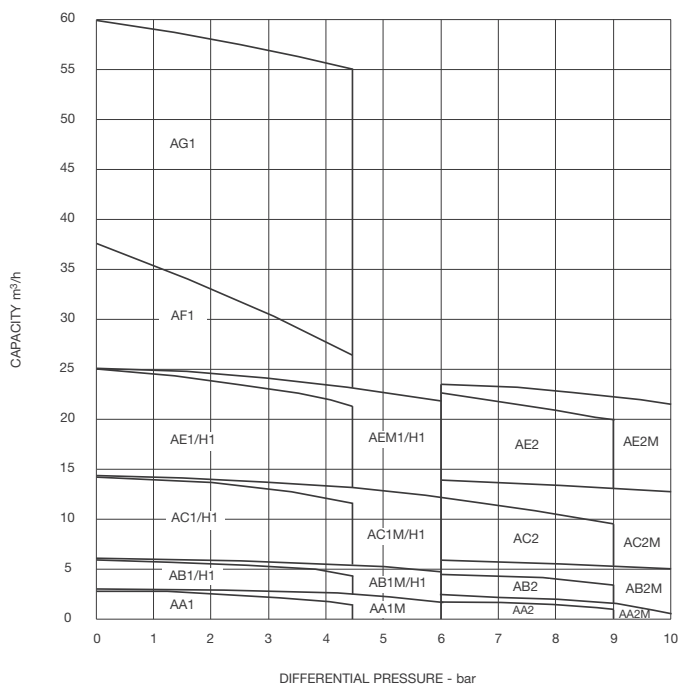
משאבות בורגיות MONO אנגליה

משאבות תוצרת MONO הנם מותג בתחום המשאבות הבורגיות בישראל, משווקות מעל 45 שנה בישראל, משאבות מתוצרת MONO ידועות באיכותכם הגבוהה ובאמינותם, משאבות אלו מסופקות עם הנעה בהתאם לדרישת הלקוח.

חומרי מבנה משאבות יציקת ברזל, נירוסטה 316 "היסטלוד".
חומר מבנה סטטור: נטריל, וויטון, הייפלון, EPDM
אטימה: חבל אטימה, אטם מכני בודד או כפול.

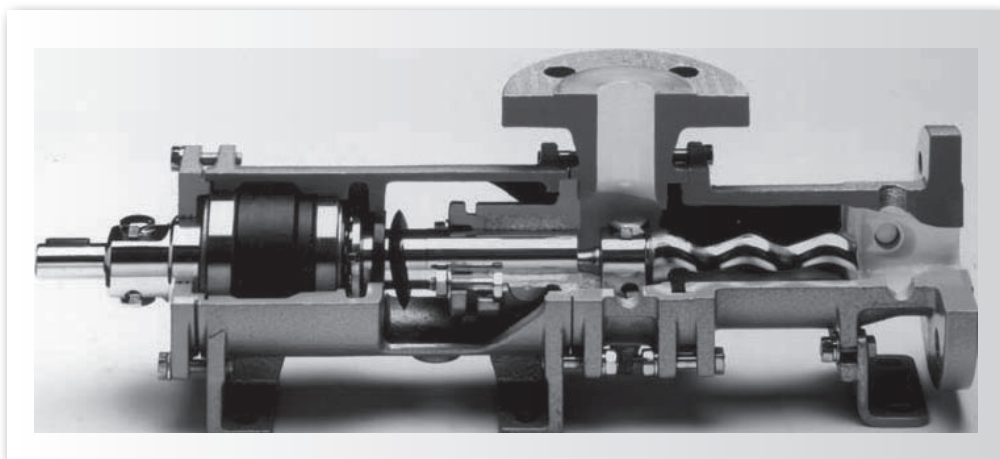
משאבות תוצרת MONO אנגליה הנם מותג בתחום המשאבות הבורגיות בישראל, משווקות ומובילות מעל 45 שנה בישראל, משאבות מתוצרת MONO ידועות באיכותכם הגבוהה ובאמינותם, משאבות אלו מסופקות עם הנעה בהתאם לדרישת הלקוח.

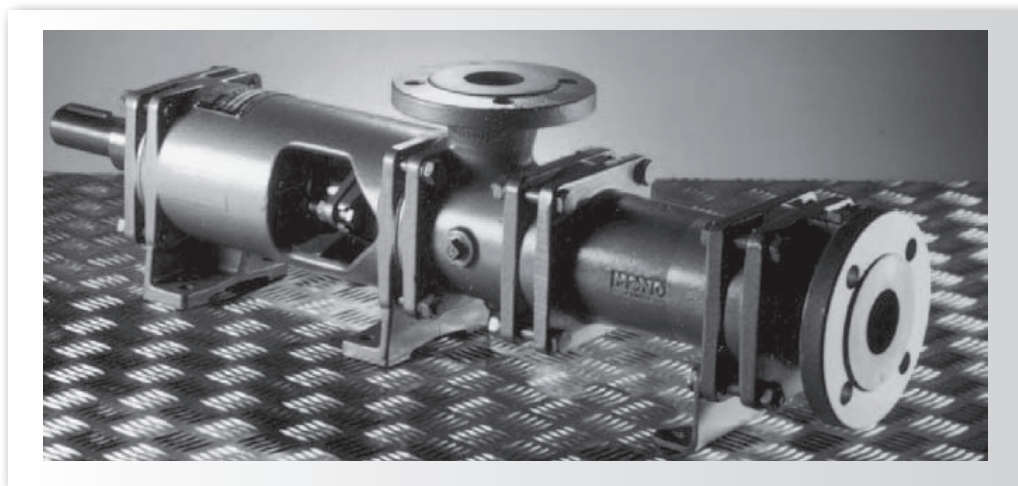
חומרי מבנה: יציקת ברזל, נירוסטה 316. "היסטלוד".
חומר מבנה סטטור: נטריל, וויטון, הייפלון, EPDM
אטימה: חבל אטימה, אטם מכני בודד או כפול.



סידרה MERLIN BARESHAFT RANGE

המשאבה הפופולרית ביותר, ספיקה עד 60m³/h
לחץ: עד 6 בר דרגה אחת, או 12 בר לשתי דרגות.
ניתן לקבל סטטור יצוק גומי או סטטור גומי בתוך שרוול ניפרד.
טמפרטורה: 100°C - 10°C





| PUMP MODEL NO. | PRESSURE - bar | | | | | | | | | | | | | |
|-------------------|-------------------|--------------------|-------------------|--------------------|-------------------|--------------------|-------------------|--------------------|-------------------|--------------------|-------------------|--------------------|-------------------|--------------------|
| | 0 | | 2 | | 3 | | 4 | | 6 | | 9 | | 10 | |
| | m ³ /h | ABS Power kW | m ³ /h | ABS Power kW | m ³ /h | ABS Power kW | m ³ /h | ABS Power kW | m ³ /h | ABS Power kW | m ³ /h | ABS Power kW | m ³ /h | ABS Power kW |
| AA1H | 2.25 | 0.20 | 2.10 | 0.34 | 2.00 | 0.40 | 1.70 | 0.50 | -- | -- | -- | -- | -- | -- |
| AA1M | 2.30 | 0.24 | 2.20 | 0.39 | 2.15 | 0.45 | 2.10 | 0.54 | 1.85 | 0.66 | -- | -- | -- | -- |
| AA2H | 2.40 | 0.36 | 2.25 | 0.47 | 2.18 | 0.53 | 2.05 | 0.62 | 1.95 | 0.70 | 1.75 | 0.90 | -- | -- |
| AA2M | 2.35 | 0.40 | 2.28 | 0.52 | 2.25 | 0.57 | 2.22 | 0.68 | 2.20 | 0.75 | 2.00 | 0.94 | 1.94 | 1.00 |
| AB1H | 5.80 | 0.45 | 5.40 | 0.85 | 5.10 | 1.10 | 4.40 | 1.35 | -- | -- | -- | -- | -- | -- |
| AB1M | 6.00 | 0.50 | 5.80 | 0.77 | 5.60 | 0.93 | 5.30 | 1.18 | 5.00 | 1.40 | -- | -- | -- | -- |
| AB2H | 6.00 | 0.48 | 5.70 | 0.80 | 5.50 | 1.00 | 5.20 | 1.25 | 4.90 | 1.45 | 4.10 | 1.95 | -- | -- |
| AB2M | 5.70 | 0.65 | 5.60 | 1.00 | 5.55 | 1.15 | 5.50 | 1.40 | 5.00 | 1.60 | 5.45 | 2.10 | 5.40 | 2.20 |
| AC1H | 14.60 | 0.70 | 13.60 | 1.50 | 12.90 | 1.95 | 11.60 | 2.60 | -- | -- | -- | -- | -- | -- |
| AC1M | 16.00 | 0.90 | 15.60 | 1.70 | 15.00 | 2.20 | 14.60 | 2.80 | 14.30 | 3.40 | -- | -- | -- | -- |
| AC2H | 15.20 | 0.90 | 15.00 | 1.70 | 14.80 | 2.20 | 14.30 | 2.70 | 13.40 | 3.40 | 12.00 | 4.60 | -- | -- |
| AC2M | 15.10 | 1.10 | 14.80 | 2.00 | 14.60 | 2.60 | 14.20 | 3.30 | 14.00 | 3.90 | 13.00 | 5.10 | 14.80 | 5.60 |
| AE1H | 25.50 | 0.80 | 23.70 | 2.20 | 22.50 | 3.00 | 20.00 | 4.00 | -- | -- | -- | -- | -- | -- |
| AE1M | 24.70 | 1.00 | 24.00 | 2.40 | 23.50 | 3.20 | 23.00 | 4.20 | 21.40 | 5.20 | -- | -- | -- | -- |
| AE2H | 26.00 | 1.70 | 25.50 | 3.00 | 25.20 | 4.00 | 24.50 | 4.80 | 23.00 | 5.40 | 20.00 | 8.00 | -- | -- |
| AE2M | 26.00 | 1.20 | 25.60 | 2.50 | 25.30 | 4.00 | 25.00 | 5.00 | 24.00 | 5.60 | 22.50 | 7.80 | 21.00 | 8.60 |
| AF1 | 37.00 | 1.00 | 35.00 | 2.80 | 32.50 | 4.00 | 29.00 | 5.40 | -- | -- | -- | -- | -- | -- |
| AG1 | 61.00 | 3.00 | 58.00 | 6.80 | 57.00 | 8.60 | 55.00 | 11.20 | -- | -- | -- | -- | -- | -- |

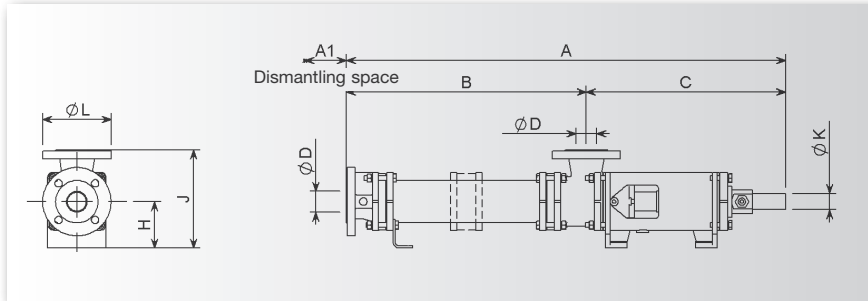


Diagram 1. Models AA, AB, AC & AE.
Typical Builds H and M.
Cast Iron and Stainless Steel

| PUMP SIZE | A | A1 | B | C | D | E | E1 | F | F1 | F2 | G | G1 | H | J | K | L | Wt. kg |
|--------------------|------|-----|-----|-----|-----|----|----|-----|-----|-----|-----|-----|-----|-----|----|-----|--------|
| AA1H AA1M | 521 | 50 | 192 | 329 | 32 | 10 | 8 | 118 | 155 | 129 | 75 | 75 | 80 | 175 | 19 | 140 | 20 |
| AA2H AA2M | 612 | 158 | 283 | 329 | 32 | 10 | 8 | 118 | 155 | 219 | 75 | 75 | 80 | 175 | 19 | 140 | 23 |
| AB1H/H1 AB1M/H1 | 610 | 150 | 232 | 378 | 40 | 10 | 10 | 152 | 160 | 164 | 92 | 100 | 90 | 195 | 24 | 150 | 33 |
| AB2H AB2M | 745 | 220 | 367 | 378 | 40 | 10 | 10 | 152 | 160 | 299 | 92 | 100 | 90 | 195 | 24 | 150 | 40 |
| AC1H/H1 AC1M/H1 | 843 | 240 | 362 | 481 | 50 | 12 | 12 | 200 | 200 | 297 | 110 | 113 | 112 | 237 | 38 | 165 | 56 |
| AC2H AC2M | 1061 | 396 | 580 | 481 | 50 | 12 | 12 | 200 | 200 | 516 | 110 | 113 | 112 | 237 | 38 | 165 | 55 |
| AE1H/H1 AE1M/H1 | 1047 | 300 | 454 | 593 | 80 | 16 | 16 | 232 | 245 | 370 | 140 | 145 | 132 | 282 | 38 | 200 | 114 |
| AE2H AE2M | 1327 | 490 | 734 | 593 | 80 | 16 | 16 | 232 | 245 | 650 | 140 | 145 | 132 | 282 | 38 | 200 | 130 |
| AA1F | 521 | 110 | 192 | 329 | 32 | 10 | 8 | 118 | 155 | 147 | 75 | 55 | 80 | 175 | 19 | 140 | 118 |
| AA2F | 612 | 158 | 283 | 329 | 32 | 10 | 8 | 118 | 155 | 238 | 75 | 55 | 80 | 175 | 19 | 140 | 20 |
| AB1F/H1 | 610 | 150 | 232 | 378 | 40 | 10 | 10 | 152 | 160 | 181 | 92 | 70 | 90 | 195 | 24 | 150 | 30 |
| AB2F | 745 | 220 | 367 | 378 | 40 | 10 | 10 | 152 | 160 | 316 | 92 | 70 | 90 | 195 | 24 | 150 | 33 |
| AC1F/H1 | 843 | 240 | 362 | 481 | 50 | 12 | 12 | 200 | 200 | 315 | 110 | 74 | 112 | 237 | 38 | 165 | 50 |
| AC2F | 1061 | 396 | 580 | 481 | 50 | 12 | 12 | 200 | 200 | 533 | 110 | 74 | 112 | 237 | 38 | 165 | 66 |
| AE1F/H1 | 1047 | 300 | 454 | 593 | 80 | 16 | 12 | 232 | 245 | 413 | 140 | 110 | 132 | 282 | 38 | 200 | 105 |
| AE2F | 1327 | 490 | 734 | 593 | 80 | 16 | 12 | 232 | 245 | 693 | 140 | 110 | 132 | 282 | 38 | 200 | 117 |
| AA1G AA1N | 574 | 30 | 175 | 329 | 32 | 10 | 8 | 118 | 155 | 129 | 75 | 75 | 80 | 175 | 19 | 140 | 20 |
| AA2G AA2N | 665 | 100 | 266 | 329 | 32 | 10 | 8 | 118 | 155 | 219 | 75 | 75 | 80 | 175 | 19 | 140 | 23 |
| AB1G/H1 AB1N/H1 | 696 | 35 | 243 | 378 | 40 | 10 | 10 | 152 | 160 | 164 | 92 | 100 | 90 | 195 | 24 | 150 | 33 |
| AB2G AB2N | 831 | 150 | 378 | 378 | 40 | 10 | 10 | 152 | 160 | 299 | 92 | 100 | 90 | 195 | 24 | 150 | 40 |
| AC1G/H1 AC1N/H1 | 929 | 60 | 365 | 481 | 50 | 12 | 12 | 200 | 200 | 297 | 110 | 113 | 112 | 237 | 38 | 165 | 56 |
| AC2G AC2N | 1148 | 285 | 584 | 481 | 50 | 12 | 12 | 200 | 200 | 516 | 110 | 113 | 112 | 237 | 38 | 165 | 55 |
| AE1G/H1 AE1N/H1 | 1163 | 60 | 470 | 593 | 80 | 16 | 16 | 232 | 245 | 370 | 140 | 145 | 132 | 282 | 38 | 200 | 114 |
| AE2G AE2N | 1446 | 360 | 753 | 593 | 80 | 16 | 16 | 232 | 245 | 650 | 140 | 145 | 132 | 282 | 38 | 200 | 130 |
| AF1H | 1047 | 300 | 454 | 593 | 80 | 16 | 16 | 232 | 245 | 508 | 140 | 145 | 132 | 282 | 38 | 200 | 120 |
| AF1G | 1163 | 60 | 470 | 593 | 80 | 16 | 16 | 232 | 245 | 508 | 140 | 145 | 132 | 282 | 38 | 200 | 120 |
| AG1M | 1342 | 300 | 560 | 782 | 100 | 20 | 20 | 325 | 315 | 640 | 150 | 170 | 180 | 360 | 55 | 220 | 150 |
| AG1N | 1430 | 180 | 538 | 782 | 100 | 20 | 20 | 325 | 315 | 645 | 150 | 170 | 180 | 360 | 55 | 220 | 160 |

| FEATURES | DESCRIPTION | BASIC PUMP CODING | | | | | | | | |
|---|---|-------------------|---|---|---|---|---|---|---|---|
| | | 1 | 2 | 3 | 4 | 5 | 6 | 7 | 8 | 9 |
| BODY MATERIALS | Cast Iron | C | | | | | | | | |
| | Stainless Steel | S | | | | | | | | |
| PUMP DESIGN | Industrial Standard | | A | | | | | | | |
| PUMP DISPLACEMENT | 2.3 m ³ /h @ 1450 rpm | | | A | | | | | | |
| | 6.0 m ³ /h @ 1450 rpm | | | B | | | | | | |
| | 16.0 m ³ /h @ 1450 rpm | | | C | | | | | | |
| | 25.5 m ³ /h @ 960 rpm | | | E | | | | | | |
| | 37.0 m ³ /h @ 960 rpm | | | F | | | | | | |
| | 61.0 m ³ /h @ 720 rpm | | | G | | | | | | |
| PUMP STAGES | One | | | | 1 | | | | | |
| | Two | | | | 2 | | | | | |
| DRIVE ARRANGEMENT | Standard - All Pumps | | | | | 2 | | | | |
| STATOR TYPE INCLUDING END COVER | MTM Stator & Str. Thro' End Cover | | | | | | M | | | |
| | MTM Stator & 90° End Cover | | | | | | N | | | |
| | FM Stator & Comb. Barrel & Str.Thro'EC | | | | | | F | | | |
| | FM Stator & Sep. Barrel & 90° EC | | | | | | G | | | |
| | FM Stator & Sep. Str. Thro' EC | | | | | | H | | | |
| MARK NUMBER | 1983 | | | | | | | 1 | | |
| STATOR MATERIALS | Natural Rubber 69-75 IRHD | | | | | | | | | A |
| | Natural Rubber 59-65 IRHD | | | | | | | | | B |
| | Natural Rubber White Food Quality | | | | | | | | | D |
| | Hypalon Chlorosulphonated Rubber | | | | | | | | | H |
| | High Nitrile | | | | | | | | | J |
| | Cast Urethane | | | | | | | | | K |
| | Neoprene White Food Quality | | | | | | | | | M |
| | Industrial Nitrile 65-72 IRHD | | | | | | | | | R |
| | Viton 75-80 IRHD | | | | | | | | | V |
| | Nitrile White Food Quality | | | | | | | | | W |
| ROTATING PART MATERIALS ROTOR/SHAFT/ COUPLING ROD | 905M31R Nitralloy Rotor - 220M07 HCP Mild Steel Shaft | | | | | | | | | 2 |
| | 316S16 HCP Stainless Steel Rotor - 220M07 HCP Mild Steel Shaft | | | | | | | | | 3 |
| | BD3 HCP Tool Steel Rotor - 220M07 HCP Mild Steel Shaft | | | | | | | | | 4 |
| | 316S16 Stainless Steel Rotor - 316S16 Stainless Steel Shaft | | | | | | | | | 5 |
| | 316S16 HCP Stainless Steel Rotor - 316S16 Stainless Steel Shaft | | | | | | | | | 8 |
| Example of Typical Coding As Seen on Pump Nameplate | | C | A | C | 1 | 2 | M | 1 | R | 3 |