

Principal Applications

For applications requiring safe, leak-free, continuous flow of aggressive chemicals, acids, alkalis, sterile and chilled fluids.

Wetted Materials

Standard EPDM O Ring, optional Nitrile or Viton
PP encapsulated magnet
PP Housing, PPS optional
PPS spindle housing
Alumina ceramic spindle

Features

Manufactured in chemical resistant thermo-plastics – entirely non-metallic
Magnetic couplings provide an energy efficient thermal shield,
minimising heat transfer to the pumped fluid
IPX5 standard motor housing. IP55 version available.
Deep groove ball bearings

NEMP40/6

230V 1Ph 50Hz
230V 1Ph 50Hz
230V 1Ph 60Hz
230V 1Ph 60Hz

Port Details

Plain 21mm
3/8"bsp Male
Plain 21mm
3/8"bsp Male

NEMP40/6

110V 1Ph 50Hz
110V 1Ph 50Hz
110V 1Ph 60Hz
110V 1Ph 60Hz

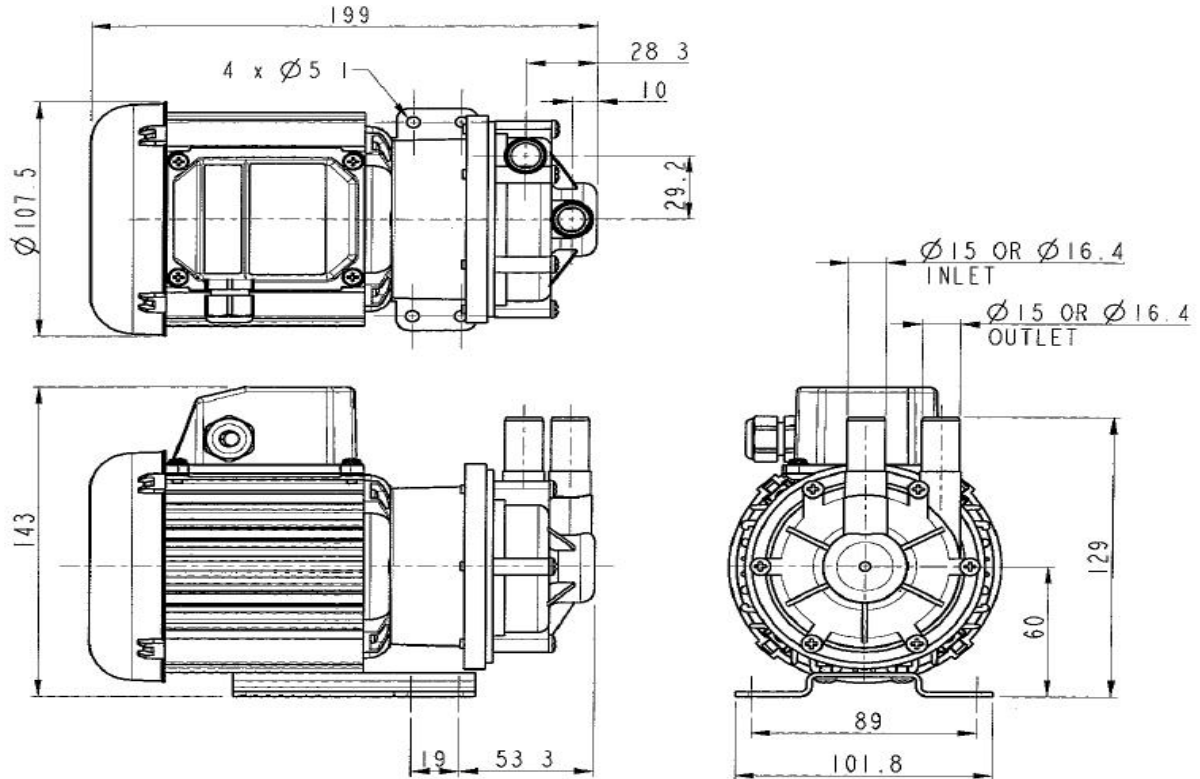
Port Details

Plain 21mm
3/8"bsp Male
Plain 21mm
3/8"bsp Male

Installation

Drawings not to scale
Dimensions in millimetres

NEMP40/6

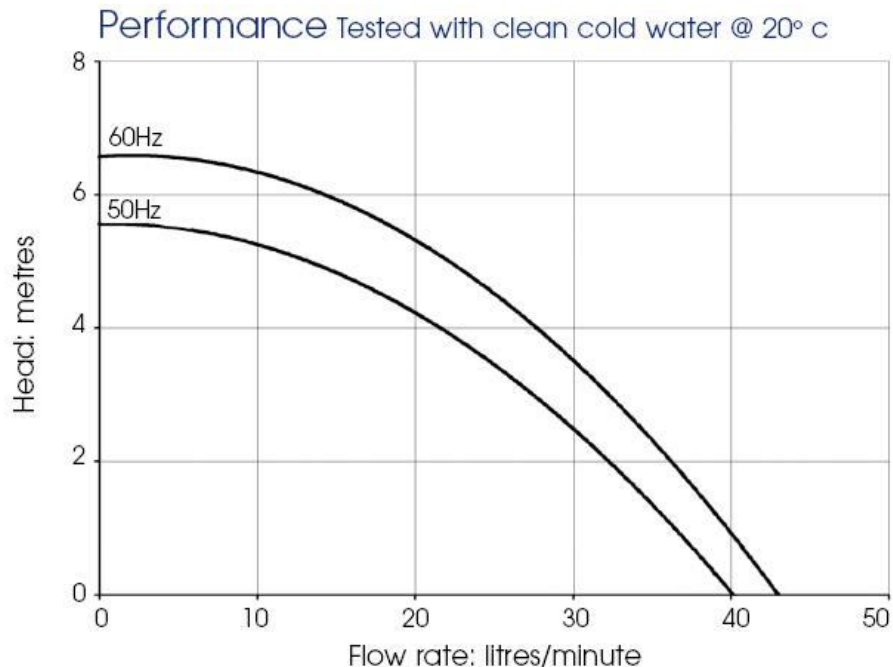


Specification

Model	Overall height (mm)	Overall length (mm)	Overall width (mm)	Weight (kg)	Max body pressure (bar)	Run-out flow rate (l/min)	Closed valve head (m)	Temp range (degC)	*Max specific gravity	Motor output (watts)
NEMP40/6	143	200	102	3.0	1.4	50Hz 40	50Hz 5.6	-20 to +85	1.2	60
						60Hz 43	60Hz 6.5			

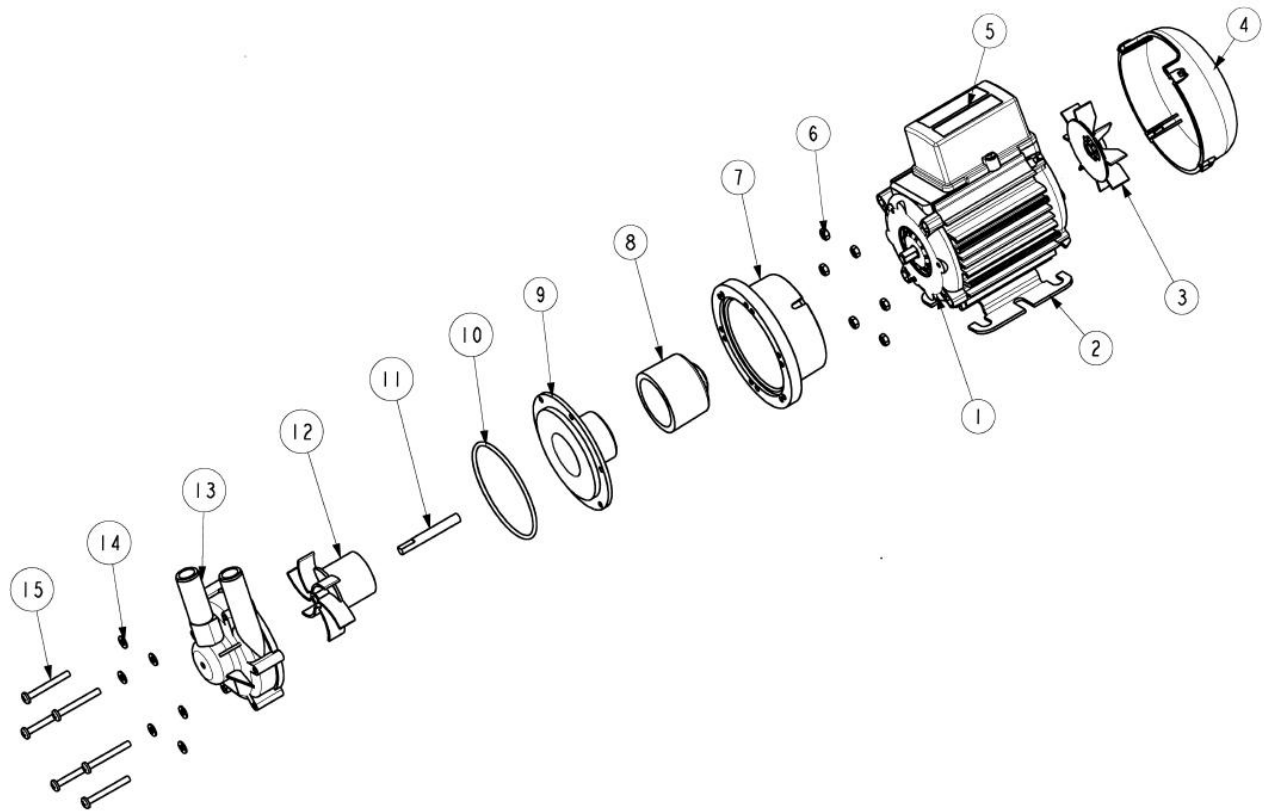
*Assuming maximum viscosity of 30cp. Refer to Totton Pumps for higher viscosities and specific gravities

Performance



NOTE: These magnetically coupled pumps are designed for use with clean fluids. Solids will cause jamming. Abrasives will reduce pump life & invalidate the warranty. NEMP pumps are not self priming & are not designed to run dry. The company reserves the right to change specifications

Part List



Item Number	Description	Quantity	Part Number		
1	Motor	1	116842 (230 V)		116875 (110V)
2	Mounting Foot	1	036329		
3	Fan	1	001577		
4	Fan Cowl	1	036085		
5	Terminal Box	1	036078		
6	Nut	6	032105		
7	Adaptor	1	036324		
8	Drive Magnet	1	006287		
9	Spindle Housing	1	016311		
10	O ring	1	013290 (EPDM)	003398 (Nitrile)	021056 (Viton)
11	Spindle	1	006244		
12	Impeller	1	016355 (50Hz)		026215 (60Hz)
13	Pump Body	1	016303 (plain ports)		036354 (threaded ports)
14	Washer	6	001565		
15	Screw	6	022115		

Totton Pumps Ltd.
 Tel: +44 (0)23 8066 6685
 Fax: +44 (0)23 8066 6880
 Email: info@totton-pumps.com
 Web: www.totton-pumps.co.uk