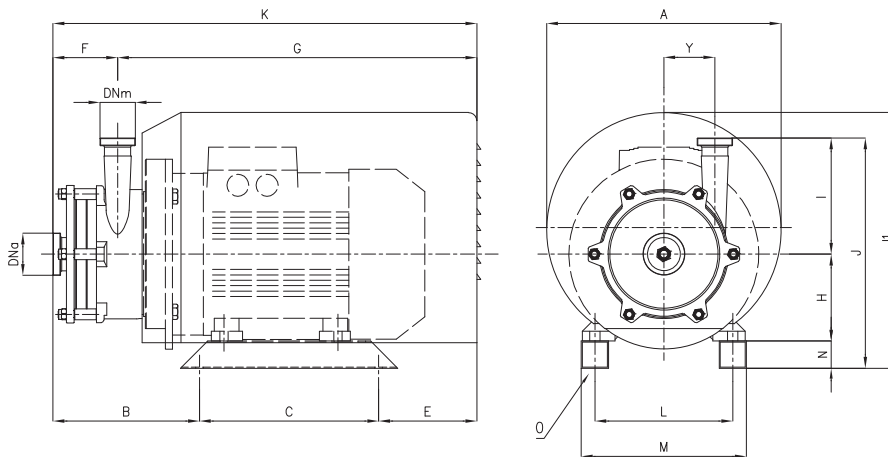


Dimensions not binding - DN = DIN 11851 male threaded connections

| Pumps | 2900 rpm | kW | DNa | DNm | ØA | B | D | F | G | H | I | K | J | M | Y | Weight |
|-------|----------|-----|-----|-----|-------|-----|-----|-----|-----|-----|-----|-----|-----|-------|------|--------|
| CV 11 | | 1,1 | 32 | 25 | 238,5 | 92 | 230 | 56 | 395 | 178 | 150 | 451 | 315 | 136,5 | 66,5 | |
| CV 12 | | 1,5 | 32 | 25 | 238,5 | 118 | 230 | 80 | 395 | 178 | 150 | 477 | 315 | 136,5 | 66,5 | |
| CV 13 | | 2,2 | 32 | 25 | 238,5 | 140 | 230 | 104 | 395 | 178 | 150 | 499 | 315 | 136,5 | 66,5 | |
| CV 14 | | 3 | 32 | 25 | 238,5 | 164 | 230 | 128 | 395 | 178 | 150 | 523 | 315 | 136,5 | 66,5 | |

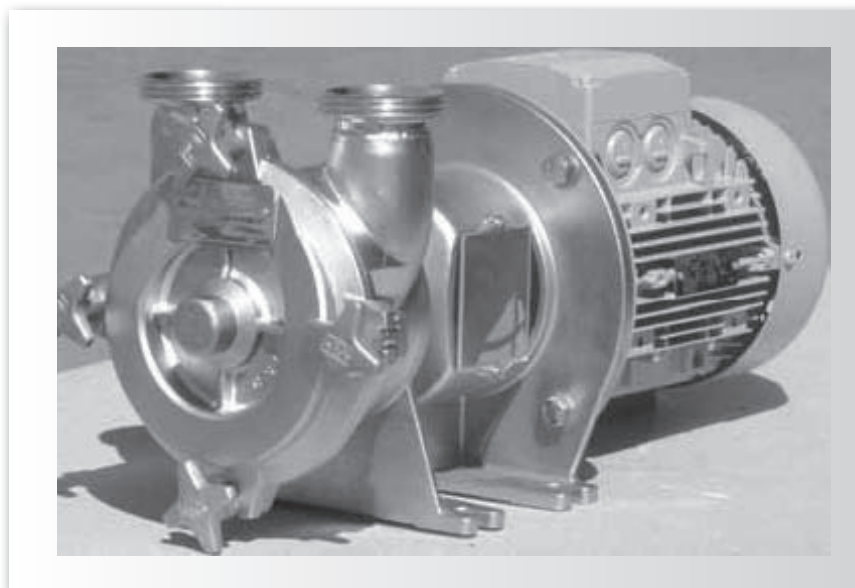


Dimensions not binding - DN = DIN 11851 male threaded connections

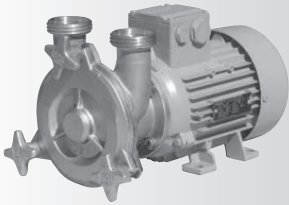
| Pumps | 2900 rpm | kW | DNa | DNm | ØA | B | C | E | F | G | H | I | J | J1 | K | L | M | N | O | Y | Weight |
|-------|----------|------|-----|-----|-----|-------|-----|-------|-----|-----|-----|-----|-----|-----|-----|-----|-----|----|----|----|--------|
| CV 51 | | 2,2 | 50 | 40 | 298 | 186,5 | 200 | 107,5 | 80 | 414 | 90 | 214 | 344 | - | 494 | 140 | 180 | 40 | 10 | 94 | |
| CV 52 | | 4 | 50 | 40 | 298 | 232 | 230 | 141 | 119 | 484 | 100 | 214 | 364 | - | 603 | 160 | 210 | 50 | 12 | 94 | |
| CV 53 | | 7,5 | 50 | 40 | 298 | 271 | 230 | 141 | 158 | 484 | 112 | 214 | 376 | - | 642 | 190 | 240 | 50 | 12 | 94 | |
| CV 61 | | 3 | 50 | 40 | 298 | 193 | 230 | 141 | 80 | 484 | 100 | 214 | 364 | - | 564 | 160 | 210 | 50 | 12 | 94 | |
| CV 62 | | 5,5 | 50 | 40 | 298 | 232 | 230 | 141 | 119 | 484 | 112 | 214 | 376 | - | 603 | 190 | 240 | 50 | 12 | 94 | |
| CV 63 | | 9,2 | 50 | 40 | 298 | 271 | 230 | 141 | 158 | 484 | 112 | 214 | 376 | - | 642 | 190 | 240 | 50 | 12 | 94 | |
| CV 71 | | 4 | 50 | 40 | 298 | 193 | 230 | 141 | 80 | 484 | 100 | 214 | 364 | - | 564 | 160 | 210 | 50 | 12 | 94 | |
| CV 72 | | 7,5 | 50 | 40 | 298 | 232 | 230 | 141 | 119 | 484 | 112 | 214 | 376 | - | 603 | 190 | 240 | 50 | 12 | 94 | |
| CV 73 | | 11 | 50 | 40 | 372 | 287 | 266 | 132 | 158 | 527 | 132 | 214 | 406 | 410 | 685 | 216 | 276 | 60 | 12 | 94 | |
| CV 81 | | 5,5 | 65 | 40 | 298 | 198 | 230 | 141 | 85 | 484 | 112 | 214 | 376 | - | 569 | 190 | 240 | 50 | 12 | 94 | |
| CV 82 | | 11 | 65 | 40 | 372 | 253 | 266 | 132 | 124 | 527 | 132 | 214 | 406 | 410 | 651 | 216 | 276 | 60 | 12 | 94 | |
| CV 83 | | 18,5 | 65 | 40 | 372 | 292 | 266 | 187 | 163 | 582 | 132 | 214 | 406 | 410 | 745 | 216 | 276 | 60 | 12 | 94 | |

A

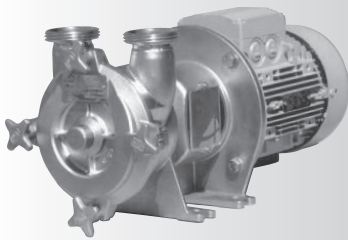
משאבה סניטרית יניקה עצמית, מתאימות ליניקת נוזלים המכילים אוויר
משאבה עם ציר ומנוע נפרדים (מצמד קשיח)
חלקים רטובים 1.4404 AISI 316L CF-3M
ספיקות מקס': $70 \text{ M}^3/\text{H}$
עומד מקס': 4 BAR
מהירות סיבוב מנוע: 1450 RPM



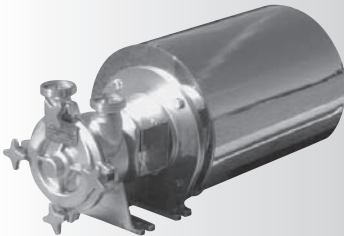
A



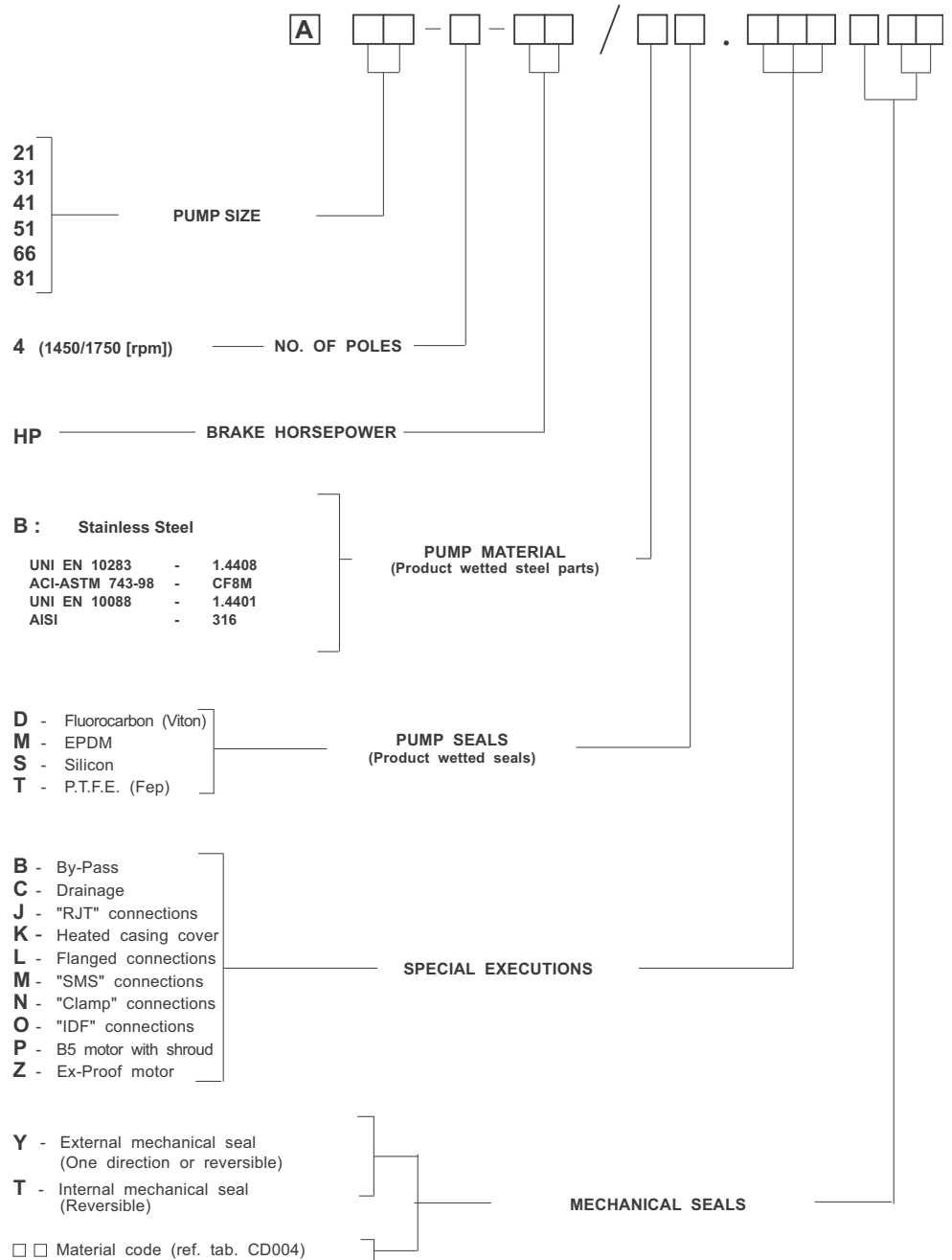
A 21 - A31 pump



A 41 - A 51 pump

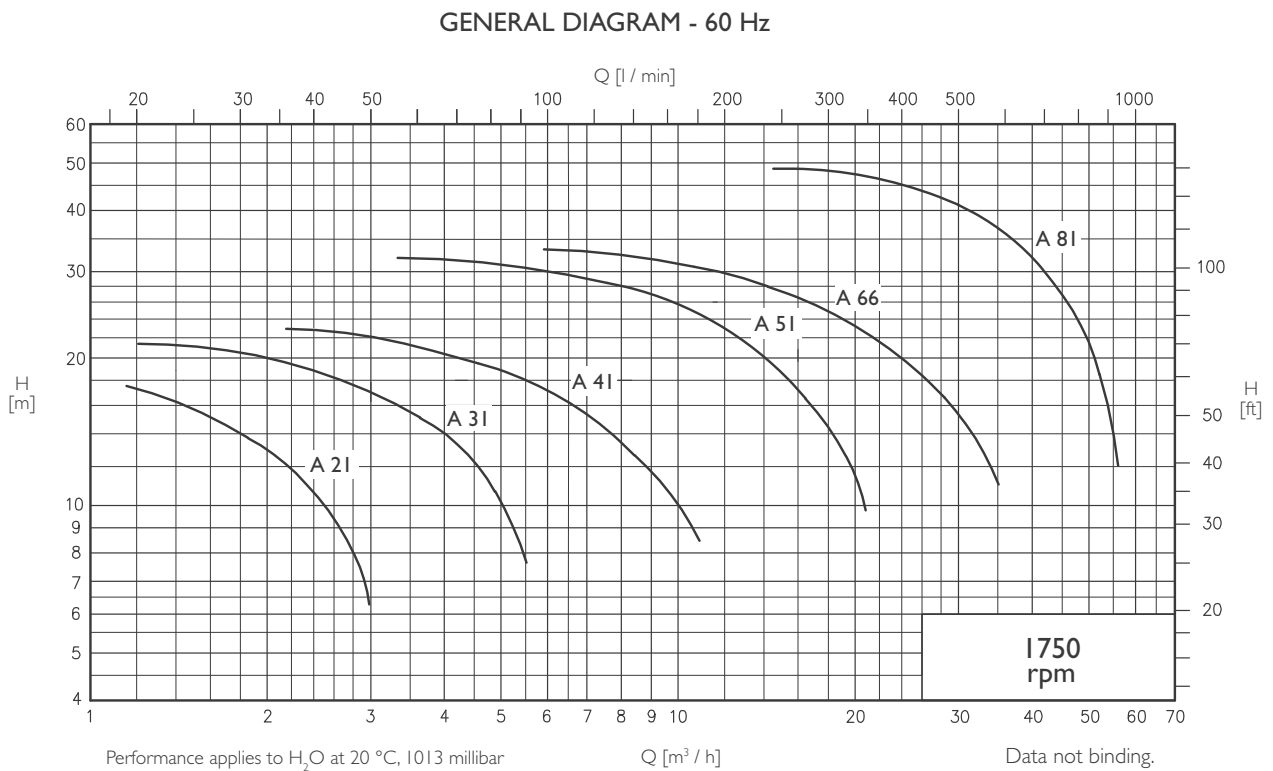
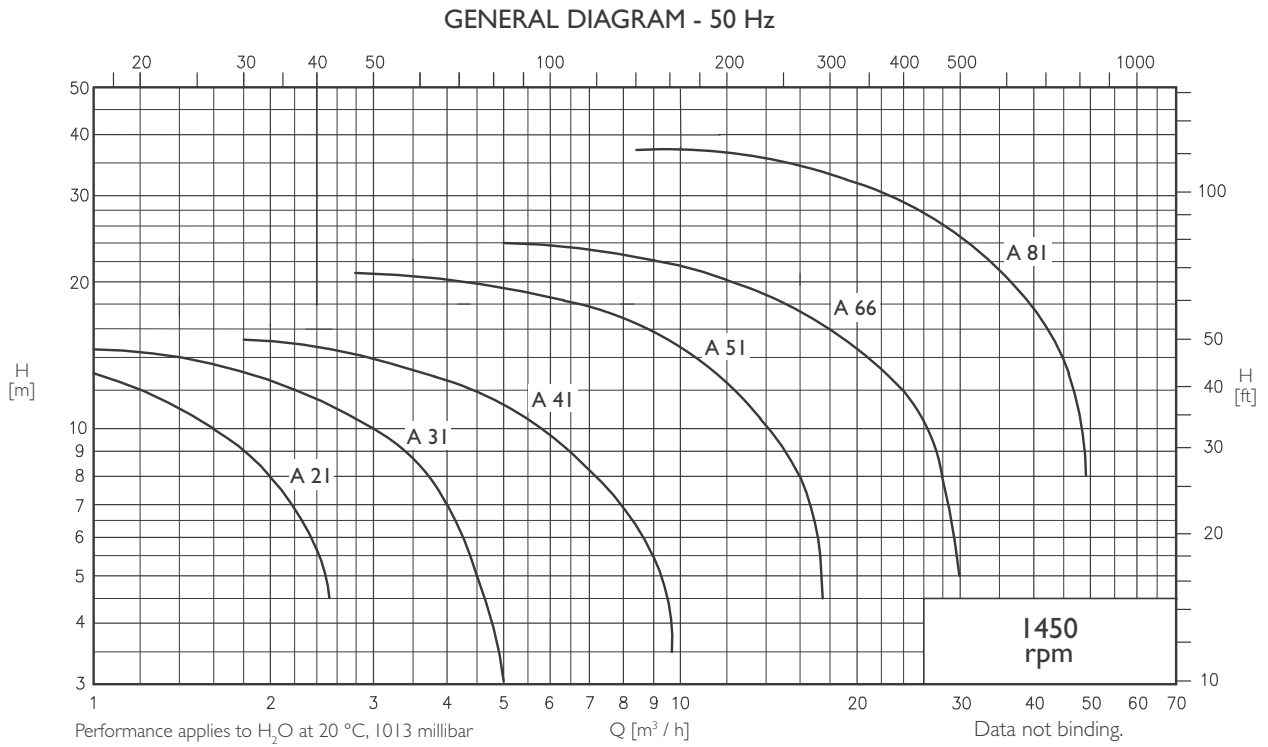


A 41 - A 51 pump with shroud

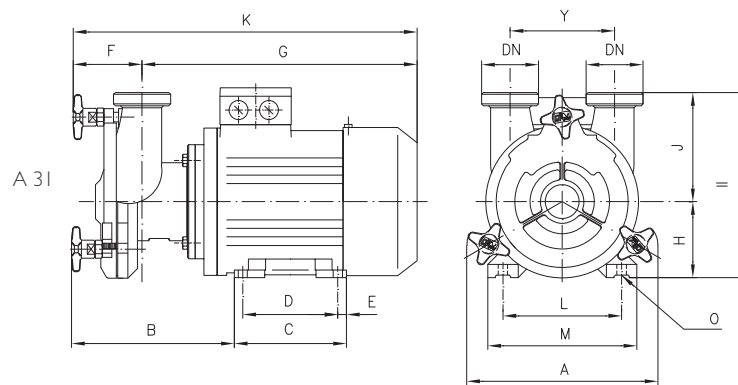


Example: **A 51-4-3 / B.MT31**

A



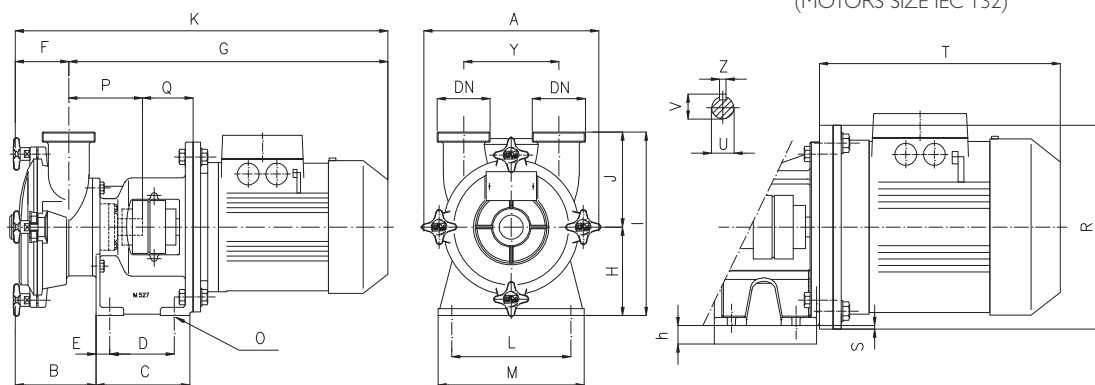
OVERALL DIMENSIONS



Dimensions not binding - DN = GAS (BSP female) connection on A21
DN = DIN 11851 male threaded connection for A31

| Pumps | 1450 rpm | kW | DN | A | B | C | D | E | F | G | K | H | J | I | Y | L | M | O | P | Q |
|-------|----------|-------|-----|-----|-----|-----|---|----|-----|-----|----|-----|-----|-----|-----|-----|---|---|---|---|
| A 21 | 0,37 | 3/4"G | 170 | 149 | 106 | 90 | 8 | 62 | 260 | 322 | 71 | 84 | 155 | 80 | 112 | 132 | 7 | - | - | |
| | 0,55 | 3/4"G | 170 | 152 | 118 | 100 | 9 | 62 | 284 | 346 | 80 | 84 | 164 | 80 | 125 | 150 | 9 | - | - | |
| A 31 | 0,55 | 32 | 203 | 175 | 118 | 100 | 9 | 75 | 293 | 368 | 80 | 117 | 197 | 110 | 125 | 150 | 9 | - | - | |
| | 0,75 | 32 | 203 | 175 | 118 | 100 | 9 | 75 | 293 | 368 | 80 | 117 | 197 | 110 | 125 | 150 | 9 | - | - | |

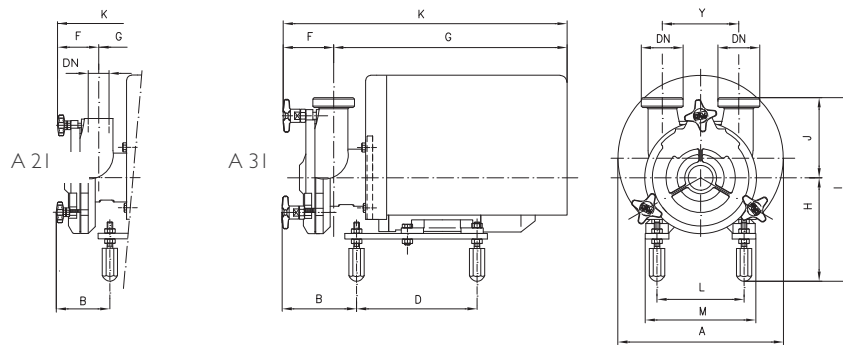
exec. A 66
(MOTORS SIZE IEC 132)



Dimensions not binding - DN = DIN 11851 male threaded connections with standard IEC/EN motors
(*) Bearing frame designed for direct coupling with motor frame ...

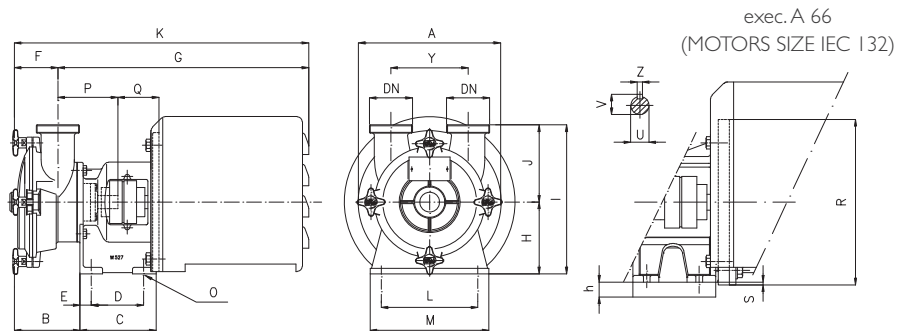
| Pumps | 1450 rpm | kW | DN | A | B | C | D | E | F | G | K | H | h | J | I | Y | L | M | O | P | Q | R | S | T | U | V | Z | PAM (*) |
|-------|----------|----|-----|-----|-----|----|------|-----|-----|-----|-----|----|-----|-----|-----|-----|-----|----|-----|----|-----|---|-----|----|------|---|-----|---------|
| A 41 | 1,1 | 40 | 250 | 116 | 132 | 89 | 53,5 | 79 | 452 | 531 | 122 | - | 120 | 242 | 120 | 135 | 175 | 12 | 117 | 54 | - | - | - | 20 | 22,5 | 6 | 90 | |
| | 1,5 | 40 | 250 | 116 | 132 | 89 | 53,5 | 79 | 452 | 531 | 122 | - | 120 | 242 | 120 | 135 | 175 | 12 | 117 | 54 | - | - | - | 20 | 22,5 | 6 | 90 | |
| A 51 | 2,2 | 50 | 273 | 127 | 138 | 95 | 59,5 | 88 | 495 | 583 | 130 | - | 140 | 270 | 140 | 175 | 215 | 12 | 119 | 64 | - | - | - | 20 | 22,5 | 6 | 100 | |
| | 4 | 50 | 273 | 127 | 138 | 95 | 59,5 | 88 | 495 | 583 | 130 | - | 140 | 270 | 140 | 175 | 215 | 12 | 119 | 64 | - | - | - | 20 | 22,5 | 6 | 112 | |
| A 66 | 4 | 65 | 307 | 182 | 150 | 95 | 74 | 133 | 535 | 668 | 145 | - | 185 | 330 | 180 | 190 | 230 | 12 | 137 | 65 | - | - | - | 25 | 28 | 8 | 112 | |
| | 5,5 | 65 | 307 | 182 | 150 | 95 | 74 | 133 | 595 | 728 | 145 | 15 | 185 | 330 | 180 | 190 | 230 | 12 | 137 | 65 | 300 | 5 | 393 | 25 | 28 | 8 | 132 | |

OVERALL DIMENSIONS (INCLUDING SHROUD)



Dimensions not binding - DN = GAS (BSP female) connection on A21
DN = DIN 11851 male threaded connection for A31

| Pumps | 1450 rpm | kW | DN | A | B | C | D | E | F | G | K | H | J | I | Y | L | M | O | P | Q |
|-------|----------|------|-------|-----|----|-----|-----|----|-----|-----|-----|-----|-----|-----|-----|-----|-----|---|---|---|
| A 21 | | 0,55 | 3/4"G | 238 | 88 | - | 173 | - | 62 | 336 | 398 | 153 | 85 | 238 | 80 | 125 | 150 | - | - | - |
| A 31 | 0,55 | 32 | 238 | 111 | - | 173 | - | 75 | 334 | 409 | 153 | 117 | 270 | 110 | 125 | 150 | - | - | - | |
| | 0,75 | 32 | 238 | 111 | - | 173 | - | 75 | 334 | 409 | 153 | 117 | 270 | 110 | 125 | 150 | - | - | - | |



Dimensions not binding - DN = DIN 11851 male threaded connections with standard IEC/EN motors
(*) Bearing frame designed for direct coupling with motor frame ...

| Pumps | 1450 rpm | kW | DN | A | B | C | D | E | F | G | K | H | h | J | I | Y | L | M | O | P | Q | R | S | U | V | Z | PAM (*) |
|-------|----------|-----|-----|-----|-----|-----|------|------|-----|-----|-----|-----|-----|-----|-----|-----|-----|-----|-----|-----|-----|---|----|------|------|-----|------------|
| A 41 | | 1,1 | 40 | 297 | 116 | 132 | 89 | 53,5 | 79 | 526 | 605 | 122 | - | 120 | 242 | 120 | 135 | 175 | 12 | 117 | 51 | - | - | 20 | 22,5 | 6 | 90 |
| | 1,5 | 40 | 297 | 116 | 132 | 89 | 53,5 | 79 | 526 | 605 | 122 | - | 120 | 242 | 120 | 135 | 175 | 12 | 117 | 51 | - | - | 20 | 22,5 | 6 | 90 | |
| A 51 | 2,2 | 50 | 297 | 127 | 138 | 95 | 59,5 | 88 | 573 | 661 | 130 | - | 140 | 270 | 140 | 175 | 215 | 12 | 119 | 61 | - | - | 20 | 22,5 | 6 | 100 | |
| | 4 | 50 | 297 | 127 | 138 | 95 | 59,5 | 88 | 573 | 661 | 130 | - | 140 | 270 | 140 | 175 | 215 | 12 | 119 | 61 | - | - | 20 | 22,5 | 6 | 112 | |
| A 66 | 4 | 65 | 369 | 182 | 150 | 95 | 74 | 133 | 667 | 800 | 145 | - | 185 | 330 | 180 | 190 | 230 | 12 | 137 | 62 | - | - | 25 | 28 | 8 | 112 | |
| | 5,5 | 65 | 369 | 182 | 150 | 95 | 74 | 133 | 667 | 800 | 145 | 15 | 185 | 330 | 180 | 190 | 230 | 12 | 137 | 62 | 300 | 5 | 25 | 28 | 8 | 132 | |