

# SERIES 3000

## 01.101 SI FLANGED GATE VALVE

### Product description

- Flanged soft sealing gate valve according Israel Standard SI 61
- Range DN 40 up to DN 500
- PN 10 / 16
- Short face-to-face length – S14
- Working temperature between 0° up to 70° (excluding ice)



### Standards

- Designed according to EN 1074 part 1 & 2 and EN 1171
- Flange drilling DIN EN 1092-2 PN 10 / 16
- Face-to-face according EN 558 Series 14 and SI 61 short dimension 2
- According to Israel Standard SI 61

### Tests

Hydraulic test according to SI 61

- Seal: PN (in bar)
- Body: 1.6 x PN (in bar)
- Maximum operating torque according to SI 61

### Corrosion protection

- Epoxy powder coating RAL 5005
- Applied internal and external with a minimum coating thickness (DFT) of 250 µm
- Fusion bonded according DIN 30677-2, DIN 3476, SI 61 and GSK approved

### Approvals

- Certified according to EN 1074:
  - KIWA Certificate K76981/01
  - AENOR Certificate B18/000002
  - RINA Certificate 3606
- ACS Certificate 15 ACC NY 072
- GSK Certificate GSK-ID:1247 (RAL-GZ 662)

### Features

- Isolation valve approved for drinking water
- Full bore
- Low operating torque
- Stainless steel stem with wedge stop and rolled threads for high strength
- Spindle sealing system with 4 O-rings in EPDM with CE marking
- O-ring stem sealing exchangeable under pressure
- Wedge fully vulcanized with drinking water approved EPDM rubber
- Top of the wedge conceived with "soft stop" system, which acts as an end stop for the fully open valve
- Fixed, integral wedge nut prevents vibration and ensures durability
- Wedge and body guide rails ensure stales operation
- Round EPDM bonnet gasket fixed in a recess, surrounding the screws, ensuring a perfect seal around the perimeter
- Countersunk and sealed stainless bonnet bolts encircled by the bonnet gasket
- The valves from DN 250 to DN 300 are equipped with an axial bearing, from DN 350 to DN 500 are equipped with two thrust bearings to ensure reduced operating torque
- Fusion bonded epoxy coating according DIN 30677-2, SI 61 and GSK approved



### Application

- Drinking Water
- Neutral Liquids

### Accessories

- Handwheel [ref. 05.100]
- Stem cap [ref. 05.200]
- Extension spindle [ref. 05.300]
- Surface box [ref. 05.500]

### On request

- Stem in stainless steel AISI 303
- Stem in stainless steel AISI 316L
- NBR / SBR gate covering

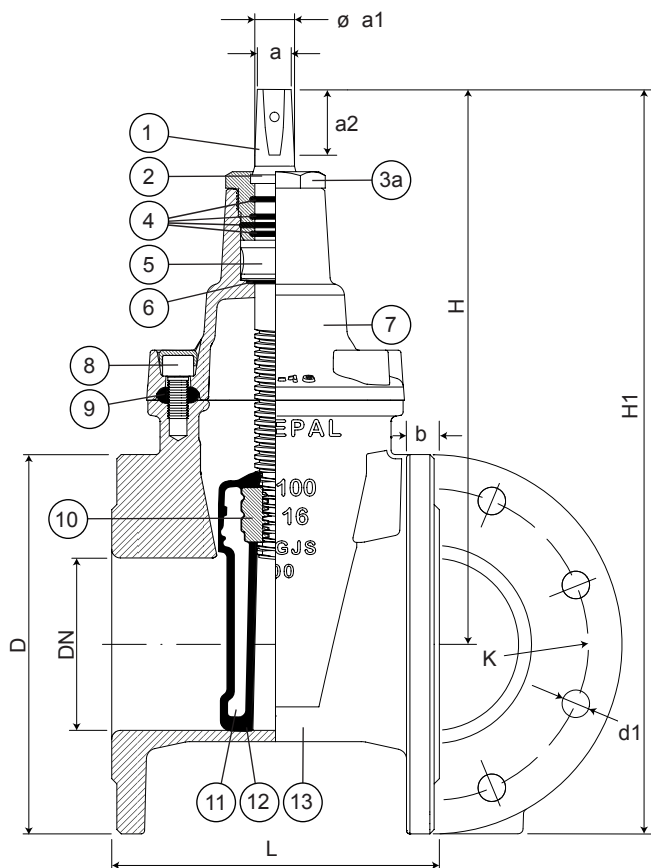
### Additional information

- Operation Manual



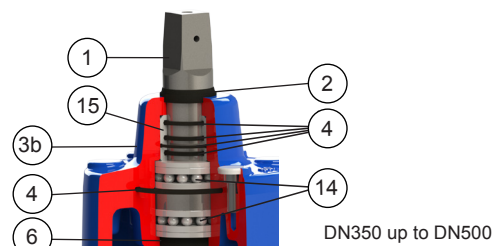
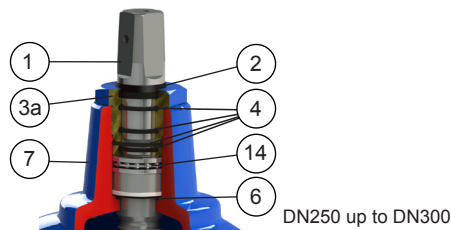
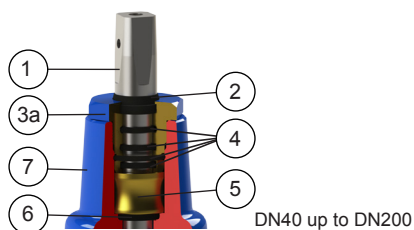
**Fucoli Somepal**  
FUNDAÇÃO DE FERRO, S. A.

DESDE  
SINCE 1946



## Component list

pos.	components	material	standard
1	Stem	Stainless stell AISI 420 with rolled thread	EN 10088 - 1
2	Clearing joint	Rubber	
3a	Gland	Brass   Ductile iron EN-GJS-500-7	EN 12164   EN 1563
3b	Gland	Ductile iron EN-GJS-500-7	EN 1563
4	O-ring	Elastomer EPDM	EN 681 - 1
5	Stem washer	Brass	EN 12164
6	Joint	Elastomer EPDM	EN 681 - 1
7	Bonnet	Ductile iron EN-GJS-500-7	EN 1563
8	Bolts	Stainless stell A2, sealed with hot melt	EN 10088 - 1
9	Bonnet gasket	Elastomer EPDM	EN 681 - 1
10	Gate nut	Brass	EN 12164
11	Gate	Ductile iron EN-GJS-500-7	EN 1563
12	Gate covering	Completely covered inside and outsider with elastomer EPDM	EN 681 - 1
13	Body	Ductile iron EN-GJS-500-7	EN 1563
14	Bearing		
15	Gland bush	POM	



## Reference and dimensions

DN	PN	D	L	H	H1	K	n° x d1	b	a	ø a1	a2	closure turn	Kg
50	10/16	165	150	235	317	125	4 X 19	19	14.1	20	29	13	9.5
80	10/16	200	180	290	390	160	8 X 19	19	16.3	22	34	20	16
100	10/16	220	190	325	435	180	8 X 19	19	17.1	24	38	25	20
150	10/16	285	210	425	568	240	8 X 23	19	19.1	28	38	38	33
200	10	340	230	505	675	295	8 X 23	20	24.1	32	42	40	50
200	16	340	230	505	675	295	12 X 23	20	24.1	32	42	40	50
250	10	400	250	595	795	350	12 X 23	22	27.1	36	47	50	72
250	16	400	250	595	795	355	12 X 28	22	27.1	36	47	50	72
300	10	455	270	670	898	400	12 X 23	24.5	27.1	36	47	60	102
300	16	455	270	670	898	410	12 X 28	24.5	27.1	36	47	60	102
350	10	505	290	940	1193	460	16 X 23	24.5	32.1	45	55	67	217
350	16	520	290	940	1200	470	16 X 28	26.5	32.1	45	55	67	221
400	10	565	310	940	1223	515	16 X 28	24.5	32.1	45	55	67	235
400	16	580	310	940	1230	525	16 X 31	28	32.1	45	55	67	241
450	10	615	330	1120	1428	565	20 X 28	25.5	32.1	50	55	71	385
450	16	640	330	1120	1440	585	20 X 31	30	32.1	50	55	71	393
500	10	670	350	1120	1455	620	20 X 28	26.5	32.1	50	55	71	409
500	16	715	350	1120	1478	650	20 X 34	31.5	32.1	50	55	71	426