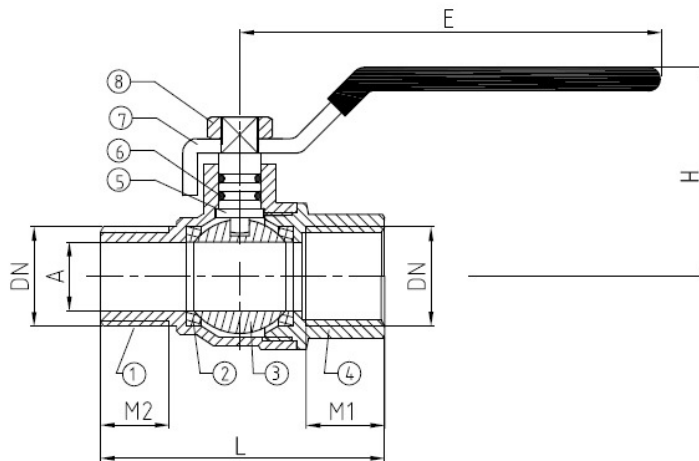


ART.1151A MF S drinking water standard



ART.1151A MF S drinking water standard

BRASS BALL VALVE(drinking water standard)

Full Bore

Thread MF ISO7-1(Rp/R)

Temperature:min -20°C

max +95°C

Opening and closing tests:20.000

Nominal pressure:Max 16bar

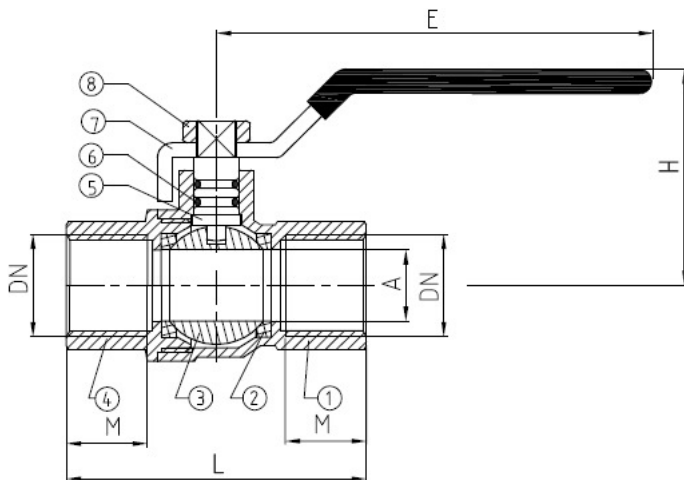
Available:in all sizes from 1/2" up to 2"

NO	Component	Material
1	Body	Brass
2	Seat	P.T.F.E
3	Ball	Brass
4	Valve nut	Brass
5	Stem	Brass
6	O-ring	NBR 70°
7	Handle	Steel
8	Nut	Steel

DN			1/2"	3/4"	1"	1 1/4"	1 1/2"	2"			
A			14.5	19	25	32	40	49			
L			58.5	66.5	78	93.5	101.5	123			
H			48	51	62	71	81.5	90			
E			98	98	125	125	142	165			
M1/M2			16/14.5	18/16	20.5/18	23/20.5	23/21	27.5/25.5			
PN			16	16	16	16	16	16			
Piece/Box			8	14	8	4	3	2			
Piece/carton			96	84	48	24	18	8			
Carton/pallet			36	36	36	36	36	36			

PRINT>> BACK>>

ART.1151A FF S drinking water standard



ART.1151A FF S drinking water standard

Full Bore
 Thread FF ISO7-1(Rp)
 Temperature:min -20°C
 max +95°C
 Opening and closing tests:20.000
 Nominal pressure:Max 16bar
 Available:in all sizes from 1/2" up to 2"

NO	Component	Material
1	Body	Brass
2	Seat	P.T.F.E
3	Ball	Brass
4	Valve nut	Brass
5	Stem	Brass
6	O-ring	NBR 70°
7	Handle	Steel
8	Nut	Steel

DN			1/2"	3/4"	1"	1 1/4"	1 1/2"	2"			
A			14.5	19	25	32	40	49			
L			60	68.5	82	96	103.5	125.5			
H			48	51	62	71	81.5	90			
E			98	98	125	125	142	165			
M			16	18	20.5	23	23	27.5			
PN			16	16	16	16	16	16			
Piece/Box			8	14	8	4	3	2			
Piece/carton			96	84	48	24	18	8			
Carton/pallet			36	36	36	36	36	36			

PRINT>> BACK>>