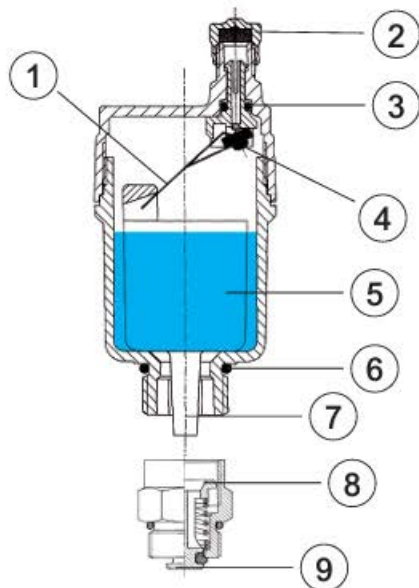


2161C



Parts

- | | |
|----------------------------------|-----------------------|
| 1) Air venting control mechanism | 5) Float |
| 2) Safety plug | 6) O-ring pre-sealing |
| 3) Vent O-ring | 7) Jet breaker |
| 4) Disc | 8) Check valve |
| | 9) Check valve disc |

Technical features

Minimum operating pressure	0.1 bar
Maximum operating pressure	10 bar
Maximum operating temperature	115°C
Usable fluids	water, including with glycol ≤ 50%

Features

Valve body	CW617N
Float	stabilised polypropylene
O-ring seal	EPDM
Disc	silicone rubber
Control mechanism	stainless steel
O-ring pre-sealing	EPDM
Retaining spring	stainless steel
Retaining disc	PA with fibreglass
Vacuum breaker	polyacetal
Connections	M 3/8" DIN-ISO 228/1