

# MODEL 975XL

Reduced Pressure Principle  
Backflow Preventers 3/4" to 2"

# WILKINS®

a ZURN® company

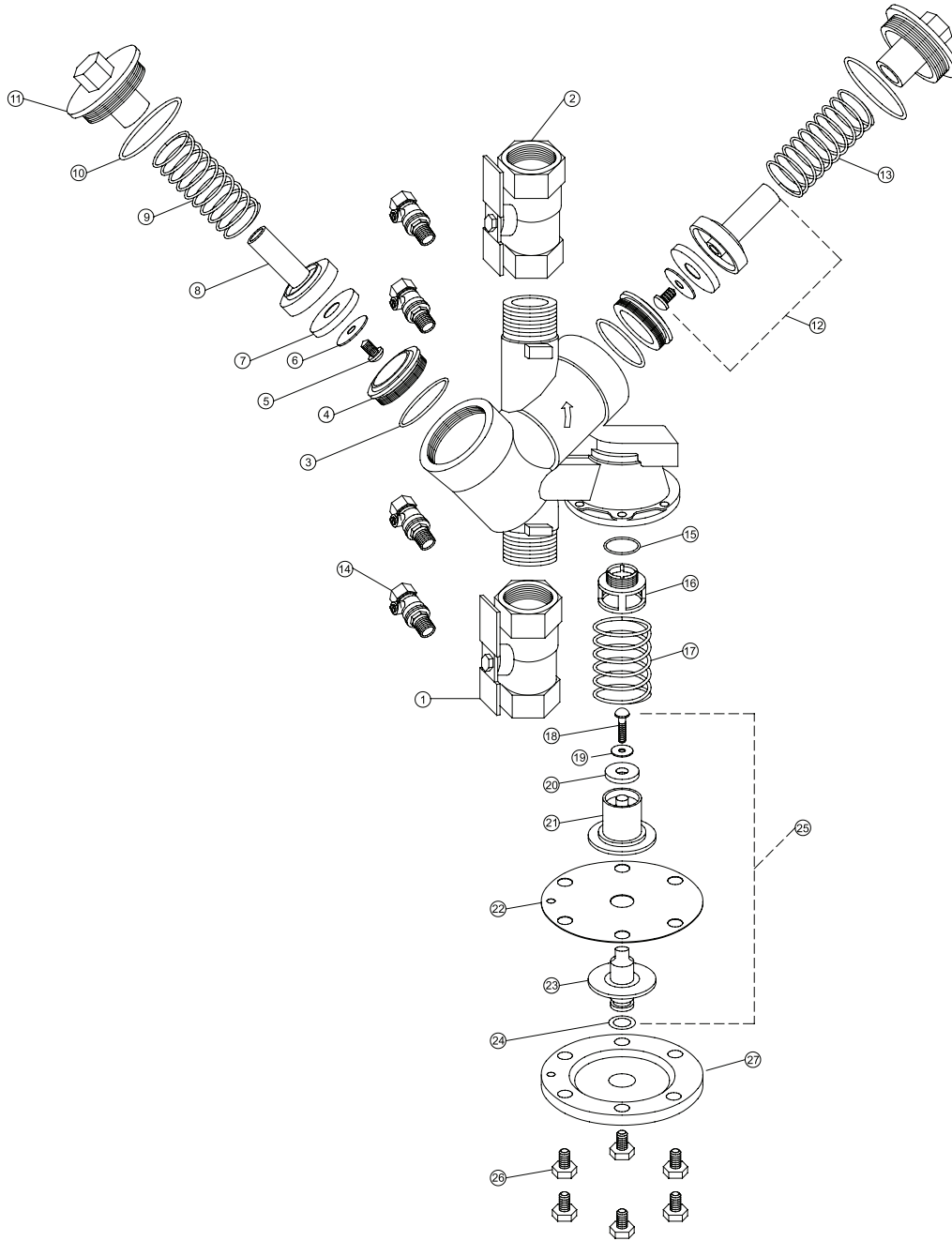
ITEM NO.	DESCRIPTION	3/4"	1"	1 1/4"	1 1/2"	2"
1	BALL VALVE, TAPPED	34-850T	1-850T	114-850T	112-850T	2-850T
2	BALL VALVE	34-850	1-850	114-850	112-850	2-850
	BUTTERFLY VALVE*	N/A	N/A	114-49BR	112-49BR	2-49BR
	BUTTERFLY VALVE, TAPPED*	N/A	N/A	114-49BRT	112-49BRT	2-49BRT
3	O-RING, CHECK SEAT	WK-125N	WK-125N	136N	136N	136N
4	CHECK SEAT	952-18S	952-18S	954-18S	954-18S	954-18S
5	RETAINING BOLT	952-11	952-11	952-11	952-11	952-11
6	SEAL RING RETAINER	952-14	952-14	954-14	954-14	954-14
7	SEAL RING	952-12S	952-12S	954-12S	954-12S	954-12S
8	POPPET	952-30-010F	952-30-010F	954-30-010F	954-30-010F	954-30-010F
9	NO.1 CHECK SPRING	972-33	972-33	5754-33	5754-33	5754-33
10	O-RING, COVER	136N	136N	153N	153N	153N
11	CHECK COVER	952-3XL2-010F	952-3XL2-010F	954-3XL2-010F	954-3XL2-010F	954-3XL2-010F
12	POPPET ASSY.	952-300S	952-300S	954-300S	954-300S	954-300S
13	NO.2 CHECK SPRING	952-33	952-33	554-33	554-33	554-33
14	TEST COCK	18-860	18-860	14-860	14-860	14-860
15	O-RING, RELIEF VALVE SEAT	WK-019N	WK-019N	029N	029N	029N
16	RELIEF VALVE SEAT	972-18	972-18	974-18	974-18	974-18
17	RELIEF VALVE SPRING	972A-33	972A-33	974A-33	974A-33	974A-33
18	RELIEF VALVE RETAINING BOLT	972-11A	972-11A	604B-11	604B-11	604B-11
19	RELIEF VALVE SEAL RING RETAINER	972-14	972-14	552-14	552-14	552-14
20	RELIEF VALVE SEAL RING	972-12S	972-12S	974-12S	974-12S	974-12S
21	RELIEF VALVE LOWER PLUNGER	972-34A	972-34A	974-34A	974-34A	974-34A
22	RELIEF VALVE DIAPHRAGM	972-43	972-43	974-43	974-43	974-43
23	RELIEF VALVE UPPER PLUNGER	972-34	972-34	974-34	974-34	974-34
24	O-RING, RELIEF VALVE STEM	WK-111N	WK-111N	121N	121N	121N
25	RELIEF VALVE STEM ASSY.	972-50S	972-50S	974-50S	974-50S	974-50S
26	RELIEF VALVE COVER BOLT	554-11A	554-11A	554-11A	554-11A	554-11A
	RV. & CHECK SEAT TOOL	972-SEATTOOL		974-SEATTOOL		
27	RELIEF VALVE COVER	972-3AXL2-010F	972-3AXL2-010F	974-3AXL2-010F	974-3AXL2-010F	974-3AXL2-010F

\*INTEGRAL SUPERVISORY SWITCH OPTION AVAILABLE

## REPAIR KITS

RK34-975XL			REPAIR KIT COMPLETE MODEL 975XL, 3/4", & 1" Only			RK114-975XL			REPAIR KIT COMPLETE MODEL 975XL, 1 1/4", 1 1/2", 2" Only		
PART NO.	QTY.	DESCRIPTION	PART NO.	QTY.	DESCRIPTION	PART NO.	QTY.	DESCRIPTION	PART NO.	QTY.	DESCRIPTION
952-12S	2	SEAL RING	954-12S	2	SEAL RING						
972-12S	1	RELIEF VALVE SEAL RING	974-12S	1	RELIEF VALVE SEAL RING						
972-43	1	DIAPHRAGM	974-43	1	DIAPHRAGM						
136N	2	O-RING, COVER	153N	2	O-RING, COVER						
WK-111N	1	O-RING, RELIEF VALVE STEM	121N	1	O-RING, RELIEF VALVE STEM						
972-33	1	NO. 1 CHECK SPRING	5754-33	1	NO. 1 CHECK SPRING						
952-33	1	NO.2 CHECK SPRING	554-33	1	NO. 2 CHECK SPRING						
972A-33	1	RELIEF VALVE SPRING	974A-33	1	RELIEF VALVE SPRING						

RK34-975XLR			RUBBER REPAIR KIT MODEL 975XL, 3/4", & 1" Only			RK114-975XLR			RUBBER REPAIR KIT MODEL 975XL, 1 1/4", 1 1/2", 2" Only		
PART NO.	QTY.	DESCRIPTION	PART NO.	QTY.	DESCRIPTION	PART NO.	QTY.	DESCRIPTION	PART NO.	QTY.	DESCRIPTION
952-12S	2	SEAL RING	954-12S	2	SEAL RING						
972-12S	1	RELIEF VALVE SEAL RING	974-12S	1	RELIEF VALVE SEAL RING						
972-43	1	DIAPHRAGM	974-43	1	DIAPHRAGM						
136N	2	O-RING, COVER	153N	2	O-RING, COVER						
WK-111N	1	O-RING, RELIEF VALVE STEM	121N	1	O-RING, RELIEF VALVE STEM						



<b>RK34-975XLC</b>			<b>REPAIR KIT ALL INTERNAL PARTS</b>			<b>RK114-975XLC</b>			<b>REPAIR KIT ALL INTERNAL PARTS</b>		
			MODEL 975XL, 3/4" & 1" Only						MODEL 975XL, 1 1/4", 1 1/2", 2" Only		
PART NO.	QTY.	DESCRIPTION	PART NO.	QTY.	DESCRIPTION	PART NO.	QTY.	DESCRIPTION	PART NO.	QTY.	DESCRIPTION
136N	2	O-RING, COVER	153N	2	O-RING, COVER	153N	2	O-RING, COVER	153N	2	O-RING, COVER
952-300S	2	POPPET ASSY	954-300S	2	POPPET ASSY	954-300S	2	POPPET ASSY	954-300S	2	POPPET ASSY
972-33	1	NO. 1 CHECK SPRING	5754-33	1	NO. 1 CHECK SPRING	5754-33	1	NO. 1 CHECK SPRING	5754-33	1	NO. 1 CHECK SPRING
952-33	1	NO. 2 CHECK SPRING	554-33	1	NO. 2 CHECK SPRING	554-33	1	NO. 2 CHECK SPRING	554-33	1	NO. 2 CHECK SPRING
972-50S	1	RELIEF VALVE STEM ASSY	974-50S	1	RELIEF VALVE STEM ASSY	974-50S	1	RELIEF VALVE STEM ASSY	974-50S	1	RELIEF VALVE STEM ASSY
972A-33	1	RELIEF VALVE SPRING	974A-33	1	RELIEF VALVE SPRING	974A-33	1	RELIEF VALVE SPRING	974A-33	1	RELIEF VALVE SPRING
RK34-975XLSK	1	SEAT REPAIR KIT	RK114-975XLSK	1	SEAT REPAIR KIT	RK114-975XLSK	1	SEAT REPAIR KIT	RK114-975XLSK	1	SEAT REPAIR KIT
<b>RK34-975XLSK</b>			<b>SEAT REPAIR KIT</b>			<b>RK114-975XLSK</b>			<b>SEAT REPAIR KIT</b>		
			MODEL 975XL, 3/4" & 1" Only						MODEL 975XL, 1 1/4", 1 1/2", 2" Only		
PART NO.	QTY.	DESCRIPTION	PART NO.	QTY.	DESCRIPTION	PART NO.	QTY.	DESCRIPTION	PART NO.	QTY.	DESCRIPTION
952-18S	2	CHK SEAT, 3/4" XL	954-18S	2	CHK SEAT, 1-1/4" XL	954-18S	2	CHK SEAT, 1-1/4" XL	954-18S	2	CHK SEAT, 1-1/4" XL
WK-125N	2	O-RING	136N	2	O-RING	136N	2	O-RING	136N	2	O-RING
972-18	1	CU SEAT, 3/4" XL	974-18	1	CU SEAT, 1-1/4" 975XL	974-18	1	CU SEAT, 1-1/4" 975XL	974-18	1	CU SEAT, 1-1/4" 975XL
WK-019N	1	O-RING, COVER	029N	1	O-RING, COVER	029N	1	O-RING, COVER	029N	1	O-RING, COVER