



BUTTERFLY VALVE

Model : BV-G(Grooved Butterfly Valve)



Specifications

Size : 2 1/2" Through 8"
Working Press. : 175 psi
Max. Test Press. : 350 psi
Working Temp. : 250F (120°C)
Factory Installed UL Approved Tamper Switch.

Material

Body : Ductile Iron, Nylon-11 Coated.
Disc : AL-Bronze, Ductile Iron, EPDM Encapsulated.
Stem : Stainless Steel, Hardened & Tempered



Specifications

Size : 2 1/2 Through 8
Working Press. : 300 psi (21.5 Bars)
Max. Test Press. : 600 psi (43.0 Bars)
Working Temp. : 250F (120°C)
Factory Installed UL Approved Tampered Switch for Indoor and Outdoor Use

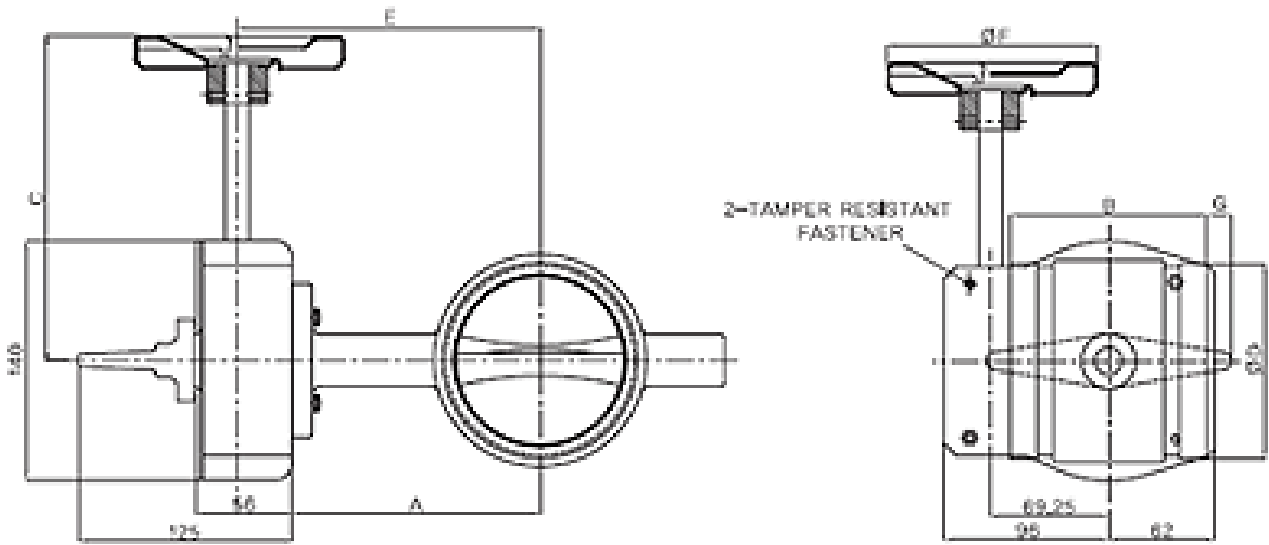
Material

Body : Ductile Iron, Nylon-11 coated
Disc : Al-Bronze, Ductile Iron, EPDM Encapsulated
Stem : Stainless Steel, Hardened & Tempered
Housing : Ductile Iron (ASTM A-536)
Hand Wheel : Ductile Iron (ASTM A-536)

Dimension, Weight and Equivalent Length (SCH 40, C=120)

SIZE IN.	STYLE	OPERATOR PIPE O.D. IN.	L	C	H1	I	D	APP. WEIGHT Lbs.
2-1/2	GROOVE	2-7/8	9-7/8	-	5-3/8	3-3/4	5	18.6
3		3-1/2	10-1/8	-	5-3/8	3-3/7	5	19.7
4		4-1/2	11-1/2	-	5-3/8	4-1/2	5	23.6
6		6-5/8	12-7/8	-	7-5/8	5-1/4	9	34.1
8		8-5/8	13-3/4	-	7-5/8	5-3/4	9	44.9
2-1/2	WAFER	-	9-1/8	5-1/2	5-3/8	1-3/4	5	19.1
3		-	9-1/8	6	5-3/8	1-3/4	5	20.1
4		-	10-3/4	7-1/2	5-3/8	2	5	21.7
6		-	12-1/8	9-1/2	7-5/8	2-1/4	9	28.8
8		-	13	11-3/4	7-5/8	2-3/8	9	39.4

BO-G300 (Grooved End Butterfly Valve)



Dimension

SIZE	A	B	C	D	E	F	G
2 1/2"	105(4.13)	96.4(3.80)	168(6.61)	73.1(2.88)	137(5.39)	125(4.92)	
3"	112(4.41)	96.4(3.80)	168(6.61)	88.9(3.50)	144(5.67)	125(4.92)	
4"	145(5.71)	115.4(4.54)	168(6.61)	114.3(4.50)	177(6.97)	125(4.92)	
6"	179(7.05)	132.4(5.21)	208(8.19)	168.3(6.63)	211(8.31)	225(8.86)	6.8(0.27)
8"	204(8.03)	147.4(5.80)	208(8.19)	219.1(8.62)	236(9.29)	225(8.86)	24.2(0.95)