

AWWAGROOVED Y-TYPE STRAINERFOR WATERWORKS

Type:V8

Doc No:DS-901-V8-01-E-S

1.0 PRODUCT OVERVIEW

The strainer mainly removes impurities in the medium through the filter to prevent particulate impurities from entering the passage and causing wall plugs to protect the fittings on the equipment pipeline from wear and blockage.



Dimensions:

2"(DN50)-12"(DN300)

Design Standard:

Connection Standard:

AWWA C606

Working Pressure:

300PSI

Application:

The AWWA standard grooved strainer is mainly applied in the waterworks system, working temperature is from 0°C to 80°C.

Material of Matching Products:

Sign Off:

Owner: _____ Contractor: _____ Engineer: _____
Location: _____ Date: _____ Approved & Date: _____

Ductile iron pipe fittings, valves, steel pipes,
AWWA C606

Surface Treatment:

- Epoxy power painting (color numbers as RAL5002, RAL5005、RAL5013, etc)
- Painting (color numbers as RAL5005, etc)
- Others would be available upon clients' detailed request

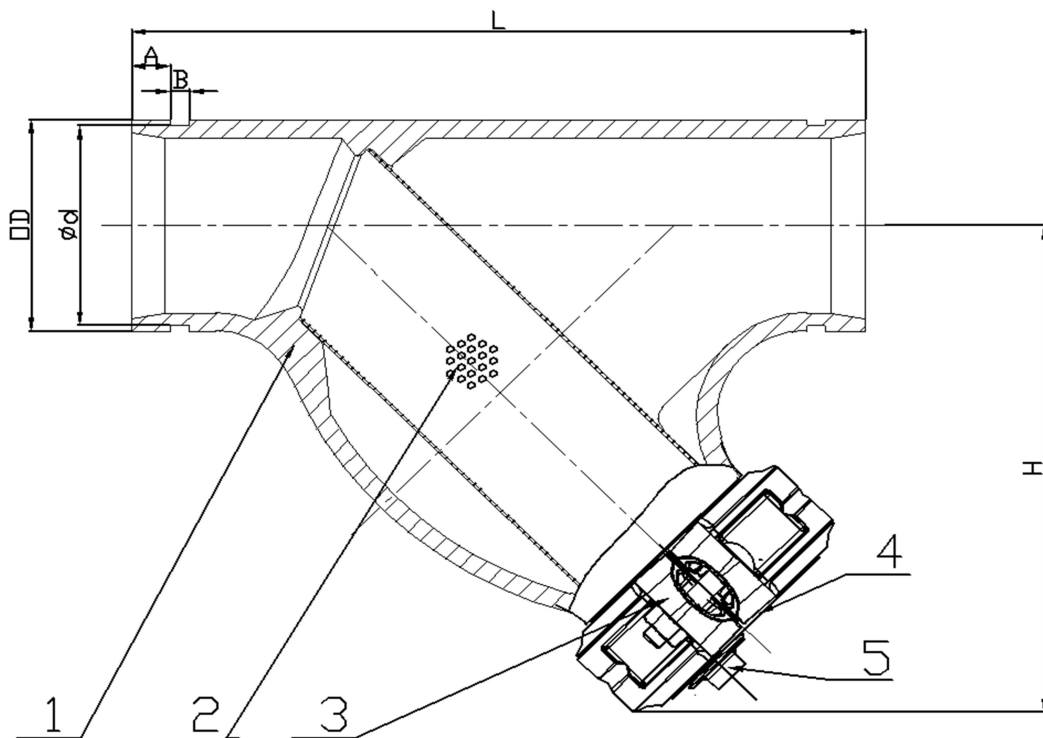
2.0 APPROVALS



NSF/ANSI 61 NSF/ANSI 372

3.0 SPECIFICATIONS

Product Sketch:



Sign Off:

Owner: _____ Contractor: _____ Engineer: _____
 Location: _____ Date: _____ Approved & Date: _____

Part No.	Part	Standard Specification	Options
1	Valve Body	ASTM A536 65-45-12	
2	Sreen	AISI 304	AISI 316
3	RigidCouping	ASTM A536 65-45-12	
4	Cap	ASTM A536 65-45-12	
5	Plug	Malleable rion Galvanized	Bronze ASTM B584

4.0 DIMENSIONS AND PERFORMANCE

DN		Dimensions(mm)					
inch	mm	L	H	OD	d	A	B
2"	50	247.5	170	60.3	57.15	15.88	7.92
2 1/2"	65	273.0	185	73.0	69.09	15.88	7.92
3 "	65	273.0	185	76.1	72.26	15.88	7.92
3"	80	298.5	207	88.9	84.94	15.88	7.92
4"	100	362.0	255	114.3	110.08	15.88	9.52
5 "	125	419.0	286	139.7	135.48	15.88	9.52
5"	125	419.0	286	141.3	137.03	15.88	9.52
6 "	150	470.0	340	165.1	160.90	15.88	9.52
6"	150	470.0	340	168.3	163.96	15.88	9.52
8"	200	609.5	420	219.1	214.40	19.05	11.13
10"	250	686.0	482	273.0	268.28	19.05	12.70
12"	300	762.0	580	323.9	318.29	19.05	12.70

Pressure loss at 15FT/SEC for strainers

DN	50	65	80	100	125	150	200	250	300
PSI	5.39	8.91	4.37	2.26	3.34	3.52	3.14	3.4	3.26

5.0 REFERENCE MATERIALS

Approved certification for Strainer

Sign Off:

Owner: _____ Contractor: _____ Engineer: _____

Location: _____ Date: _____ Approved & Date: _____