

## BS/DIN GROOVED BUTTERFLY VALVE

Type: D381X4 Doc No: DS-902-D381X4-01-E-S

### 1.0 PRODUCT OVERVIEW

The grooved butterfly valve is simple, with compact and 90° slewing crane structure, it's mainly used for low pressure pipeline system.

#### Dimensions:

2"(DN50)-12"(DN300)

#### Design Standard:

EN 593

#### Connection Standard:

ISO 6182

#### Top Flange Standard

ISO 5211

#### Working Pressure:

PN16, PN10

#### Application:

The grooved butterfly valve is an important component of the waterworks system. The operating temperature range is 0°C-80°C.

#### Material of Matching Products:

Ductile iron Grooved Coupling, like MECH type 1N, 1NS, 1G, 1GS

Material: EN-GJS-450-10

Standard: ISO6182, AWWA C606

**Surface Treatment:**

- Epoxy power painting (color numbers as RAL5005, RAL5013, etc)
- Painting (color numbers as RAL5005, etc)
- Others would be available upon client's detailed request

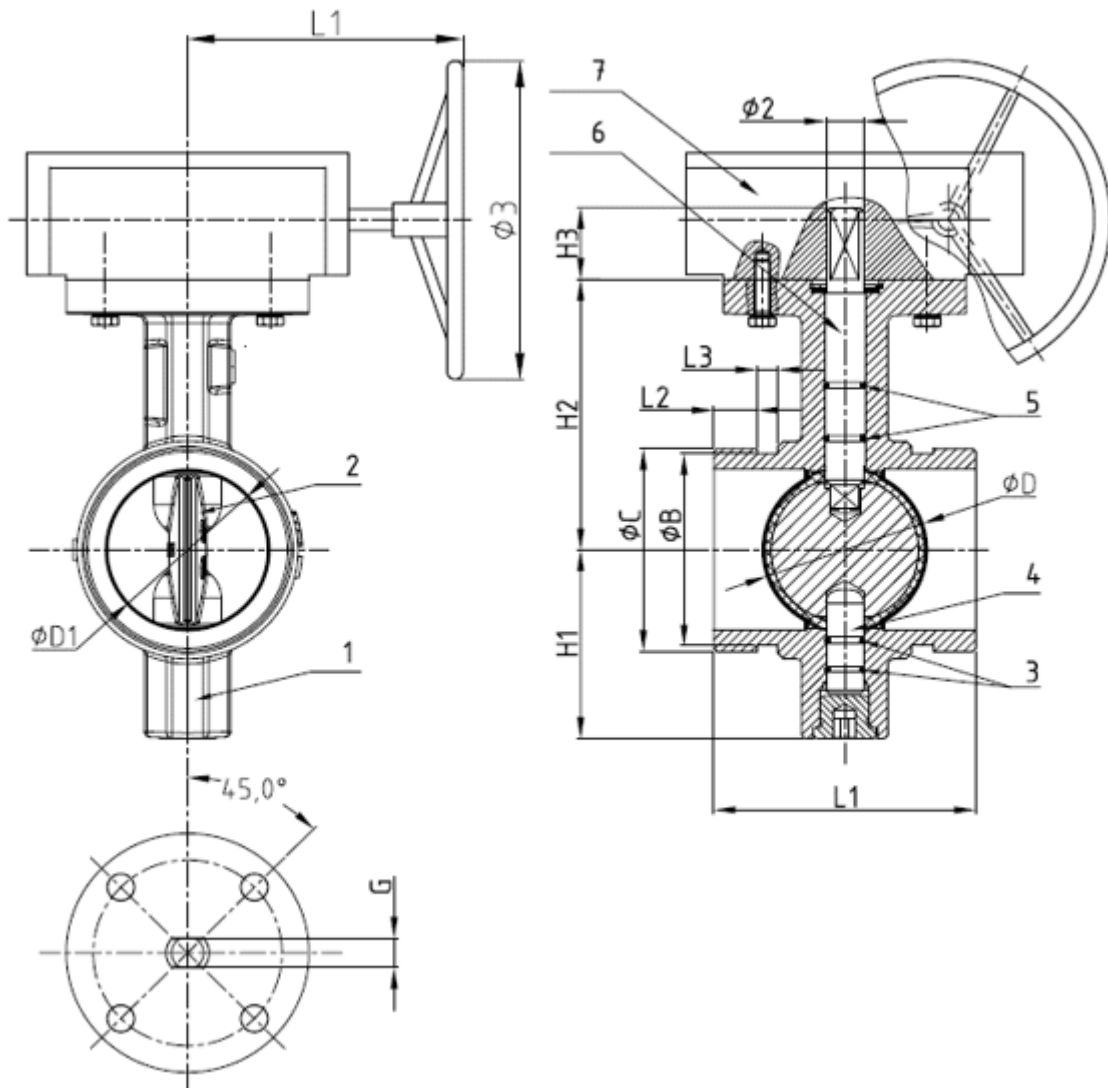
**2.0 APPROVALS**



CE NSF/ANSI 61 NSF/ANSI 372

**3.0 SPECIFICATIONS**

**Product Sketch:**



**Sign Off:**

Owner: \_\_\_\_\_ Contractor: \_\_\_\_\_ Engineer: \_\_\_\_\_  
 Location: \_\_\_\_\_ Date: \_\_\_\_\_ Approved & Date: \_\_\_\_\_

Part No.	Part	Standard Specification	Options
1	Valve Body	EN-GJS-450-10	
2	Disc	EN-GJS-450-10+EPDM	SS304
3	O-Ring	NBR	EPDM
4	Stub Shaft	Stainless Steel	SS304,SS316
5	O-Ring	NBR	EPDM
6	Drive Shaft	Stainless Steel	SS304,SS316
7	Gearbox	EN-GJS-450-10	Handle Lever (EN-GJS-450-10)

## 4.0 DIMENSIONS AND PERFORMANCE

### 4.1 Dimension

DN		Dimension (mm)							
Inch	mm	L1	L2	L3	ΦB	ΦC	ΦD	H1	H2
2"	60.3	81	15.88	7.93	57.15	60.3	50.3	65	89
2 1/2"	73	97	15.88	7.93	69.09	73	60.8	71	102
3"	88.9	97	15.88	7.93	84.94	88.9	76	81	109
4"	114.3	116	15.88	9.53	110.08	114.3	98.5	98	128
5"	141.3	148	15.88	9.53	137.03	141.3	122.6	111	141
6"	168.3	148	15.88	9.53	163.96	168.3	148	133	153
8"	219.1	133	19.05	11.1	214.4	219.1	199	164	184
10"	273	159	19.05	12.7	268.28	273	252	196	216
12"	323.9	165	19.05	12.7	318.29	323.9	300.5	226	254

DN		Dimension (mm)							
Inch	mm	H3	Φ2	G	ΦK	L2	Φ3	L	D1
2"	60.3	32	14	9.53	F07	158	150	267	48.9
2 1/2"	73	32	14	9.53	F07	158	150	267	59.3
3"	88.9	32	14	9.53	F07	158	150	267	74.3
4"	114.3	32	16	11.14	F07	158	150	267	96.8
5"	141.3	32	16	11.14	F07	158	150	267	121
6"	168.3	32	20	12.7	F07	158	150	267	146
8"	219.1	45	26	20.7	F10	239	300	356	201
10"	273	45	26	20.7	F10	239	300	356	201
12"	323.9	45	28	22.1	F10	239	300	356	201

### 4.2 Flow rates

Sign Off:

Owner: \_\_\_\_\_ Contractor: \_\_\_\_\_ Engineer: \_\_\_\_\_  
 Location: \_\_\_\_\_ Date: \_\_\_\_\_ Approved & Date: \_\_\_\_\_