

CIRCUIT BALANCING VALVES

737A

APPLICATIONS

- Globe style balancing valve for use in HVAC and plumbing systems
- Balanced system ensures a comfortable indoor climate
- Balancing valves provide desired flow distribution throughout the system
- Optimum system performance provides energy and cost efficiencies

MATERIALS & CONSTRUCTION

- Durable iron body and bonnet
- Compact non-rising stem design
- EPDM elastomer coated disc
- Memory stop feature
- Linear scale for accurate position indication

DESIGN CRITERIA

- ANSI Class 125 flanges, ASME B16.1
- ANSI/AWWA C606 groove dimensions for IPS pipe



F737A



G737A

Visit our website for the most current information

Flanged Iron Circuit Balancing Valve

Flanged ANSI Class 125 • Globe Valve • Non-rising Stem

• Bosses Drilled, Tapped and Plugged for Test Points • Integral Internal Memory Stop

Pressure: 240 PSI water

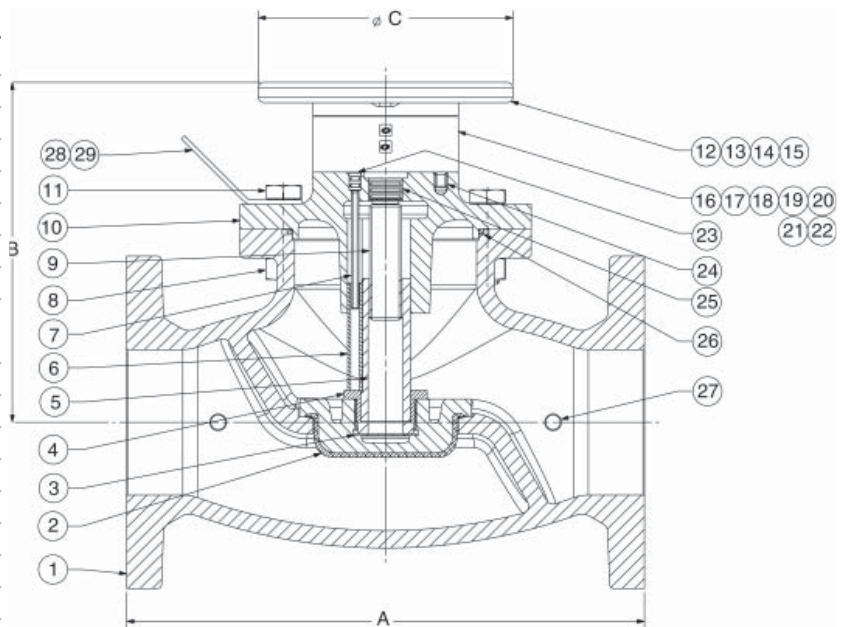
Temperature: 250°F maximum (for low temperature, consult NIBCO Technical Services.)



F737A

MATERIAL LIST

PART	SPECIFICATION
1. Flanged Body	Cast Iron ASTM A 126B
2. EPDM Coated Disc	Cast Iron EN1561 GLJ 250
3. Absorber	EPDM 80
4. Disc Nut Retainer	HT Brass B52874
5. Disc Stem Nut	HT Brass B52874
6. Stop Pin	HT Brass B52874
7. Regulating Screw	HT Brass B52874
8. Hex Nut	Zinc Plated Steel
9. Stem 2" - 4"	HT Brass B52874
Stem 5" - 12"	Stainless Steel B5970
10. Bonnet	Cast Iron EN1562 GLJ 250
11. Hex Socket Screw	Zinc Plated Steel
12. Handwheel	Cast Iron EN1561 GLJ 250
13. Washer	HT Brass B52874 (4)
14. Hex Head Screw	Steel (Metric 8.8) (4)
15. Handwheel Cap	ABS
16. Stuffing Box	HB Brass B52874
17. Indicator Sleeve	POM
18. Indicator Wheel	ABS
19. Indicator Quadrant	ABS
20. Indicator Wheel Pin	HT Brass B52874
21. Wheel Pin	HT Brass B52874
22. Drive Gear	PA 6 30%GF
23. O-Ring	EPDM 80 (2)
24. Hex Socket Screw	Steel (Metric 8.8) (4)
25. O-Ring	EPDM 80 (3)
26. O-Ring	EPDM 80
27. Pipe Plug	Steel (4)
28. Lifting Lug	Painted Steel
29. Test Point Kit	Not Shown



DIMENSIONS - WEIGHTS - QUANTITIES

Valve Size	A		B		C		Weight		
	In.	mm.	In.	mm.	In.	mm.	Lbs.	Kg.	
2	50	9.0	229	6.65	169	5.91	150	35	16
2½	65	11.0	280	7.32	186	5.91	150	51	23
3	80	12.0	305	8.15	207	6.89	175	62	28
4	100	14.0	356	9.21	234	6.89	175	93	42
5	125	16.0	406	10.31	262	10.43	265	152	69
6	150	18.0	457	12.20	310	10.43	267	176	80
8	200	22.0	559	15.69	399	17.72	450	353	160
10	250	26.0	660	17.81	452	17.72	450	554	251
12	300	28.0	711	20.18	513	17.72	450	838	380

Grooved Iron Circuit Balancing Valve

Grooved Dimensions per ANSI/AWWA C606 for IPS Pipe

- Globe Valve • Non-rising Stem • Bosses Drilled, Tapped and Plugged for Test Points • Integral Internal Memory Stop

Pressure: 240 PSI water

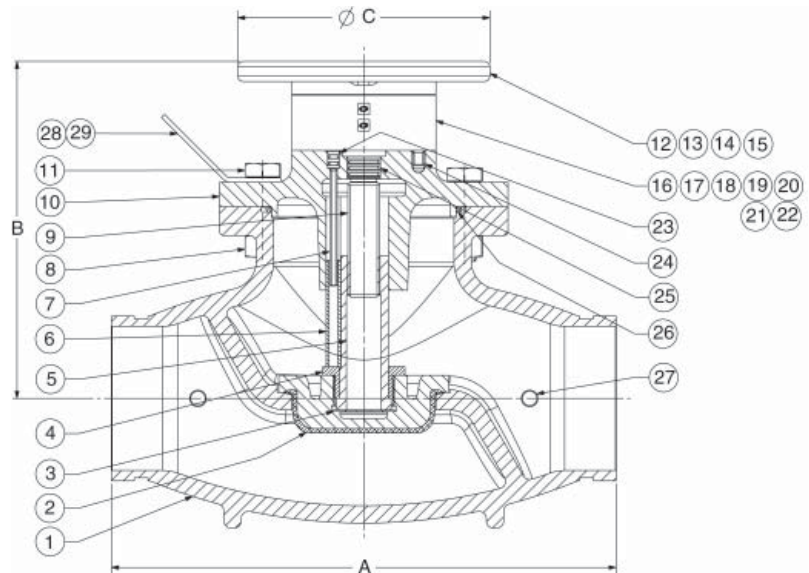
Temperature: 250°F maximum (for low temperature, consult NIBCO Technical Services.)



G737A

MATERIAL LIST

PART	SPECIFICATION
1. Grooved Body	Cast Iron ASTM A 126B
2. EPDM Coated Disc	Cast Iron EN1561 GLJ 250
3. Absorber	EPDM 80
4. Disc Nut Retainer	HT Brass B52874
5. Disc Stem Nut	HT Brass B52874
6. Stop Pin	HT Brass B52874
7. Regulating Screw	HT Brass B52874
8. Hex Nut	Zinc Plated Steel
9. Stem 2½" - 4"	HT Brass B52874
9. Stem 5" - 12"	Stainless Steel B5970
10. Bonnet	Cast Iron EN1562 GLJ 250
11. Hex Socket Screw	Zinc Plated Steel
12. Handwheel	Cast Iron EN1561 GLJ 250
13. Washer	HT Brass B52874 (4)
14. Hex Head Screw	Steel (Metric 8.8) (4)
15. Handwheel Cap	ABS
16. Stuffing Box	HB Brass B52874
17. Indicator Sleeve	POM
18. Indicator Wheel	ABS
19. Indicator Quadrant	ABS
20. Indicator Wheel Pin	HT Brass B52874
21. Wheel Pin	HT Brass B52874
22. Drive Gear	PA 6 30%GF
23. O-Ring	EPDM 80 (2)
24. Hex Socket Screw	Steel (Metric 8.8) (4)
25. O-Ring	EPDM 80 (3)
26. O-Ring	EPDM 80
27. Pipe Plug	Steel (4)
28. Lifting Lug	Painted Steel
29. Test Point Kit	Not Shown



DIMENSIONS - WEIGHTS - QUANTITIES

Valve Size	A	B	C	Weight	
In. mm.	In. mm.	In. mm.	In. mm.	Lbs.	Kg.
2½	65	11.42 290	7.32 186	5.91 160	39 18
3	80	12.20 310	8.15 207	6.89 175	49 22
4	100	13.78 350	9.21 234	6.89 175	66 30
5	125	15.75 400	10.31 262	10.43 265	124 56
6	150	18.90 480	12.20 310	10.43 265	148 67
8	200	23.62 600	15.69 399	17.72 450	312 142
10	250	28.74 730	17.81 452	17.72 450	506 230
12	300	33.46 850	20.18 513	17.72 450	783 355

Why balance your system?

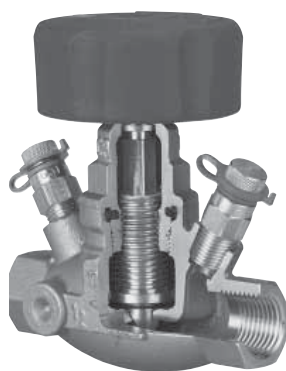
Whether a system is designed for heating, cooling or water distribution it must be properly adjusted and balanced for optimum design performance. An unbalanced system may produce temperature variations of up to 14°F between rooms, which typically add up to 35% to energy costs.

Valuable time and money can be saved when the system being installed matches a pre-determined design and accurate pressure-drop calculations have already been made.

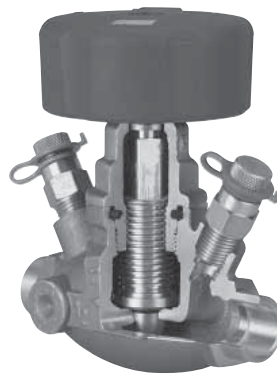
What are the benefits?

- A balanced system ensures a comfortable indoor climate
- The correct flow in boilers and chillers
- The desired flow distribution throughout the building
- Energy savings and cost savings
- Trouble-free operation and ease of maintenance
- Lower capital costs

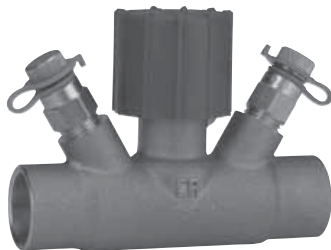
NIBCO offers a full range of Balancing Valves & Accessories



T1710



S1710



1709



M2000