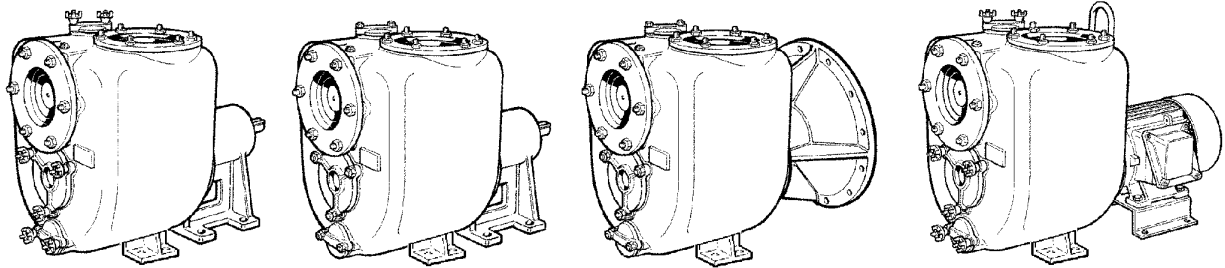


DISTINTA DELLE PARTI COSTITUENTI LE POMPE CENTRIFUGHE AUTOADESCANTI SERIE " J "
SPARE PARTS LIST FOR " J " SERIES SELF-PRIMING PUMPS
LISTE DES PIECES DE RECHANGE POUR POMPES CENTRIFUGES AUTO-AMORCANTES SERIE " J "
ERSATZTEILLISTE FÜR SELBSTANSAUGENDE KREISELPUMPEN SERIE " J "

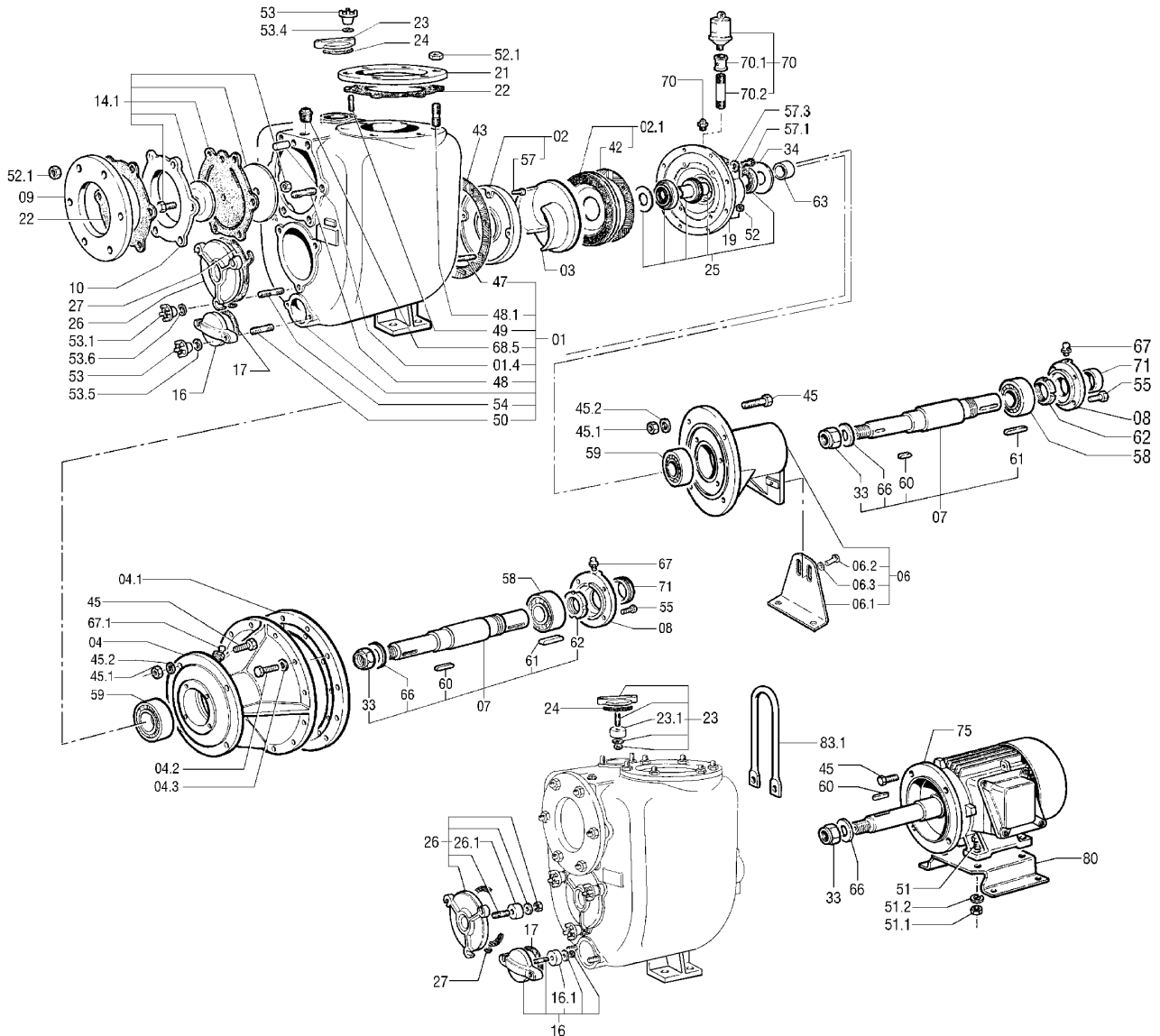


J6-250 TWGS Code 10021235
 J6-250 TWQS Code 10021267
 J6-250 TWBS Code 10021280

J6-250 TPS Code 10025397
 J6-250 TWFS Code 10021295
 J6-250 TWKS Code 10021337

J6-250 TWG SAE4 Code 1002 1258

J6-250 TWGMC3 Code 10021239



VARISCO S.p.A.

35129 Padova – Z.I. Nord Terza Strada, 9

Tel. 049 82 94 111

+39 049 82 94 111

Fax 049 82 94 373

International +39 049 80 76 762



Rif. N°. Pos. Nr.	Quant.	Denominazione	Part name	Den. Comm.	Type	Mat. *	Codice Vecchio Old Part. No.	Codice Nuovo New Part. No.	J 6-250 TWGS	J 6-250 TPS	J 6-250 TMFS	J 6-250 TWGS	J 6-250 TWBS	J 6-250 TWGMC3	J 6-250 TWKS	J 6-250 TWG SAEA	
01	1	Corpo (1)	Casing (1)			G		1002 3930	○	○	○	○					
						B		1002 3931					○				
						K		1002 3932								○	
01.4	1	Spina	Spring pin	UNI 6873 5 x 10		S	1463 4003	1000 1775	○	○	○	○	○	○	○	○	
02	1	Piatto d'usura (2)	Wear plate (2)			GN	5585 3037	1000 8429	○					○		○	
						G	5585 3047	1000 8433	③	○	○				③		
						B	5585 2033	1000 8405	②						○	②	
						G	5585 3047	1000 8433	⑧			⑧	⑧	⑧	⑧	⑧	
						K	5585 5042	1001 7998									○
02.1	1	Piatto d'usura (3)	Wear plate (3)			GN		1002 3925	○					○		○	
						G		1002 3926	③	○	○			③	③		
						B		1002 3927	②			○	○	②	②		
						G		1002 3926	⑧			⑧	⑧	⑧	⑧		
						K		1002 3928								○	
03	1	Girante	Impeller			GS	3407 3005	1000 5458	○	○				○		○	
						B	3407 2000	1000 5447	①			○	○	①			
						K	3405 5058	1000 5428	⑤		○			⑤	○		
04	1	Campana	Coupling flange			G		1002 1255								○	
04.1	1	Flangia	Flange			G	3150 3031	1000 4422								⑩	
04.2	12	Vite	Screw	M 10 x 30 DIN 933		S	1478 4026	1000 1949								⑩	
04.3	12	Rondella	Washer	M 10 UNI 1751/52A		S	1448 4004	1000 1680								⑩	
06	1	Supporto completo (4)	Bearing housing compl. (4)			G		1002 1227	○	○	○	○	○	○	○		
07	1	Albero (5)	Shaft (5)			S3		1002 1225	○	○							
						K7		1002 1264	⑥	⑥	○	○	○		○		
						S3		1002 3975								○	
08	1	Copricuscinetto	Bearing cover			G	3285 3009	1000 4775	○	○	○	○	○	○	○		
09	1	Flangia aspirazione	Suction flange	DN 150 D.I. 1882		S	1426 4029	1000 1499	○	○	○	○	○	○	○	○	
						K		1002 1144								○	
10	1	Portavalvola	Suction flange			G	3660 3018	1000 6431	○	○	○			○		○	
						OTS	3660 2010	1000 6402				○	○				
						K	3660 5012	1000 6452								○	
14.1	1	Valvola completa (6)	Check valve ass. (6)			NG	5960 0022	1000 9026	○			○	○	○	○	○	
						VK	5960 0036	1000 9036	⑦	○	○	⑦	⑦	⑦	○	⑦	
16	1	Portina	Cover			G	3675 3001	1000 6474	○	○	○			○		○	
						GZ	5675 3001	1000 8503	⑧			○		⑧	⑧		
						OTS	2675 2001	1000 3749					○				
						K	3675 5001	1000 6503								○	
17 (**)	1	Guarnizione	Gasket	72 x 95 x 3													
19	1	Portamotore	Head			G		1002 1216	○	○	○	○		○		○	
						B		1002 1276					○				
						K		1002 1332							○		
21	1	Flangia mandata	Discharge flange	DN 150 D.I. 1882		S	1426 4005	1000 1481	○	○	○	○	○	○	○	○	
						K	1426 5000	1000 1545								○	
22 (**)	2	Guarnizione	Gasket	150 x 285 x 3													
23	1	Portina	Cover			G	3675 3001	1000 6474	○	○	○			○		○	
						GZ	5675 3001	1000 8503	⑧			○		⑧	⑧		
						OTS	2675 2001	1000 3749					○				
						K	3675 5001	1000 6503								○	
24 (**)	1	Guarnizione	Gasket	72 x 95 x 3													
25	1	Anello di tenuta compl.	Mechanical seal ass.			T45 YYN ND		1002 1228	○			○	○	○		○	
						T 45 GWV BT		1002 3973		○							
						T 45 YYV ND		1002 1309	⑦		○	⑦	⑦	⑦	○	⑦	
26	1	Portina	Cover			G	3675 3005	1000 6477	○	○	○			○		○	
						GZ	5675 3005	1000 8505	⑧			○		⑧	⑧		
						OTS	2675 2004	1000 3751					○				
						K	3675 5003	1000 6505								○	

VARISCO S.p.A.

35129 Padova – Z.I. Nord Terza Strada, 9

Tel. 049 82 94 111

+39 049 82 94 111

Fax 049 82 94 373

International +39 049 80 76 762



Rif. N°. Pos. Nr.	Quant.	Denominazione	Part name	Den. Comm.	Type	Mat. *	Codice Vecchio Old Part. No.	Codice Nuovo New Part. No.	J 6-250 TWGS	J 6-250 TPS	J 6-250 TWFS	J 6-250 TWQS	J 6-250 TWBS	J 6-250 TWGMC3	J 6-250 TWKS	J 6-250 TWG SAE4
27 (**)	1	Guarnizione	Gasket													
33	1	Dado blocca girante	Impeller nut	M 30 x 2 UNI 7474	H		1422 5008	1000 1466	○	○					○	○
				M 30 x 2 UNI 7474	K		1422 5015	1000 1473	⊗	⊗	○	○	○		○	
42 (**)	1	Guarnizione piatto	Wear plate gasket													
43 (**)	1	Guarnizione corpo	Casing gasket													
45	4	Vite	Screw	M 12 x 30 DIN 933	S		1478 4039	1000 1960							○	
				M 12 x 45 DIN 933	K		1478 5044	1000 2056			○	○			○	
				M 12 x 45 DIN 931	S			1000 1963	○	○						○
45.1	4	Dado	Nut	M 12 DIN 934	S		1420 4006	1000 1422	○	○						○
					K		1420 5008	1000 1439			○	○	○		○	
45.2	4	Rondella	Washer	M 12 UNI 1751/52 A	S		1448 4005	1000 1681	○	○						○
					K		1448 5000	1000 1685			○	○	○		○	
47 (*)	8	Prigioniero	Stud	M 12 x 25 DIN 938	S				○	○						○
				M 12 x 25 DIN 938	K						○	○	○		○	
				M 12 x 30 DIN 938	S									○		
				M 12 x 35 DIN 938	S									○		
48 (*)	6	Prigioniero	Stud	M 16 x 55 DIN 938	S		1468 4018	1000 1832	○	○				○	○	
				M 16 x 60 DIN 938	K		1468 5010	1000 1851			○	○	○		○	○
48.1 (*)	6	Prigioniero	Stud	M 16 x 35 DIN 938	S				○	○				○	○	
					K						○	○	○		○	○
49 (*)	2	Prigioniero	Stud	M 10 x 35 DIN 938	S				○	○				○	○	
					K						○	○	○		○	○
50 (*)	2	Prigioniero	Stud	M 10 x 35 DIN 938	S				○	○				○	○	
					K						○	○	○		○	○
51	4	Vite	Screw	M 12 x 40 DIN 933	S		1478 4041	1000 1962						○		
51.1	4	Dado	Nut	M 12 DIN 934	S		1420 4006	1000 1422						○		
51.2	4	Rondella	Washer	M 12 DIN 125 A	S		1450 4016	1000 1699						○		
52 (*)	8	Dado	Nut	M 12 DIN 934	S				○	○				○	○	
					K						○	○	○		○	○
52.1 (*)	12	Dado	Nut	M 16 DIN 934	S				○	○				○	○	
					K						○	○	○		○	○
53 (*)	4	Maniglietta	Wrench	M 10	OTS				○	○		○	○	○	○	
		Dado	Nut	M 10 DIN 934	K						○			○		
53.1 (*)	3	Maniglietta	Wrench	M 12	OTS				○	○		○	○	○	○	
		Dado	Nut	M 12 DIN 934	K						○			○		
53.4 (*)	2	Rondella	Washer	M 10 DIN 125 A	K					○				○		
53.5 (*)	2	Rondella	Washer	M 10 DIN 125 A	K					○				○		
53.6 (*)	3	Rondella	Washer	M 12 DIN 125 A	K					○				○		
54 (*)	3	Prigioniero	Stud	M 12 x 30 DIN 938	S				○	○				○	○	
					K							○	○	○		○
55	4	Vite	Screw	M 6 x 20 DIN 933	S		1478 4005	1000 1933	○	○	○	○	○	○	○	
57 (*)	4	Vite	Screw	M 10 x 20 DIN 912	H				○	○				○	○	
					K							○	○	○		○
57.1 (*)	4	Vite	Screw	M 12 x 25 DIN 933	S				○	○				○	○	
					K							○			○	
					H								○	○		○
57.3 (*)	4	Rondella	Washer	M 12 DIN 125A	S				○	○				○	○	
					K								○	○		○
58	1	Cuscinetto	Ball bearing	3308			1418 0027	1000 1348	○	○	○	○	○	○	○	
59	1	Cuscinetto	Ball bearing	62208-2RS			1418 0049	1000 1365	○	○	○	○	○	○	○	
60	1	Linguetta	Key	10 x 8 x 40 DIN6885A	K			1000 1626	○	○	○	○	○	○	○	
61	1	Linguetta	Key	10 x 8 x 70 DIN6885A	S		1434 4020	1000 1598	○	○	○	○	○	○	○	
62	1	Ghiera	Lock ring	M 40	S		1430 4004	1000 1573	○	○	○	○	○	○	○	
63	1	Ghiera		35 x 52 x 34	S			1001 5747	○	○	○	○	○	○	○	
				35 x 50 x 3				1001 5794						○	○	

VARISCO S.p.A.

35129 Padova - Z.I. Nord Terza Strada, 9

Tel. 049 82 94 111

+39 049 82 94 111

Fax 049 82 94 373

International +39 049 80 76 762

 **varisco**
a solid name in fluids

Rif. N° Pos. Nr.	Quant.	Denominazione	Part name	Den. Comm.	Type	Mat. *	Codice Vecchio Old Part. No.	Codice Nuovo New Part. No.	J 6-250 TWGS	J 6-250 TPS	J 6-250 TWFS	J 6-250 TWQS	J 6-250 TWBS	J 6-250 TWGMC3	J 6-250 TWKS	J 6-250 TWG SAE4	
66	1	Rondella	Washer	M 30 DIN 125A		H	1450 5014	1000 1716	○	○							
							1450 5013	1000 1715	Ⓞ	Ⓞ	○	○	○	○			
67	1	Ingrassatore	Grease nipple	M 6			1444 0009	1000 1664	○	○	○	○	○				
							1444 0010	1000 1665									○
68.5 (*)	1	Tappo	Plug	1/4"		G	1640 3002	1000 2379	○	○					○	○	
							1671 5002	1000 2414			○	○	○			○	
70 (*)	1	Ingrassatore	Grease nipple	1/4"			1444 0007	1000 1662	○	○	○	○	○	○	○	○	
							5444 0012	1000 8316	④		④			④		④	
70.1	1	Manicotto	Union	1/4"		G	1635 3002	1000 2352	④		④			④	④		
70.2	1	Prolunga	Grease tube	1/4"		S	3988 4000	1000 6955	④		④			④	④		
71	1	V-ring	V-ring	V 35		N	1408 6004	1000 1294	○	○	○	○	○		○	○	
75	1	Motore	A.C. Motor	kW 11 - 380V				1002 1237								○	
80	1	Piede motore	Motor base			S	4600 0015	1000 7429								○	
83.1	1	Gancio di sollevam.	Lifting hook			S	4390 0002	1000 7397								○	
(*)		Serie viterie	Set of screws					1001 4213	○	○					○	○	
								1001 4221				○	○				
								1002 1291			○					○	
(**)		Serie guarnizioni	Set of gaskets			N		1002 6958	○			○	○	○		○	
								1002 4037								○	
								1002 4038	⑦	○	○	⑦	⑦	⑦		⑦	

Note:

- 1) Completo di prigionieri (47, 48, 49, 50, 54) e tappo (68.5).
- 2) Completo di viti (57).
- 3) Completo di guarnizione (42).
- 4) Completo di supporto (06), piede (06.1), vite (06.2) e rondella (06.3)
- 5) Completo di dado (33), rondella (66), linguette (60,61) e ghiera (62).
- 6) Completo valvola, contrappesi, vite e dado.
- 7) Completo di manicotto (70.1) e prolunga (70.2).

- Ⓞ + S Con adattatore SAE5
- ① + BI Girante in bronzo
- ② + BWP Piatto in bronzo
- ③ + GWP Piatto in ghisa
- ④ + P Cartuccia Perma
- ⑤ + SSI Girante in acciaio inox AISI 316
- ⑥ + SSS Albero in acciaio inox SAF 2507
- ⑦ + V Guarnizioni in Viton
- ⑧ + Z Protezione galvanica

* Materiali di costruzione

- B = Bronzo
- D = Guarnital
- E3 = Centellen VS 3820
- F = Ferro
- G = Ghisa
- GS = Ghisa sferoidale
- H = Acciaio INOX AISI 304
- K = Acciaio INOX AISI 316
- K7 = Acciaio INOX SAF 2205
- N = Gomma nitrile
- OTS = Ottone
- S = Acciaio
- S3 = Acciaio 38NiCrMo4
- T = Teflon
- V = Viton
- Z = Zinco

Ordinare il materiale indicando sempre la quantità, la denominazione, il codice del pezzo, il tipo ed il numero della pompa.

VARISCO S.p.A.

35129 Padova – Z.I. Nord Terza Strada, 9
 Tel. 049 82 94 111 +39 049 82 94 111
 Fax 049 82 94 373 International +39 049 80 76 762

Notes:

- 1) Complete with studs (47, 48, 49, 50, 54) and plug (68.5).
- 2) Complete with screws (57).
- 3) Complete with gasket (42).
- 4) Complete with bearing housing (06), foot (06.1), screw (06.2) and washer (06.3).
- 5) Complete with nut (33), washer (66), keys (60,61) and lock ring (62).
- 6) Complete with check valve, weights, screw and nut.
- 7) Complete with union (70.1) and grease tube (70.2).

- Ⓞ + S With SAE5 adapter
- ① + BI Bronze impeller
- ② + BWP Bronze wear plate
- ③ + GWP Cast iron wear plate
- ④ + P Perma cartridge
- ⑤ + SSI AISI 316 stainless steel impeller
- ⑥ + SSS SAF 2507 stainless steel shaft
- ⑦ + V With Viton gaskets
- ⑧ + Z Zinc anode

* Construction material

- B = Bronze
- D = Guarnital
- E3 = Centellen VS 3820
- F = Iron
- G = Cast iron
- GS = Ductile cast iron
- H = AISI 304 Stainless steel
- K = AISI 316 Stainless steel
- K7 = SAF2205 Stainless steel
- N = Nitrile rubber
- OTS = Brass
- S = Steel
- S3 = Steel 38 NiCrMo4
- T = Teflon
- V = Viton
- Z = Zinc

When ordering spares always indicate type and serial number of pump, quantity, part name, and number.

