

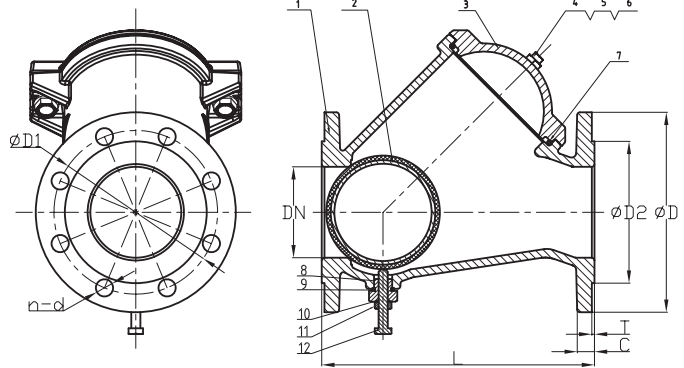
Ball Check Valve (LHQ41X)



LHQ41X



- Connection Ends: Flange to BS EN 1092-2:1997
- Working Pressure: PN10/16
- Temperature Range: 0°C- 100°C
- Coating: Fusion Bonded Epoxy Coating in accordance with ANSI/AWWA C550



MATERIAL SPECIFICATION

| Part No. | Part | Standard Specification |
|----------|-------------|--------------------------|
| 1 | Body | EN-GJS-450-10 |
| 2 | Ball | Aluminum ball +EPDM |
| 3 | Cover | EN-GJS-450-10 |
| 4 | Bolt | Carbon steel Zinc plated |
| 5 | Nut | Carbon steel Zinc plated |
| 6 | Flat Washer | Carbon steel Zinc plated |
| 7 | O Rings | NBR |
| 8 | Nut | Brass HPb59-1 |
| 9 | Washer | EPDM |
| 10 | O Rings | NBR |
| 11 | Nut | Carbon steel Zinc plated |
| 12 | Screw | Brass HPb59-1 |

Note: For special material request other than standard specification, please indicate clearly on the inquiry or order list.

| DN | | PN | Dimensions(mm) | | | | | | |
|------|-----|-------|----------------|-----|-----|-----|------|---|---------------|
| Inch | mm | | L | D | D1 | d | C | T | n- ϕ L |
| 2" | 50 | 10/16 | 200 | 165 | 125 | 99 | 19 | 3 | 4- ϕ 19 |
| 2.5" | 65 | 10/16 | 240 | 185 | 145 | 118 | 19 | 3 | 4- ϕ 19 |
| 3" | 80 | 10/16 | 260 | 200 | 160 | 132 | 19 | 3 | 8- ϕ 19 |
| 4" | 100 | 10/16 | 300 | 220 | 180 | 156 | 19 | 3 | 8- ϕ 19 |
| 5" | 125 | 10/16 | 350 | 250 | 210 | 184 | 19 | 3 | 8- ϕ 19 |
| 6" | 150 | 10/16 | 400 | 285 | 240 | 211 | 19 | 3 | 8- ϕ 23 |
| 8" | 200 | 10 | 500 | 340 | 295 | 266 | 20 | 3 | 8- ϕ 23 |
| | | 16 | | | | | | | 12- ϕ 23 |
| 10" | 250 | 10 | 600 | 405 | 350 | 319 | 22 | 3 | 12- ϕ 23 |
| | | 16 | | | 355 | | | | 12- ϕ 28 |
| 12" | 300 | 10 | 700 | 460 | 400 | 370 | 24.5 | 4 | 12- ϕ 23 |
| | | 16 | | | 410 | | | | 12- ϕ 28 |