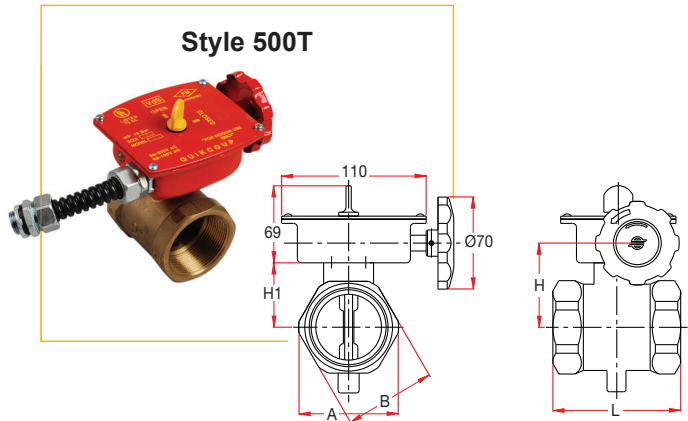
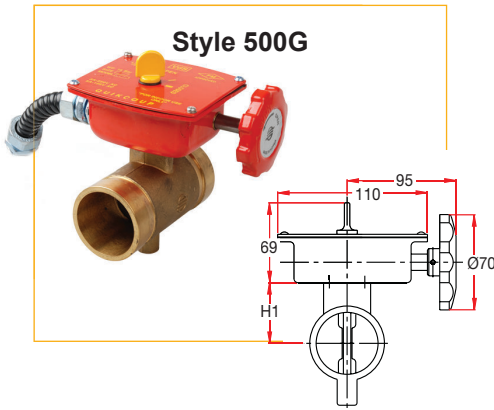




500G

500T

Style 500G, 500T



■ Style 500G: Bronze Grooved End Butterfly

- Specifications:
 - Size: DN50(2") - DN 65(2½")
 - Working Press.: 16 Bar / 300 psi
 - Max. Test Press.: 24 Bar / 350 psi
 - Working Temp.: Up to 90° Celsius

- Material
 - Body: Bronze ASTM B505, Red Brass ASTM B584
 - Disc: Aluminum Bronze ASTM B148, Red brass ASTM B584, EPDM coated
 - Stem: Nickel-Chrome ASTM A564, Hardened & Tempered

■ Style 500G: Messing Geriefte Drosselklappen

- Technische Daten:
 - Nennweite : DN50(2") - DN 65(2½")
 - Arbeitsdruck : 16 Bar / 300 psi
 - Max. Druckprüfung: 24 Bar / 350 psi
 - Betriebstemp.: Bis max. 90°C

- Werkstoffe:
 - Gehäuse: Messing ASTM B505, Red brass ASTM B584
 - Scheibe: Al. Messing ASTM B148, Gusseisen ASTM B584, EPDM beschichtet
 - Stamm: Gehärtete Nickel-Chrome ASTM A564

■ Style 500G: Bronzen Gegroefde Vienderkleppen

- Specificaties:
 - Maat: DN50(2") - DN 65(2½")
 - Werkdruk: 16 Bar / 300 psi
 - Max. Testdruk: 24 Bar / 350 psi
 - Temperatuurbereik: tot max. 90° Celsius

- Materiaal:
 - Carrosserie: Brons ASTM A505, Red Brass ASTM B584
 - Schijf: Aluminum brons ASTM B148, Red brass ASTM B584, EPDM ingekapseld
 - Steel: Gehard Nikkel-Chrome ASTM A564,

■ Style 500T: Bronze Threaded Butterfly

- Specifications:
 - Size: DN25(1") - DN 65(2½")
 - Working Press.: 16 Bar / 300 psi
 - Max. Test Press.: 24 Bar / 350 psi
 - Working Temp.: Up to 90° Celsius

- Material
 - Body: Bronze ASTM B505, Red Brass ASTM B584
 - Disc: Aluminum Bronze ASTM B148, Red brass ASTM B584, EPDM coated
 - Stem: Nickel-Chrome ASTM A564, Hardened & Tempered

■ Style 500T: Messing Gewinde Drosselklappen

- Technische Daten:
 - Nennweite : DN25(1") - DN 65(2½")
 - Arbeitsdruck : 16 Bar / 300 psi
 - Max. Druckprüfung: 24 Bar / 350 psi
 - Betriebstemp.: Bis max. 90°C

- Werkstoffe:
 - Gehäuse: Messing ASTM B505, Red brass ASTM B584
 - Scheibe: Al. Messing ASTM B148, Gusseisen ASTM B584, EPDM beschichtet
 - Stamm: Gehärtete Nickel-Chrome ASTM A564

■ Style 500T: Bronzen Draad Vienderkleppen

- Specificaties:
 - Maat: DN25(1") - DN 65(2½")
 - Werkdruk: 16 Bar / 300 psi
 - Max. Testdruk: 24 Bar / 350 psi
 - Temperatuurbereik: tot max. 90° Celsius

- Materiaal:
 - Carrosserie: Brons ASTM A505, Red Brass ASTM B584
 - Schijf: Aluminum brons ASTM B148, Red brass ASTM B584, EPDM ingekapseld
 - Steel: Gehard Nikkel-Chrome ASTM A564,

Style	Nominal Size (Inches)	Pipe Outside Diam.	Dimensions								Weight Kg.	Approvals
			A	B	C	D	E	H	H1	L		
Grooved End Gerieft Gegroefd	2"	60.3	-	60.3	57.1	15.8	7.9	65.0	50.0	114.0	2.2	UL / VDS
	2½"	76.1	-	73.0	69.0	15.8	7.9	65.0	50.0	114.0	2.4	UL / VDS
Threaded Gewinde Draad	1"	33.4	43.7	39.7	54.0	-	-	52.0	37.0	54.0	1.5	UL / VDS
	1¼"	42.4	53.2	49.0	67.0	-	-	56.0	41.0	67.0	1.7	UL / VDS
	1½"	48.3	58.5	56.0	73.0	-	-	59.0	44.0	73.0	1.8	UL / VDS
	2"	60.3	76.0	70.0	82.0	-	-	64.0	49.0	82.4	2.4	UL / VDS
	2½"	76.1	89.0	84.0	104.0	-	-	65.0	50.0	104.0	3.1	UL / VDS