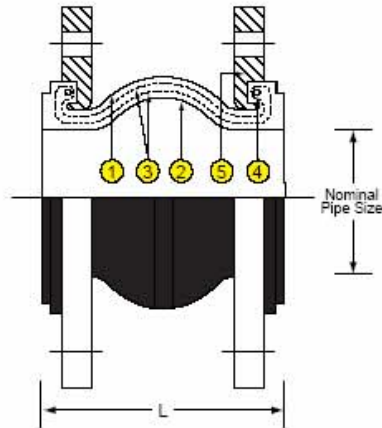




**AFA**<sup>®</sup>

**STYLE 99 SFA** AMERICAN STANDARD  
SINGLE SPHERE FLANGE



S/NO	PART NAME	MATERIAL
1	Body (Outer Layer)	Special Synthetic Rubber
2	Body (Inner Layer)	Special Synthetic Rubber
3	Reinforcing Fabric	Nylon Fabric
4	Wire	Hard Steel Wire
5	Flange	Stainless Steel

Operating Pressure : 232 PSI  
 Operating Temperature : 14 to 176 Deg F  
 Vacuum Rating : 27 IN/HG  
 \*Applicable Fluids : Water, Warm Water, Sea Water, Air & Weak Acid  
 Flanges Standard : DIN, ANSI, JIS & BS

NOMINAL PIPE SIZE		NEUTRAL LENGTH L	AXIAL COMPRESSION	AXIAL ELONGATION	LATERAL DEFLECTION	ANGULAR DEFLECTION
MM	INS	INS	INS	INS	+ OR - INS	+ OR - DEG
32	1 1/4	6	1/2	3/8	1/2	15
40	1 1/2	6	1/2	3/8	1/2	15
50	2	6	1/2	3/8	1/2	15
65	2 1/2	6	1/2	3/8	1/2	15
80	3	6	1/2	3/8	1/2	15
100	4	6	5/8	3/8	1/2	15
125	5	6	5/8	3/8	1/2	15
150	6	6	5/8	3/8	1/2	15
200	8	6	5/8	3/8	1/2	15
250	10	8	3/4	1/2	3/4	15
300	12	8	3/4	1/2	3/4	15

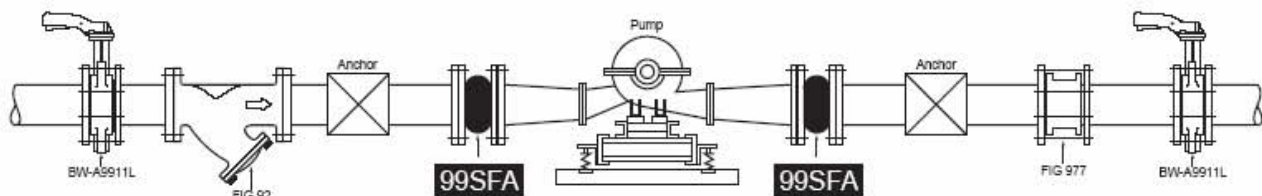
**OPERATING TEMPERATURE AGAINST OPERATING PRESSURE**

OPERATING TEMPERATURE °F	AMBIENT	122	140	158	176
MAXIMUM OPERATING PRESSURE(PSI)	232	180	145	110	95



**NOTES**

- Higher temperatures affect movement and pressure. As temperature increases, rated values must be reduced accordingly.
- Pressures shown are recommended "operating", test pressure is 1.5 times "operating".
- Vacuum rating is based on neutral installed length without external load. Products shall not be installed "elongated" on vacuum applications.
- Expansion joints may operate in pipelines or equipments carrying fluids at evaluated temperatures and pressures. Normal precautions shall be taken to make sure these parts are installed correctly and inspected regularly. Precautions shall be taken to protect personnel in the event of leakage or splash.
- \* For other kinds of applicable fluids, except the above, to which the rubber joint becomes applicable, please kindly consult your supplier or manufacturer.



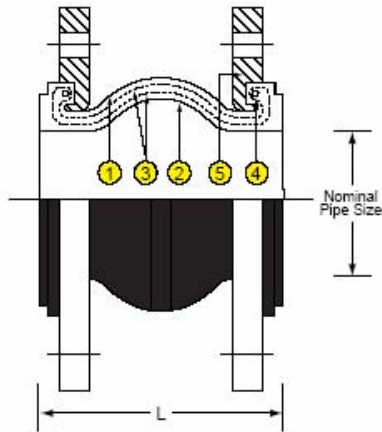
*A New Era In Total Solution*



**AFA**<sup>®</sup>

STYLE 99 SFA **AMERICAN STANDARD**

SINGLE SPHERE FLANGE



S/NO	PART NAME	MATERIAL
1	Body (Outer Layer)	Special Synthetic Rubber
2	Body (Inner Layer)	Special Synthetic Rubber
3	Reinforcing Fabric	Nylon Fabric
4	Wire	Hard Steel Wire
5	Flange	Stainless Steel

Operating Pressure : See Table Below  
 Operating Temperature : 14 to 176 Deg F  
 Vacuum Rating : 27 IN/HG  
 \*Applicable Fluids : Water, Warm Water, Sea Water, Air & Weak Acid  
 Flanges Standard : DIN, ANSI, JIS & BS

NOMINAL PIPE SIZE		NEUTRAL LENGTH L	AXIAL COMPRESSION	AXIAL ELONGATION	LATERAL DEFLECTION	ANGULAR DEFLECTION	MAXIMUM OPERATING PRESSURE
MM	INS	INS	INS	INS	+ OR - INS	+ OR - DEG	PSI
350	14	10 1/2	1	5/8	3/4	15	145
400	16	10 1/2	1	5/8	3/4	15	145
450	18	8	3/4	1/2	3/4	15	145
500	20	8	3/4	1/2	3/4	15	145
600	24	10	3/4	1/2	3/4	15	145
700	28	10	3/4	1/2	3/4	10	115
750	30	10	3/4	1/2	3/4	10	115
800	32	10	3/4	1/2	3/4	8	115
900	36	10	3/4	1/2	3/4	8	115
1000	40	12	3/4	1/2	3/4	8	85
1100	44	12	3/4	1/2	3/4	6	85
1200	48	12	3/4	1/2	3/4	6	85

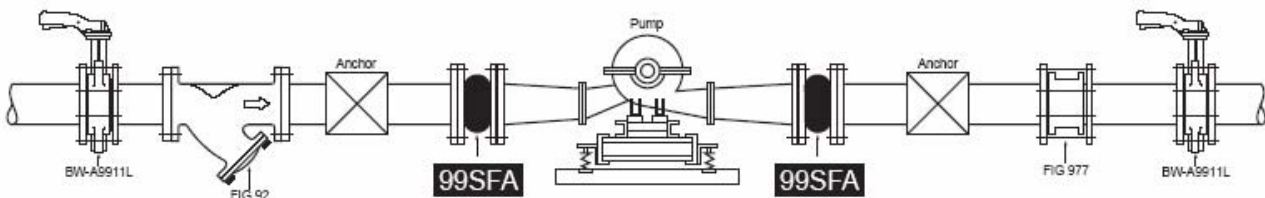
**OPERATING TEMPERATURE AGAINST OPERATING PRESSURE**

OPERATING TEMPERATURE °F	AMBIENT	122	140	158	176
MAXIMUM OPERATING PRESSURE(PSI)	145	108	90	72	58
	115	86	72	57	46
	85	64	53	42	34



**NOTES**

- Higher temperatures affect movement and pressure. As temperature increases, rated values must be reduced accordingly.
- Pressures shown are recommended "operating", test pressure is 1.5 times "operating".
- Vacuum rating is based on neutral installed length without external load. Products shall not be installed "elongated" on vacuum applications.
- Expansion joints may operate in pipelines or equipments carrying fluids at evaluated temperatures and pressures. Normal precautions shall be taken to make sure these parts are installed correctly and inspected regularly. Precautions shall be taken to protect personnel in the event of leakage or splash.
- \* For other kinds of applicable fluids, except the above, to which the rubber joint becomes applicable, please kindly consult your supplier or manufacturer.



*A New Era In Total Solution*