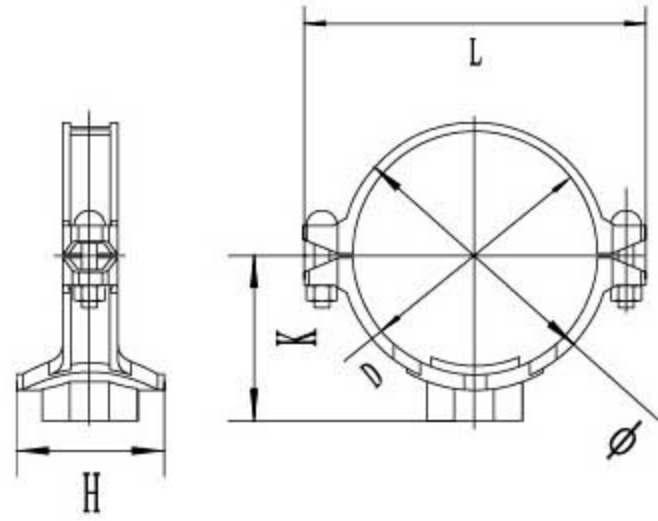


XGQT03S

Mechanical Tee Threaded



The specific items list shall be subject to the public notice of FM and UL website.

| Nominal Size mm/in | Pipe O.D mm/in | Working Pressure PSI/MPa | Bolt Size No.-Size mm | Dimensions mm/in | | | | Hole cutting dimensions mm/in | UL | FM |
|-----------------------|---------------------------|--------------------------------|--------------------------|------------------|--------------|--------------|--------------|--|----|----|
| | | | | Ø | L | K | H | | | |
| 40X25 1½X1 | 48.3X33.7 1.900X1.327 | 300 2.07 | 2-M10X45 | 67 2.637 | 112 4.409 | 56 2.204 | 61 2.401 | 32 1.259 | • | |
| 50X15 2X½ | 60.3X21.3 2.375X0.839 | 300 2.07 | | 75 2.953 | 116 4.567 | 57 2.362 | 69 2.717 | 38 1.496 | | |
| 50X20 2X¾ | 60.3X26.9 2.375X1.059 | 300 2.07 | | 75 2.953 | 116 4.567 | 57 2.362 | 69 2.717 | 38 1.496 | | |
| 50X25 2X1 | 60.3X33.7 2.375X1.327 | 300 2.07 | 2-M10X55 | 75 2.953 | 116 4.567 | 60 2.362 | 69 2.717 | 38 1.496 | • | • |
| 50X32 2X1¼ | 60.3X42.4 2.375X1.669 | 300 2.07 | | 75 2.953 | 116 4.567 | 60 2.362 | 69 2.717 | 46 1.811 | • | • |
| 50X40 2X1½ | 60.3X48.3 2.375X1.900 | 300 2.07 | | 75 2.953 | 116 4.567 | 60 2.362 | 69 2.717 | 46 1.811 | • | • |
| 65X25 2½X1 | 73X33.7 2.874X1.327 | 300 2.07 | | 93 3.661 | 136 5.354 | 62 2.441 | 77 3.031 | 38 1.496 | | |
| 65X32 2½X1¼ | 73X42.4 2.874X1.669 | 300 2.07 | | 93 3.661 | 136 5.354 | 62 2.441 | 85 3.346 | 46 1.811 | • | |
| 65X40 2½X1½ | 73X48.3 2.874X1.901 | 300 2.07 | | 93 3.661 | 136 5.354 | 62 2.441 | 85 3.346 | 51 2.008 | | |
| 65X50 2½X2 | 73X60.3 2.874X2.375 | 300 2.07 | | 93 3.661 | 136 5.354 | 78 3.071 | 85 3.346 | 61 2.402 | | |
| 65X20 2½X¾ | 76.1X26.9 2.996X1.059 | 300 2.07 | 2-M12X60 | 102 4.016 | 144 5.669 | 67 2.637 | 77 3.031 | 38 1.496 | | |
| 65X25 2½X1 | 76.1X33.7 2.996X1.327 | 300 2.07 | | 102 4.016 | 144 5.669 | 70 2.756 | 77 3.031 | 38 1.496 | • | • |
| 65X32 2½X1¼ | 76.1X42.4 2.996X1.669 | 300 2.07 | | 102 4.016 | 144 5.669 | 70 2.756 | 83 3.268 | 46 1.811 | • | • |
| 65X40 2½X1½ | 76.1X48.3 2.996X1.900 | 300 2.07 | | 102 4.016 | 144 5.669 | 70 2.756 | 83 3.268 | 51 2.008 | • | • |
| 65X40 2½X2 | 76.1X60.3 2.996X2.375 | 300 2.07 | | 102 4.016 | 144 5.669 | 74 2.913 | 83 3.268 | 51 2.008 | • | |
| 80X15 3X½ | 88.9X21.3 3.500X0.839 | 300 2.07 | | 102 4.016 | 152 5.984 | 73 2.874 | 77 3.031 | 38 1.496 | | |
| 80X20 3X¾ | 88.9X26.9 3.500X1.059 | 300 2.07 | | 102 4.016 | 152 5.984 | 73 2.874 | 77 3.031 | 38 1.496 | | |
| 80X25 3X1 | 88.9X33.7 3.500X1.327 | 300 2.07 | | 114 4.488 | 152 5.984 | 82 3.228 | 77 3.031 | 38 1.496 | • | • |
| 80X32 3X1¼ | 88.9X42.4 3.500X1.669 | 300 2.07 | | 114 4.488 | 152 5.984 | 82 3.228 | 83 3.268 | 46 1.811 | • | • |
| 80X40 3X1½ | 88.9X48.3 3.500X1.900 | 300 2.07 | | 114 4.488 | 152 5.984 | 82 3.228 | 92 3.622 | 51 2.008 | • | • |
| 80X50 3X2 | 88.9X60.3 3.500X2.375 | 300 2.07 | | 114 4.488 | 152 5.984 | 82 3.228 | 99 3.898 | 61 2.402 | • | • |
| 100X25 4X1 | 108.0X33.7 4.252X1.327 | 300 2.07 | | 135 5.315 | 172 6.772 | 87 3.425 | 77 3.031 | 38 1.496 | | |
| 100X32 4X1¼ | 108.0X42.4 4.252X1.669 | 300 2.07 | 2-M12X65 | 135 5.315 | 172 6.772 | 87 3.425 | 83 3.268 | 46 1.811 | | |
| 100X40 4X1½ | 108.0X48.3 4.252X1.900 | 300 2.07 | | 135 5.315 | 172 6.772 | 87 3.425 | 92 3.622 | 51 2.008 | | |
| 100X50 4X2 | 108.0X60.3 4.252X2.375 | 300 2.07 | | 135 5.315 | 172 6.772 | 87 3.425 | 97 3.819 | 61 2.402 | | |
| 100X65 4X2½ | 108.0X76.1 4.252X2.996 | 300 2.07 | | 135 5.315 | 172 6.772 | 87 3.425 | 112 4.409 | 70 2.756 | | |
| 100X25 4X1 | 114.3X33.7 4.500X1.327 | 300 2.07 | | 140 5.512 | 188 7.402 | 93 3.661 | 77 3.031 | 38 1.496 | • | • |
| 100X32 4X1¼ | 114.3X42.4 4.500X1.669 | 300 2.07 | | 140 5.512 | 188 7.402 | 93 3.661 | 83 3.268 | 46 1.811 | • | • |
| 100X40 4X1½ | 114.3X48.3 4.500X1.900 | 300 2.07 | | 140 5.512 | 188 7.402 | 93 3.661 | 92 3.622 | 51 2.008 | • | • |
| 100X50 4X2 | 114.3X60.3 4.500X2.375 | 300 2.07 | | 140 5.512 | 188 7.402 | 93 3.661 | 97 3.819 | 61 2.402 | • | • |
| 100X65 4X2½ | 114.3X76.1 4.500X2.996 | 300 2.07 | | 140 5.512 | 188 7.402 | 93 3.661 | 123 4.843 | 81 3.189 | • | • |
| 100X80 4X3 | 114.3X88.9 4.500X3.500 | 300 2.07 | | 140 5.512 | 188 7.402 | 93 3.661 | 125 4.921 | 86 3.386 | • | |
| 125X25 | 133.0X33.7 5.236X1.327 | 300 2.07 | | 160 6.299 | 210 8.268 | 100 3.937 | 77 3.031 | 38 1.496 | | |
| 125X32 | 133.0X42.4 5.236X1.669 | 300 2.07 | | 160 6.299 | 210 8.268 | 100 3.937 | 83 3.268 | 46 1.811 | | |
| 125X40 | 133.0X48.3 5.236X1.900 | 300 2.07 | | 160 6.299 | 210 8.268 | 100 3.937 | 92 3.622 | 51 2.008 | | |
| 125X50 | 133.0X60.3 5.236X2.375 | 300 2.07 | | 160 6.299 | 210 8.268 | 100 3.937 | 97 3.819 | 61 2.402 | | |
| 125X65 | 133.0X76.1 5.236X2.996 | 300 2.07 | 2-M16X75 | 160 6.299 | 210 8.268 | 100 3.937 | 123 4.843 | 81 3.189 | | |
| 125X25 | 139.7X33.7 5.500X1.327 | 300 2.07 | | 168 6.614 | 220 8.661 | 100 3.937 | 77 3.031 | 38 1.496 | • | • |
| 125X32 | 139.7X42.4 5.500X1.669 | 300 2.07 | | 168 6.614 | 220 8.661 | 100 3.937 | 83 3.268 | 46 1.811 | • | • |
| 125X40 | 139.7X48.3 5.500X1.900 | 300 2.07 | | 168 6.614 | 220 8.661 | 100 3.937 | 92 3.622 | 51 2.008 | • | • |
| 125X50 | 139.7X60.3 5.500X2.375 | 300 2.07 | | 168 6.614 | 220 8.661 | 107 4.213 | 97 3.819 | 61 2.402 | • | • |