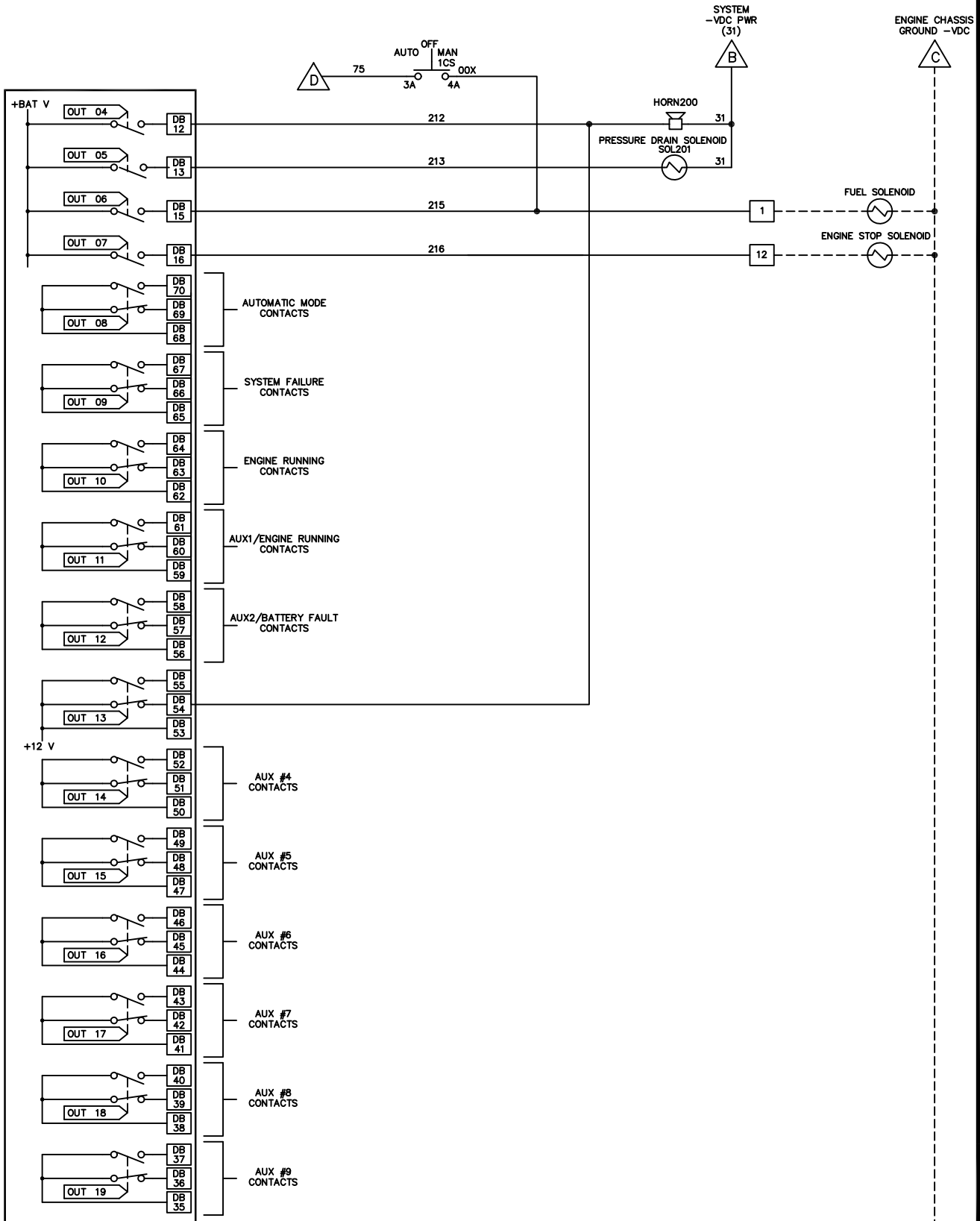
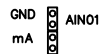


200
230
240
250
260



MOTHERBOARD JUMPER SETTINGS



DAUGHTERBOARD JUMPER SETTINGS

- J17, J18 0-10AMPS CHARGER (OPTION J)
- OR
- J17, J18 0-20AMPS CHARGER (OPTION JJ)

SCHEMATIC DIAGRAM FD4 DIESEL ENGINE FIRE PUMP CONTROLLER	DRAWN <i>JY</i> 02-02-04	METRON, INC. DENVER, CO.
	CHECK <i>E.F.</i> 02-06-04	
	APPD <i>ML.W.</i> 02-06-04	
OPTIONS: J		CS33613H
SCALE NTS		SHEET 2 OF 2