

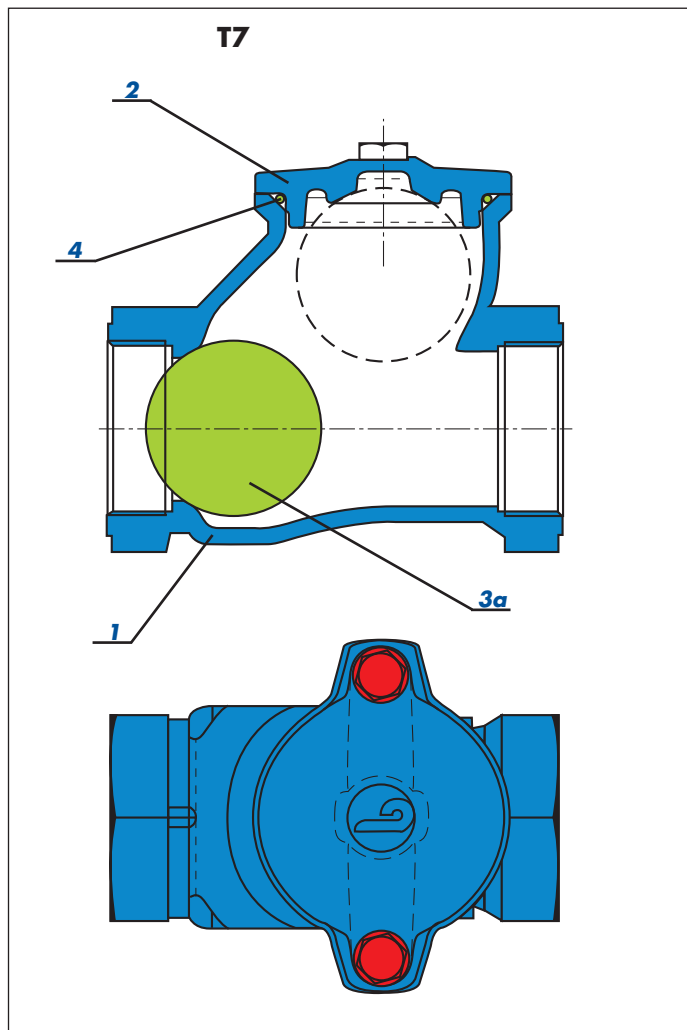
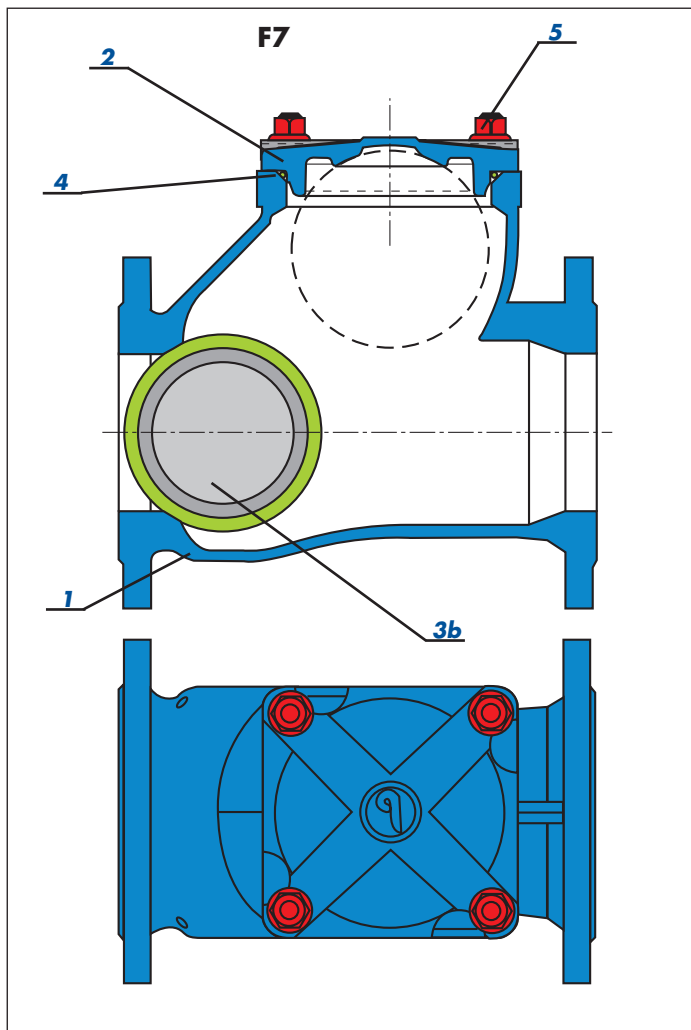
Data and specifications are only available as information. Brandoni S.p.A. reserves the right to modify one or more valve specifications without warning.

DT085  
P.C.Y6/12-2005/GB

# Construction details

## Ball check valve

**Serie F7 - Flanged**  
**Serie T7 - Threaded**



		F7.000	F7.100	T7.000	T7.100
<b>N°</b>	<b>Den.</b>	<b>Q.tà</b>			
1	Body	1	GG25 Cast iron	GGG40 Cast iron	GG25 Cast iron
2	Cover	1	GGG40 Cast iron	GGG40 Cast iron	GGG40 Cast iron
3a	Ball DN20 - 40	1			Full NBR rubber
3b	Ball DN50 - 400	1	Metal NBR covered	Metal NBR covered	Resin
4	O-Ring	1	NBR	NBR	NBR
5	Stud bolt + flanged nut	24	AISI 304	AISI 304	AISI 304