

Principle Applications

For continuous transfer/recirculation of aggressive chemicals, chilled water, pure or precious liquids, in photographic, reprographic, X-Ray and industrial processing equipment, particularly where space is limited.

Wetted Materials

Standard EPDM 'O' ring, optional Nitrile or Viton®
 PP encapsulated magnet
 Alumina ceramic spindle
 PP pump housing
 PPS option available

Features

Manufactured in chemical resistant thermoplastics - entirely non-metallic
 Magnetic couplings provide an energy efficient thermal shield, minimizing heat transfer to pumped fluids.
 Leak free continuous operation
 Drip-proof IP22 motor housing
 Zero maintenance

Options

NDP35/3

230V 1ph 50/60Hz
 230V 1ph 50/60Hz

Port Details

Plain 22 mm
 1/2" BSP M

NDP35/3

110V 1ph 50/60Hz
 110V 1ph 50/60Hz

Port Details

Plain 22 mm
 1/2" BSP M



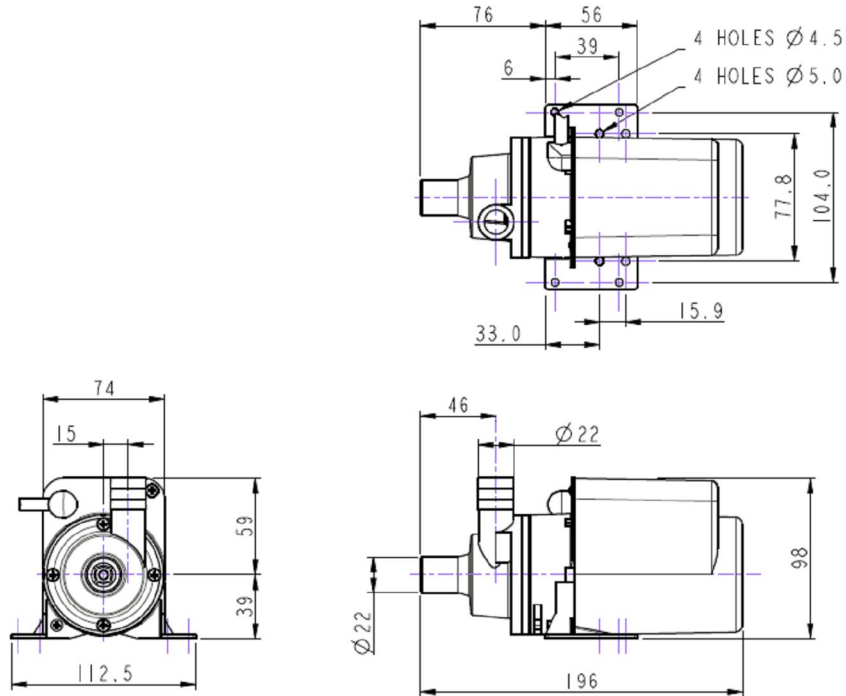
Engineered for life



Installation

Drawings not to scale
 Dimensions in millimetres

NDP35/3



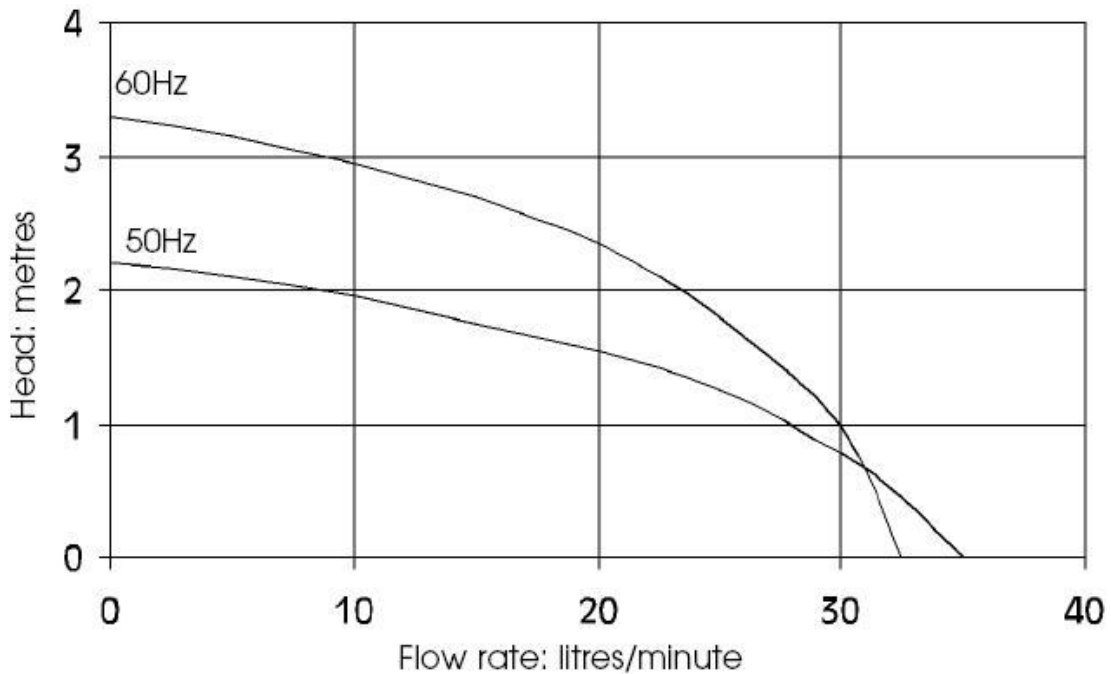
Specification

Model	Overall height (mm)	Overall length (mm)	Overall width (mm)	Weight (kg)	Max body pressure (bar)	Run-out flow rate (l/min)	Closed valve head (m)	Temp range (degC)	*Max specific gravity	Motor output (watts)
NDP35/3	98	196	112.5	2.3	1.4	50 Hz 35	2.2	-20 to +85	1.0	18
						60 Hz 33	3.3			

*Assuming maximum viscosity of 30cp. Refer to Totton Pumps for higher viscosities and specific gravities

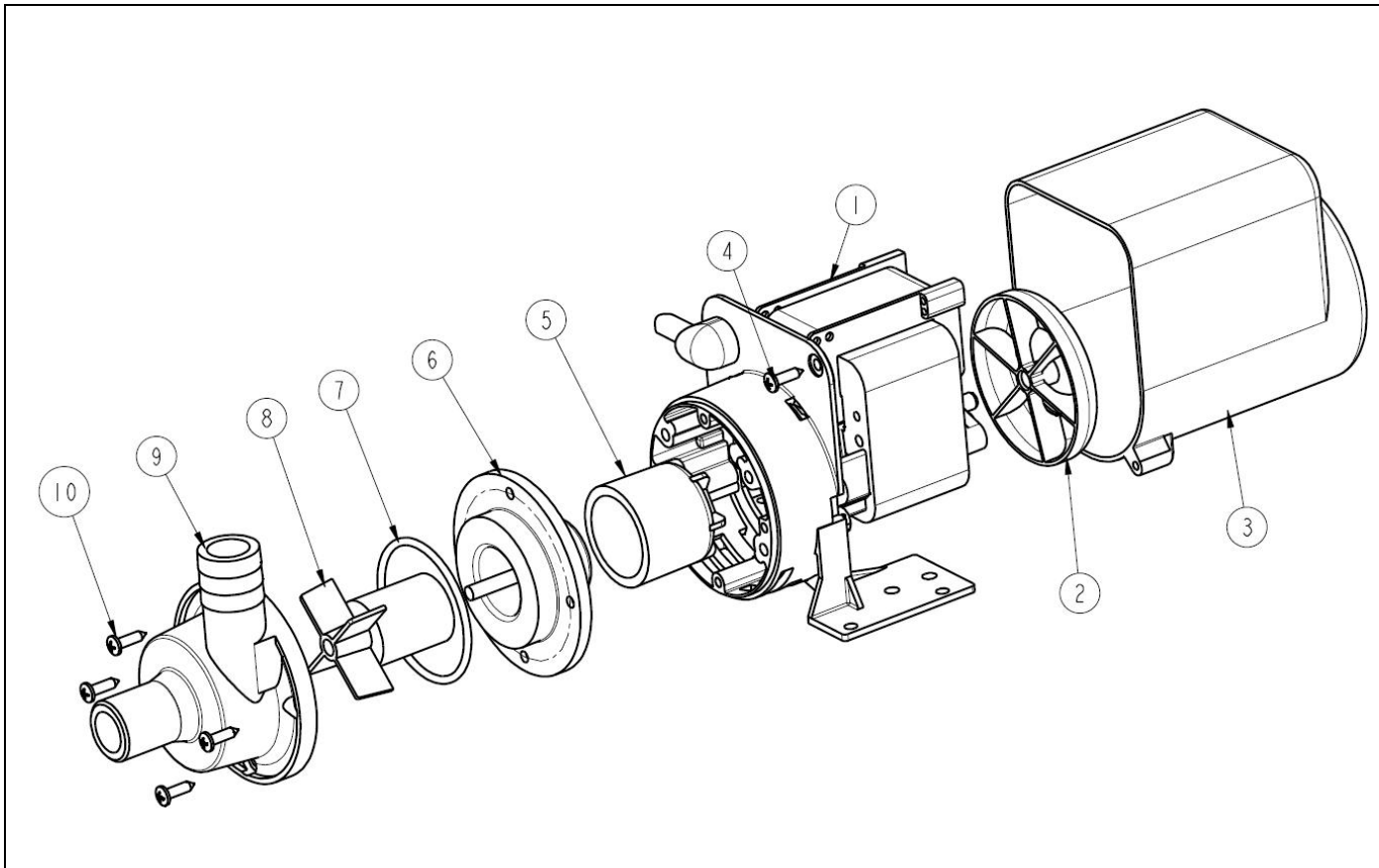
Performance

Performance Tested with clean cold water @ 20° c



Note: These magnetically coupled pumps are designed for use with clean fluids. Solids will cause jamming. Abrasives will reduce pump life and invalidate warranty. NDP pumps are not self priming and are not designed to run dry. The company reserves the right change specifications.

Part List



Item Number	Description	Quantity	Part Number		
1	Motor	1	-		
2	Fan	1	033322		
3	Motor Cover	1	043335		
4	Screw	2	001739		
5	Drive Magnet	1	023267		
6	Spindle Housing	1	003271		
7	O-ring	1	013291 (EPDM)	003265 (Viton)	003224 (Nitrile)
8	Impeller	1	013341		
9	Pump Body	1	013333 (plain)	013334 (PP threaded)	033225 (PPS threaded)
10	Screw	6	001095		

Totton Pumps Ltd.
 Tel: +44 (0) 23 8066 6685
 Fax: +44 (0) 23 8066 6880
 Email: info@totton-pumps.com
 Web: www.totton-pumps.co.uk