

Principal Applications

For heavy duty applications requiring safe, leak-free, continuous flow of aggressive chemicals, acids, solvents, alkalis, sterile and chilled fluids.

Wetted Materials

Standard EPDM O Ring, optional Viton
PP encapsulated magnet, PVDF optional
PP pump housing, PPS optional
PPS spindle housing
Alumina ceramic spindle & thrust washers

Features

Manufactured in chemical resistant thermo-plastics – entirely non-metallic
Magnetic couplings provide an energy efficient thermal shield,
minimising heat transfer to the pumped fluids
IP55 standard motor housing
EEXD and high SG versions available

NEMP160/9

230V 1Ph 50Hz

415V 3Ph 50Hz

110/120V 50/60 Hz versions available

Port Details

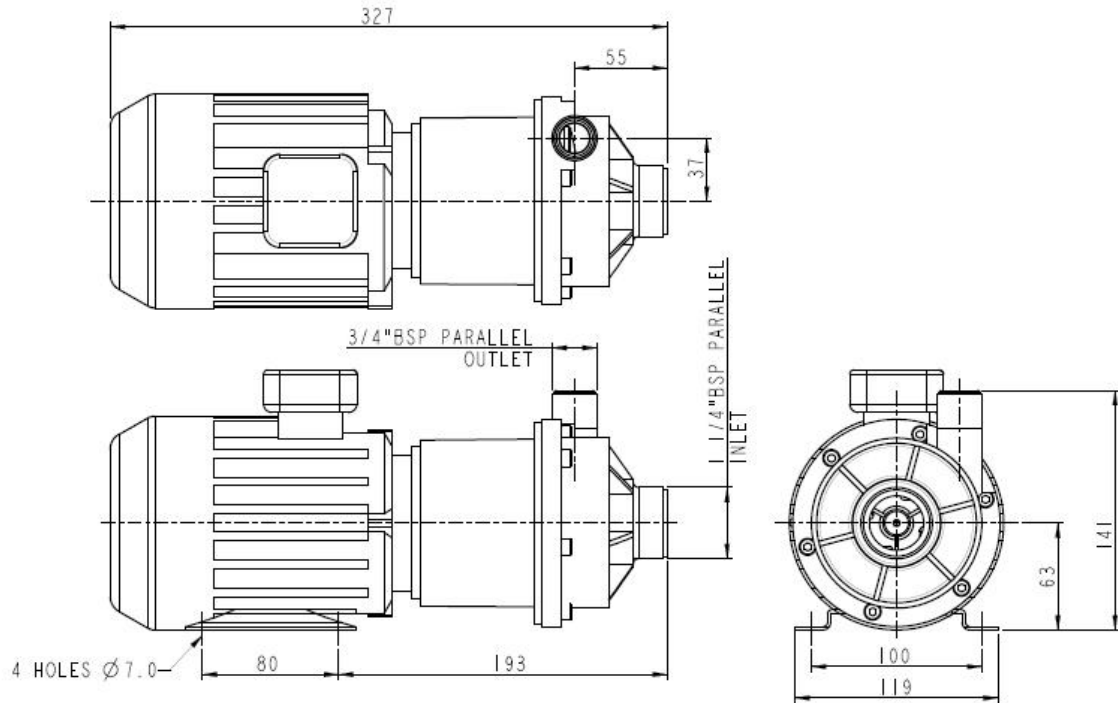
1 ¼" BSP M inlet ¾" BSP M outlet

1 ¼" BSP M inlet ¾" BSP M outlet

Installation

Drawings not to scale
 Dimensions in millimetres

NEMP160/9

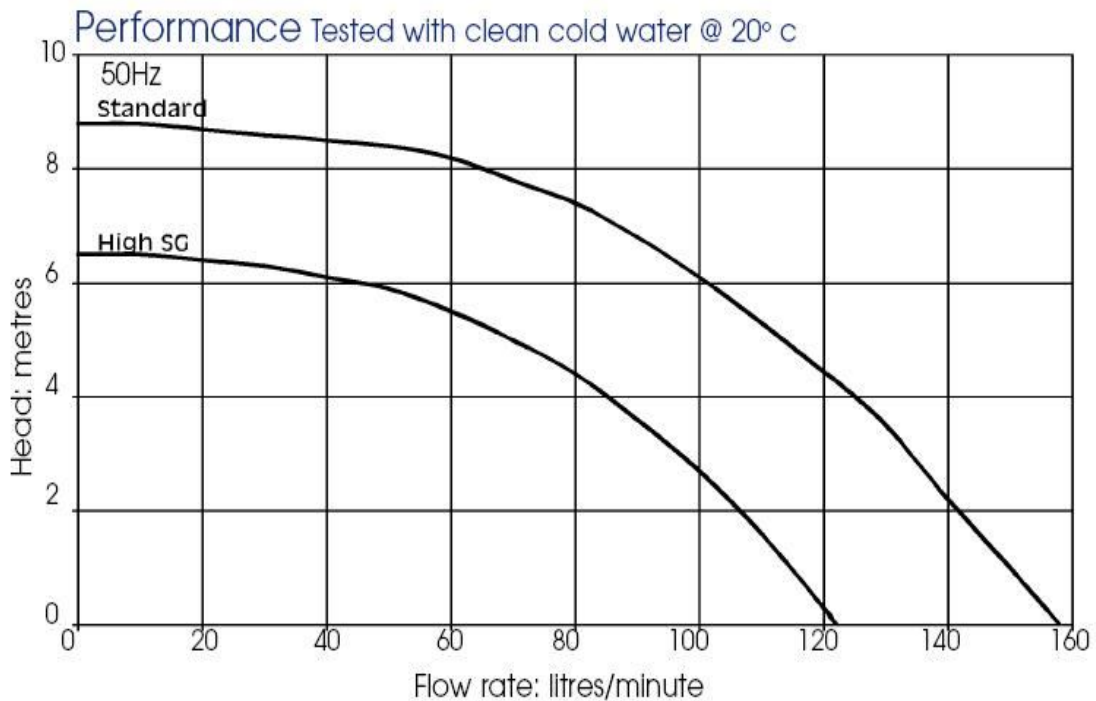


Specification

Model	Overall height (mm)	Overall length (mm)	Overall width (mm)	Weight (kg)	Max body pressure (bar)	Run-out flow rate (l/min)	Closed valve head (m)	Temp range (degC)	*Max specific gravity	Motor output (watts)
NEMP160/9	141	327	119	5.6	1.7	158	8.8	-20 to +85	1.2	180 (1Ph) 250 (3Ph)

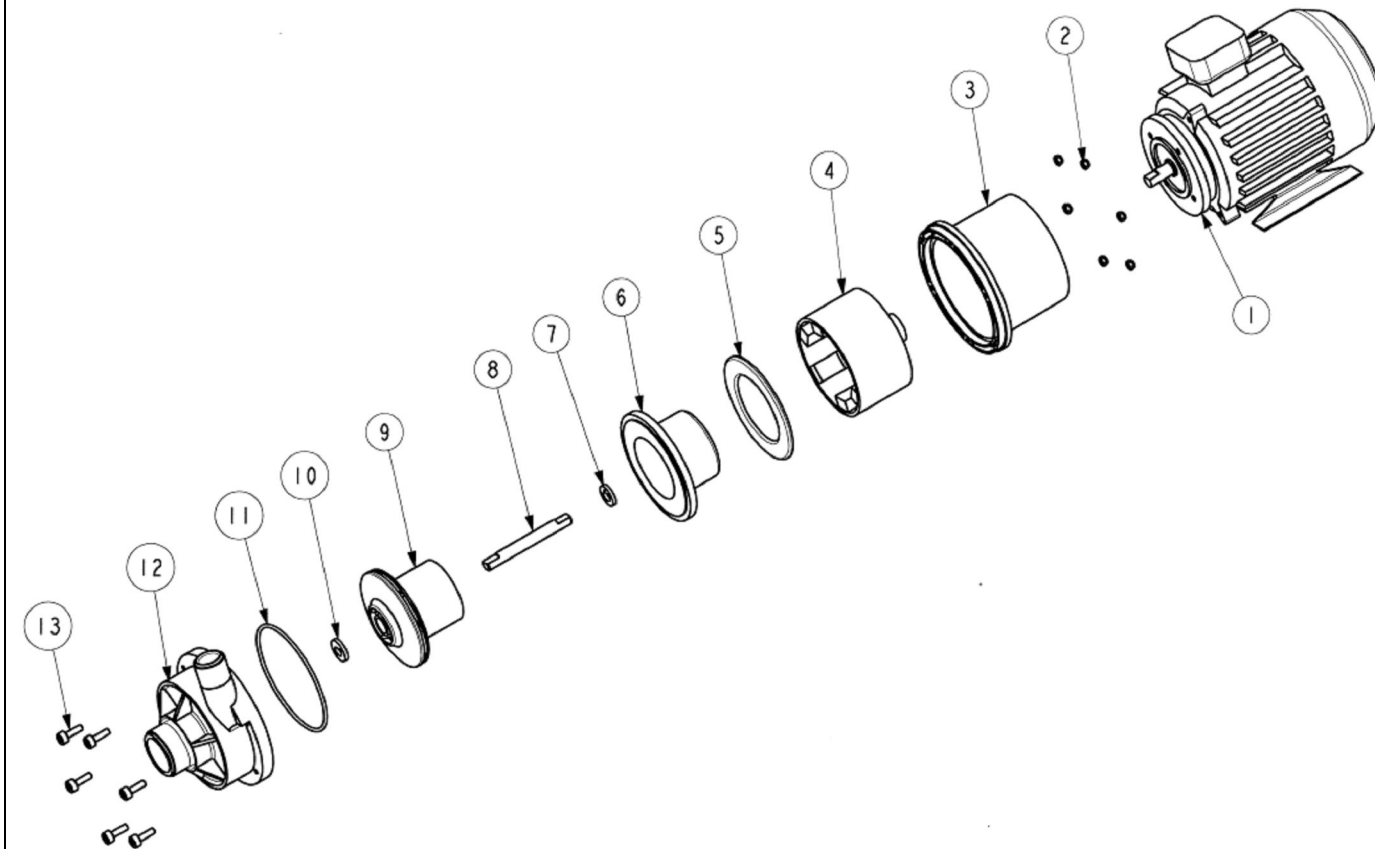
*Assuming maximum viscosity of 30cp. Refer to Totton Pumps for higher viscosities and specific gravities

Performance



NOTE: These magnetically coupled pumps are designed for use with clean fluids. Solids will cause jamming. Abrasives will reduce pump life & invalidate the warranty.
 NEMP pumps are not self priming & are not designed to run dry
 The company reserves the right to change specifications

Part List



Item Number	Description	Quantity	Part Number			
			008857 (110V 1Ph 50Hz)	008843 (110V 1 Ph 60Hz)	008823 (230V 1 Ph 50/60Hz)	008824 (400V 3 Ph 50Hz/60Hz)
1	Motor	1				
2	Nut	6	032105			
3	Adaptor	1	018368			
4	Drive Magnet	1	008624			
5	Support Plate	1	008295			
6	Spindle Housing	1	018316 (PPS)	008302 (PVDF)	028321 (PP)	
7	D Washer	1	008298			
8	Spindle	1	008297			
9	Impeller	1	038604 (PP 50Hz)		018669 (PP 60Hz and High SG)	
			018631 (PVDF 50Hz)		018670 PVDF 60Hz and High SG)	
10	D Washer	1	008298			
11	O Ring	1	008276 (EPDM)		008217 (Viton)	
12	Pump Body	1	018382 (PP)		008308 (PVDF)	
13	Screw	6	022115			

Totton Pumps Ltd.

Tel: +44 (0)23 8066 6685

Fax: +44 (0)23 8066 6880

Email: info@totton-pumps.com

Web: www.totton-pumps.co.uk