

### Principal Applications

For applications requiring safe, leak-free, continuous flow of aggressive chemicals, acids, alkalis, solvents, sterile and chilled fluids.

### Wetted Materials

Standard EPDM O Ring, optional Nitrile or Viton  
PP encapsulated magnet, PVDF optional  
PP pump housing, PPS & PVDF optional  
PPS spindle housing, PVDF optional  
Alumina ceramic spindle

All PPS versions available for high temperature/pressure applications

### Features

Manufactured in chemical resistant thermo-plastics – entirely non-metallic  
Magnetic couplings provide an energy efficient thermal shield,  
minimising heat transfer to the pumped fluid  
IP55 motor standard

#### NEMP60/6

415V 3Ph 50Hz  
415V 3Ph 50Hz

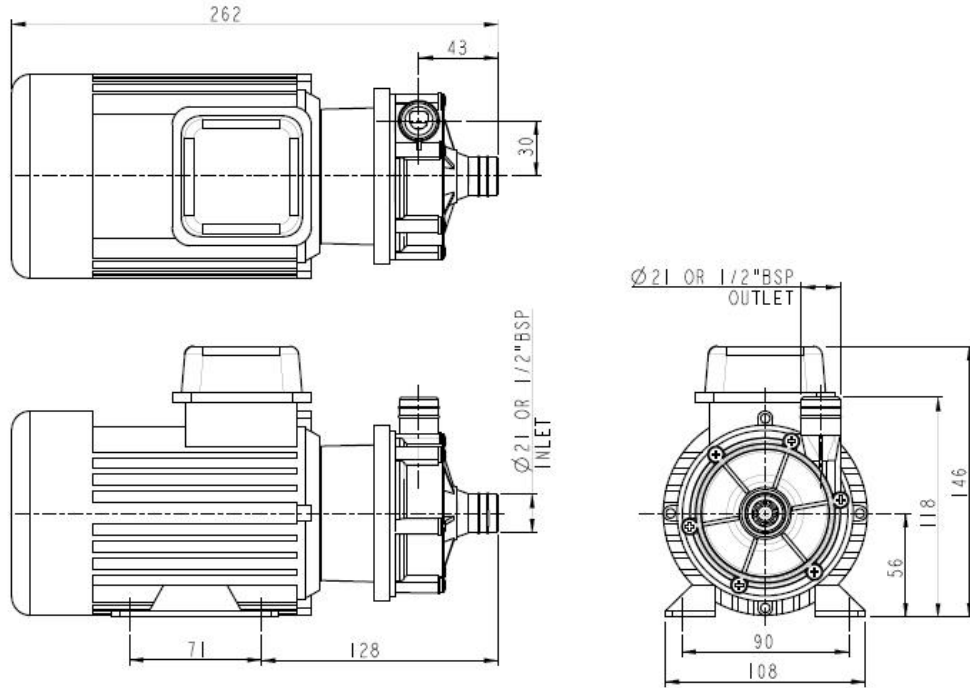
#### Port Details

Plain 21mm  
1/2"bsp Male

**Installation**

Drawings not to scale  
 Dimensions in millimetres

**NEMP60/6**



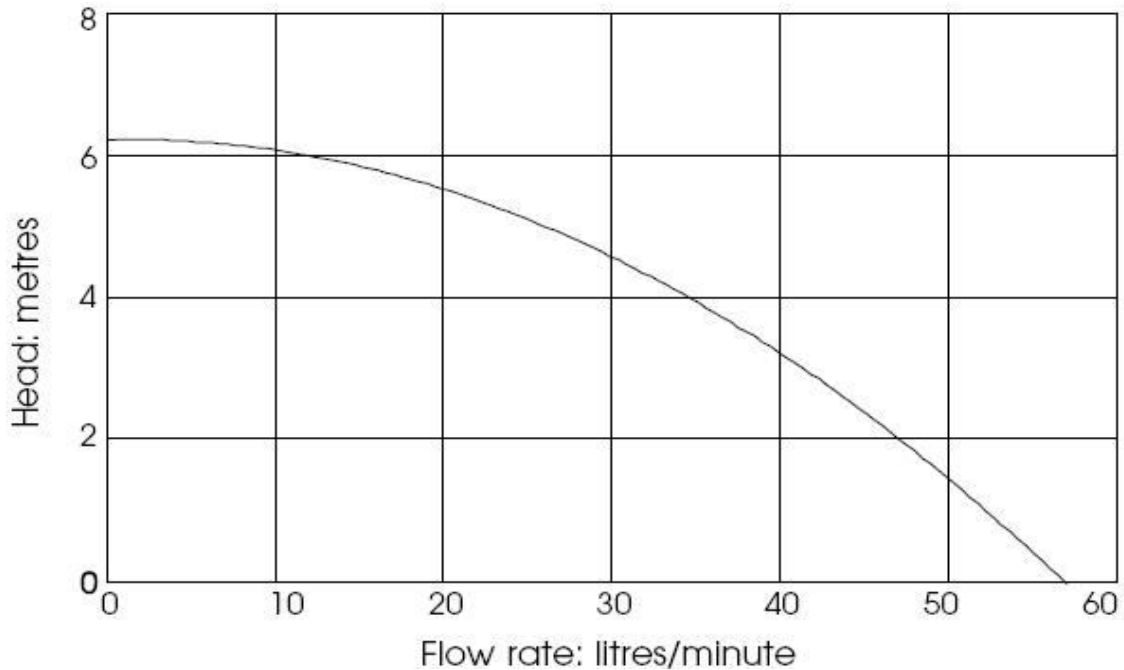
**Specification**

Model	Overall height (mm)	Overall length (mm)	Overall width (mm)	Weight (kg)	Max body pressure (bar)	Run-out flow rate (l/min)	Closed valve head (m)	Temp range (degC)	*Max specific gravity	Motor output (watts)
NEMP60/6	146	262	108	4.0	1.4	57	6.2	-20 to +85	1.2	90

\*Assuming maximum viscosity of 30cp. Refer to Totton Pumps for higher viscosities and specific gravities

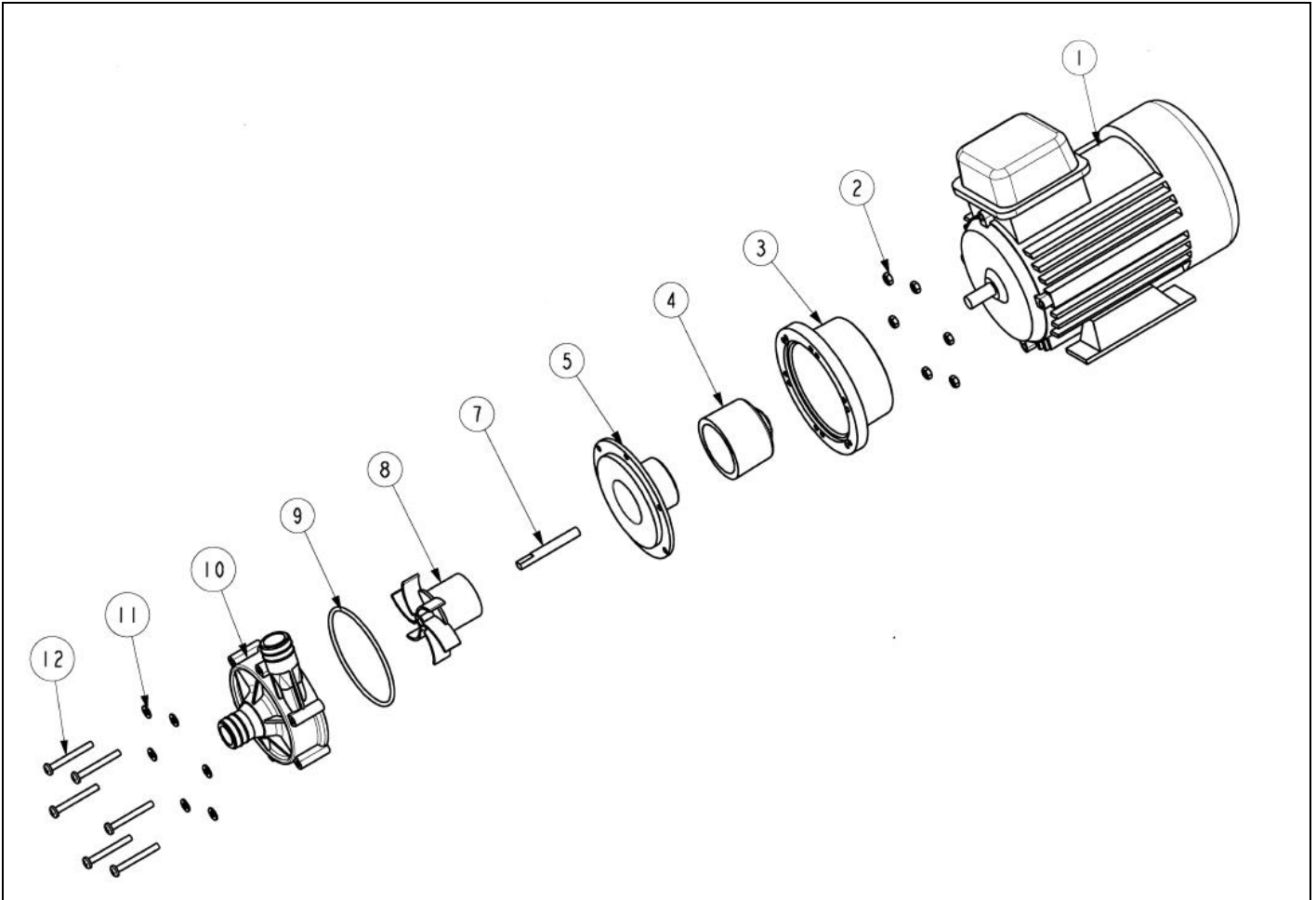
**Performance**

Performance Tested with clean cold water @ 20° c



**NOTE:** These magnetically coupled pumps are designed for use with clean fluids. Solids will cause jamming. Abrasives will reduce pump life & invalidate the warranty. NEMP pumps are not self priming & are not designed to run dry. The company reserves the right to change specifications

**Part List**



Item Number	Description	Quantity	Part Number			
1	Motor	1	008822			
2	Nut	6	032105			
3	Adaptor	1	002053			
4	Drive Magnet	1	016541			
5	Spindle Housing	1	016311			
7	Shaft	1	006244			
8	Impeller	1	016355			
9	O ring	1	013290(EPDM)	021056(Viton)	003398(Nitrile)	
10	Pump Body	1	016358 (plain port PP)	016366 plain port PPS	016360 (threaded port PP)	016368 (plain port PPS)
11	Washer	6	012020			
12	Screw	6	022115			

**Totton Pumps Ltd.**

Tel: +44 (0)23 8066 6685

Fax: +44 (0)23 8066 6880

Email: [info@totton-pumps.com](mailto:info@totton-pumps.com)

Web: [www.totton-pumps.co.uk](http://www.totton-pumps.co.uk)