

Principal Applications

For applications requiring safe, leak-free, continuous flow of aggressive chemicals, acids, solvents, alkalis, sterile and chilled fluids.

Wetted Materials

Standard EPDM O Ring, optional Nitrile or Viton
 PP encapsulated magnet, PVDF optional
 PP pump housing, PVDF optional
 PPS spindle housing, PVDF optional
 Alumina ceramic spindle

All PPS version available for high temperature/pressure applications

Features

Manufactured in chemical resistant thermo-plastics – entirely non-metallic
 Magnetic couplings provide an energy efficient thermal shield,
 minimising heat transfer to the pumped fluid
 IPX5 standard motor housing
 Deep groove ball bearings

NEMP80/6

230V 1Ph 50Hz
 230V 1Ph 50Hz
 230V 1Ph 60Hz
 230V 1Ph 60Hz

Port Details

Plain 26 mm
 3/4"bsp Male
 Plain 26 mm
 3/4"bsp Male

NEMP80/6

110V 1Ph 50Hz
 110V 1Ph 50Hz
 110V 1Ph 60Hz
 110V 1Ph 60Hz

Port Details

Plain 26 mm
 3/4"bsp Male
 Plain 26 mm
 3/4"bsp Male



ITT

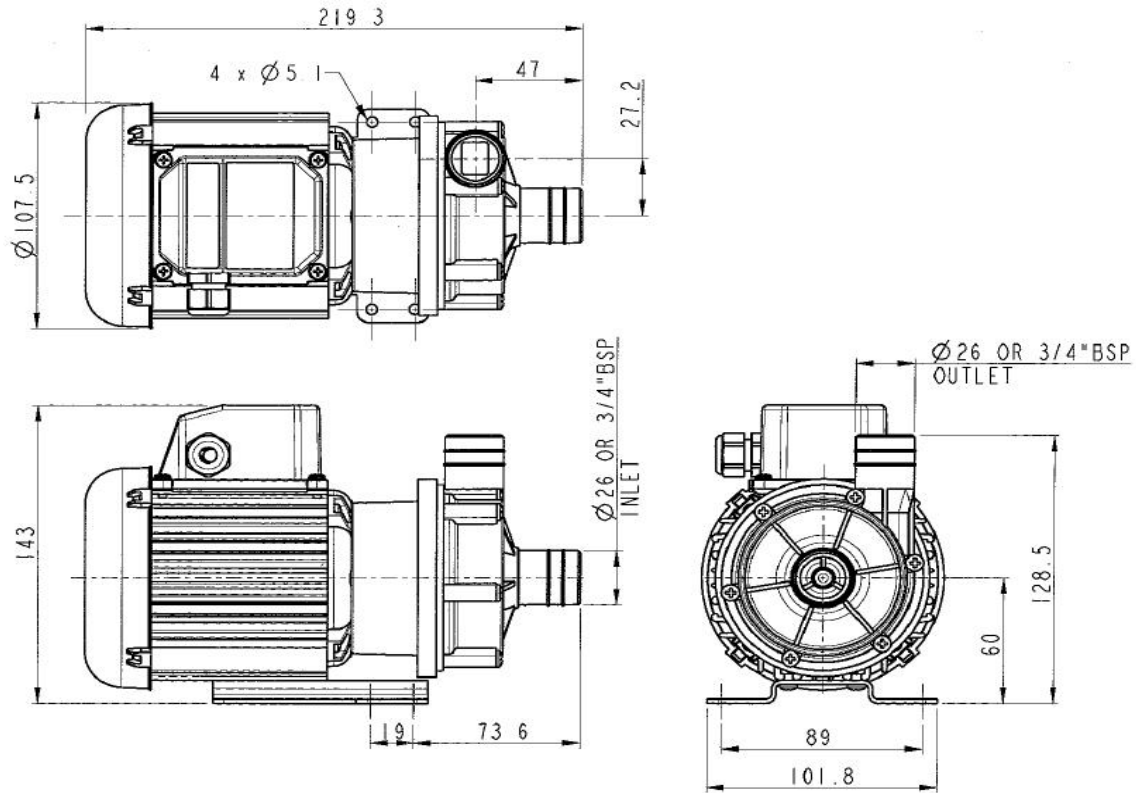
Engineered for life



Installation

Drawings not to scale
 Dimensions in millimetres

NEMP80/6

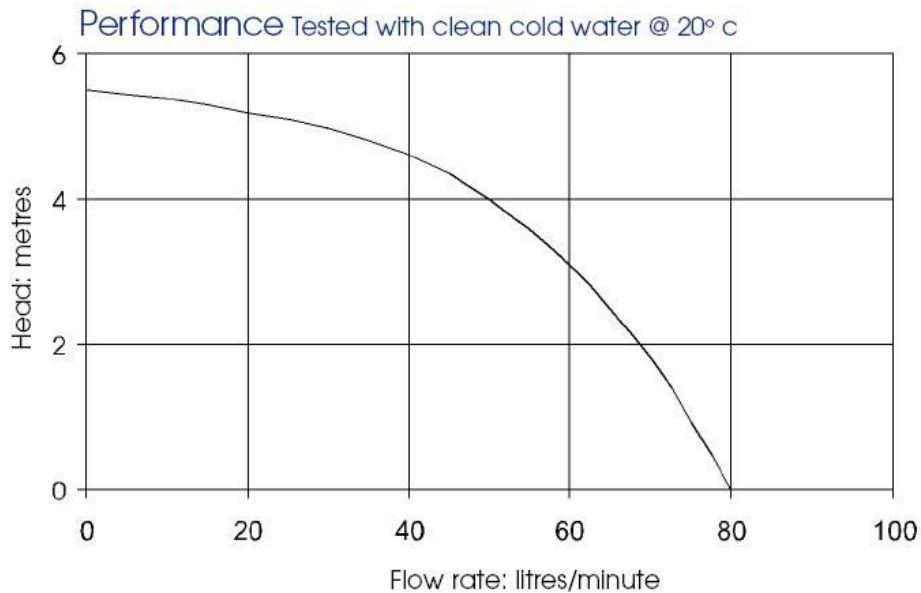


Specification

Model	Overall height (mm)	Overall length (mm)	Overall width (mm)	Weight (kg)	Max body pressure (bar)	Run-out flow rate (l/min)	Closed valve head (m)	Temp range (degC)	*Max specific gravity	Motor output (watts)
NEMP80/6	143	220	102	3.1	1.4	80	5.5	-20 to +85	1.2	60

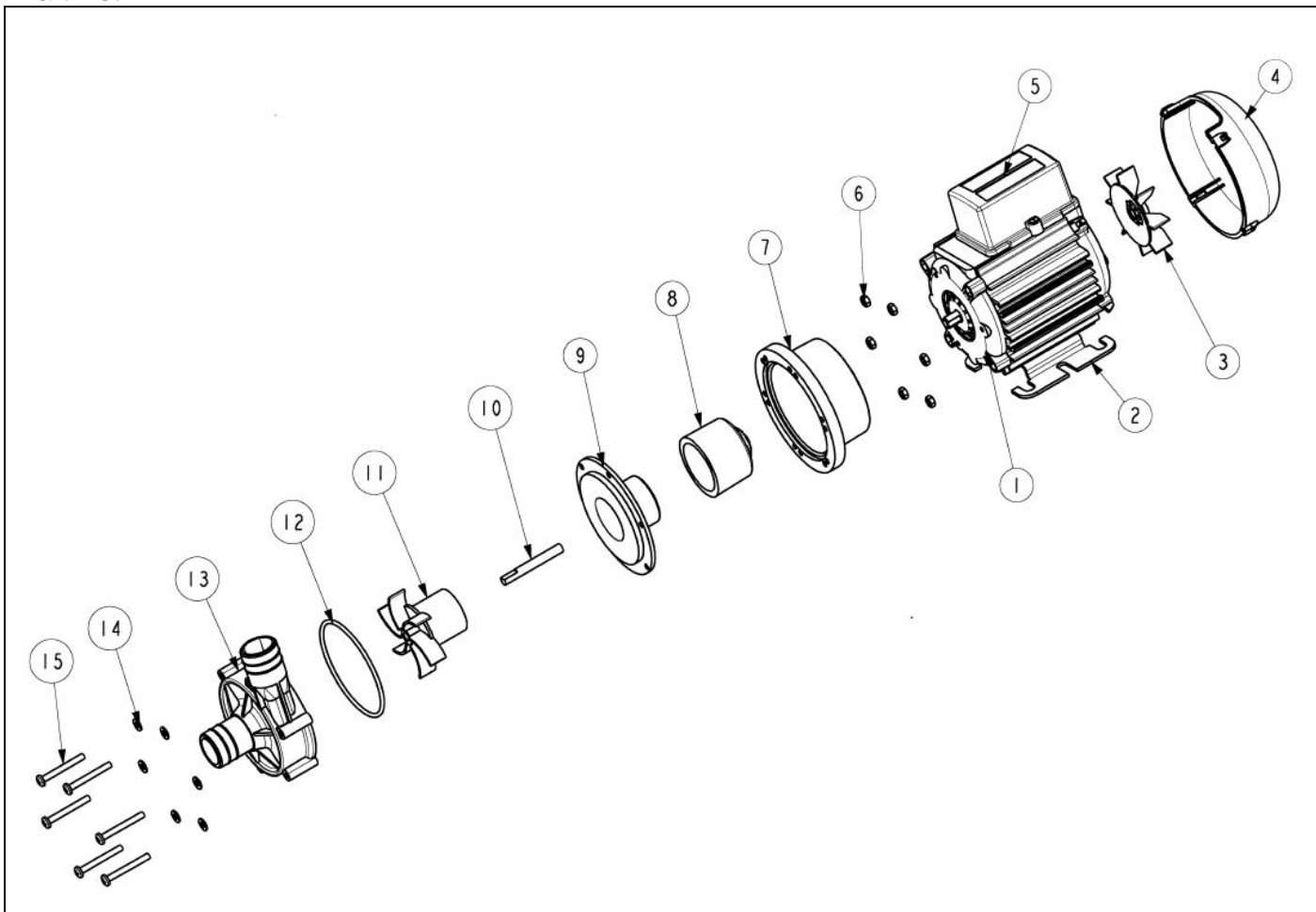
*Assuming maximum viscosity of 30cp. Refer to Totton Pumps for higher viscosities and specific gravities

Performance



NOTE: These magnetically coupled pumps are designed for use with clean fluids. Solids will cause jamming. Abrasives will reduce pump life & invalidate the warranty.
 NEMP pumps are not self priming & are not designed to run dry
 The company reserves the right to change specifications

Part List



Item Number	Description	Quantity	Part Number			
1	Motor	1	116842 (230 V)		116875 (110V)	
2	Mounting Foot	1	036329			
3	Fan	1	001577			
4	Fan Cowl	1	036085			
5	Terminal Box	1	036028			
6	Nut	6	032105			
7	Adaptor	1	036324			
8	Drive Magnet	1	016541			
9	Spindle Housing	1	016311			
10	Spindle	1	006244			
11	Impeller	1	016355 (50Hz)		026215 (60Hz)	
12	O ring	1	013290 (EPDM)	021056 (Viton)	003398 (Nitrile)	
13	Pump Body	1	016359 (plain port PP)	016367 (plain port PPS)	016361 (threaded port PP)	016369 (threaded port PPS)
14	Washer	6	001565			
15	Screw	6	022115			

Totton Pumps Ltd.

Tel: +44 (0)23 8066 6685

Fax: +44 (0)23 8066 6880

Email: info@totton-pumps.com

Web: www.totton-pumps.co.uk