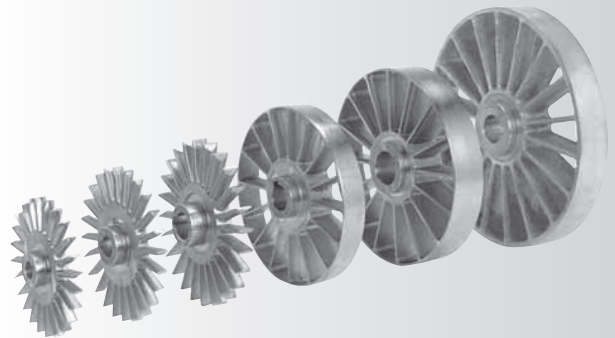
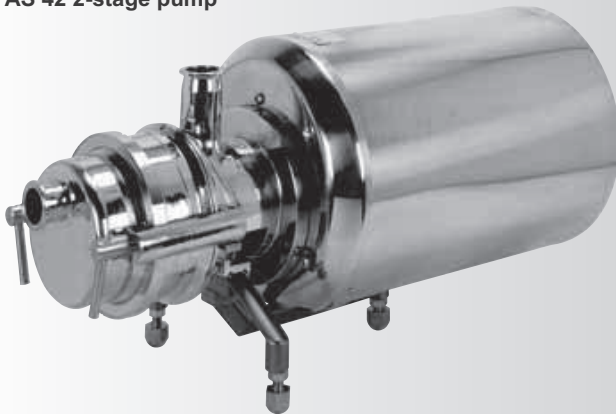


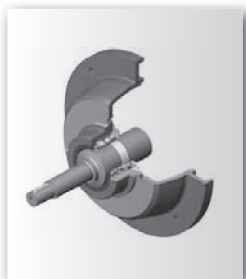
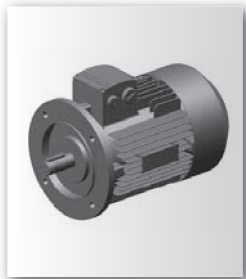
AS

משאבה סיטרית יניקה עצמית, מתאימות ליניקת נוזלים המכילים אוויר
 משאבה עם ציר ומנוע נפרדים (מצמד קשיח)
 חלקים רטובים CF-3M 1.4404 AISI 316L
ספיקות מקס': 70^{מ³}/H
עומד מקס': 4^{BAR}
מהירות סיבוב מנוע: 1450^{RPM}



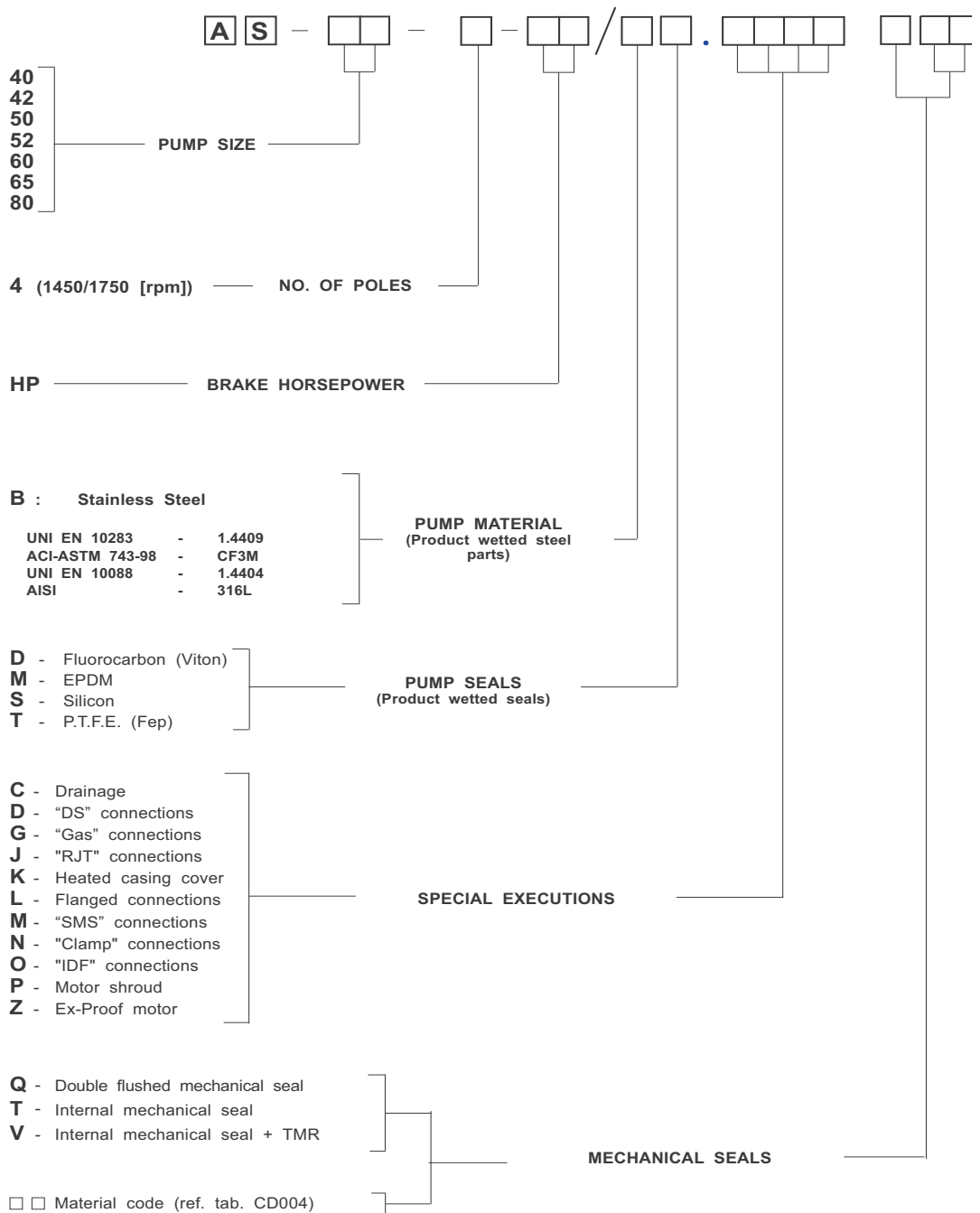
AS 42 2-stage pump





PUMP CODES GUIDE

AS



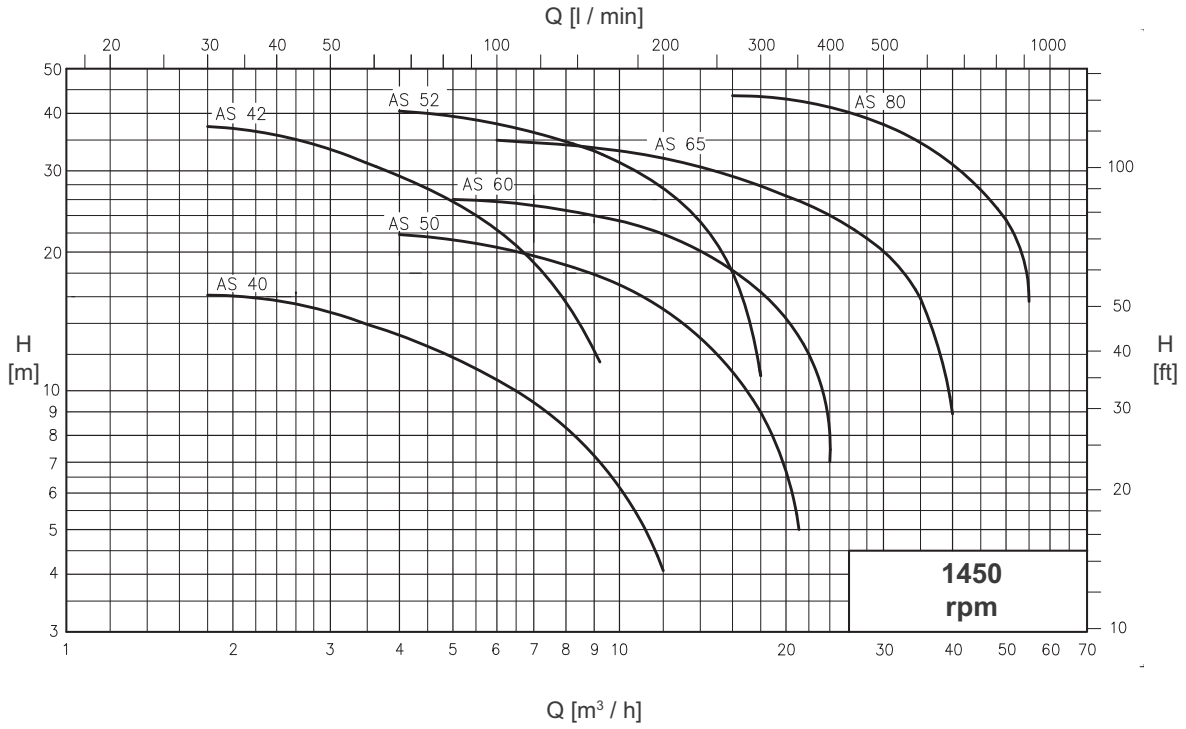
Example: **AS 50-4-3 / B. PT31**



ש.א.ל.
צידוד טכני בע"מ

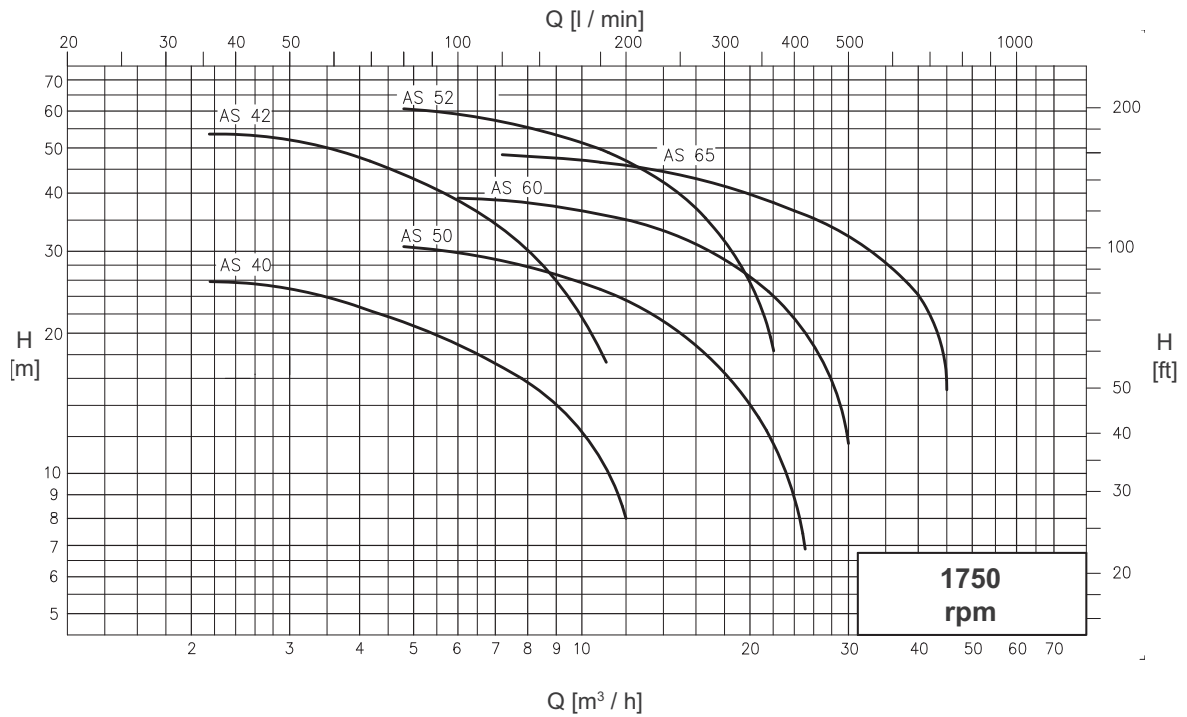
משאבות צנטריפוגליות סיטריות נירוסטה 316

www.csf.it 



Performance applies to H₂O at 20 °C, 1013 millibar

Data not binding

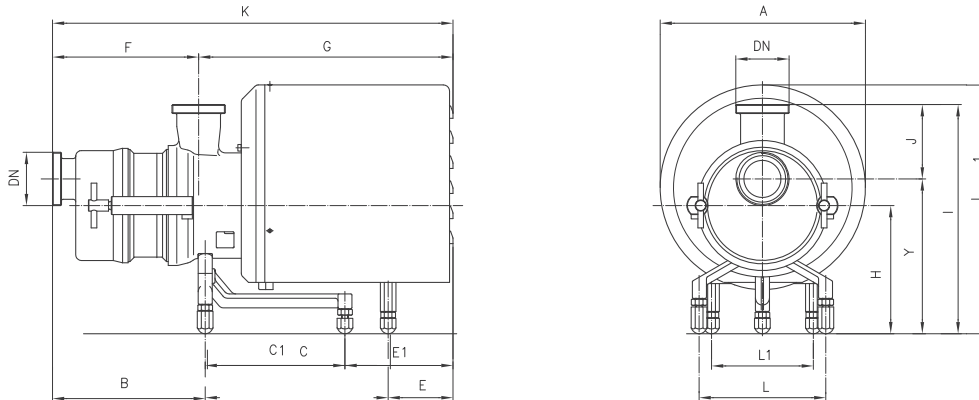


Performance applies to H₂O at 20 °C, 1013 millibar

Data not binding

SERIES **AS 42-52** WITH SHROUD 1450 rpm

OVERALL DIMENSIONS

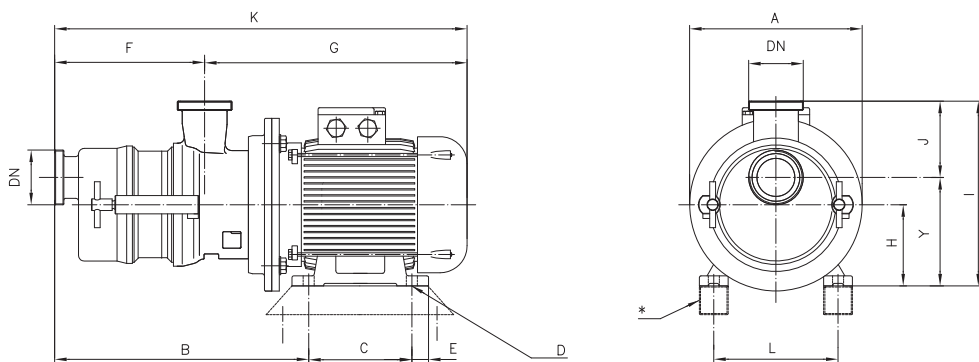


Dimensions not binding - DN = DIN 11851 male threaded connections with standard IEC/EN motors

| Pumps | 1450 rpm | kW | DN | A | B | C | C1 | E | E1 | F | G | K | H | J | I | I1 | Y | L | L1 | Weight kg |
|-------|----------|-----|-----|-----|-----|-----|-----|-----|-----|-----|-----|-----|-----|-----|-----|-----|-----|-----|----|-----------|
| AS 42 | | 2,2 | 40 | 298 | 220 | - | 231 | - | 203 | 205 | 520 | 725 | 190 | 110 | 335 | 354 | 225 | 225 | - | 56 |
| | 3 | 40 | 298 | 220 | - | 231 | - | 203 | 205 | 520 | 725 | 190 | 110 | 335 | 354 | 225 | 225 | - | 60 | |
| AS 52 | 5,5 | 50 | 370 | 258 | 292 | - | 267 | - | 237 | 580 | 817 | 230 | 115 | 381 | 417 | 266 | 225 | 115 | 85 | |

SERIES **AS 42-52** WITHOUT SHROUD 1450 rpm

OVERALL DIMENSIONS



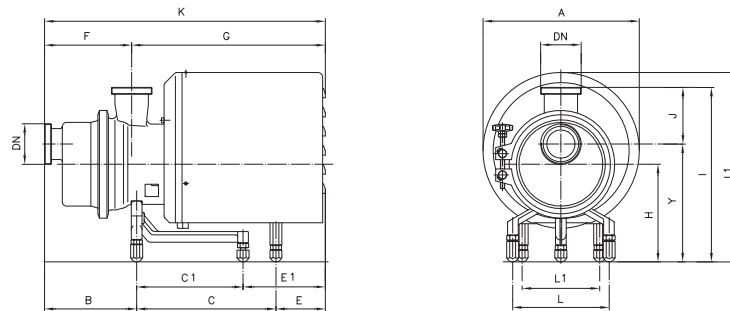
*Motor thicknesses upon request

Dimensions not binding - DN = DIN 11851 male threaded connections with standard IEC/EN motors

| Pumps | 1450 rpm | kW | DN | A | B | C | D | E | F | G | K | H | J | I | Y | L | M | N | O | Weight kg |
|-------|----------|-----|-----|-----|-----|-----|-----|-----|-----|-----|-----|-----|-----|-----|-----|-----|---|----|---|-----------|
| AS 42 | | 2,2 | 40 | 250 | 365 | 140 | 12 | 18 | 200 | 416 | 616 | 100 | 110 | 245 | 135 | 160 | - | - | - | 51 |
| | 3,4 | 250 | 365 | 140 | 12 | 18 | 200 | 416 | 616 | 100 | 110 | 245 | 135 | 160 | - | - | - | 55 | | |
| AS 52 | 5,550 | 300 | 454 | 140 | 12 | 20 | 237 | 502 | 739 | 132 | 115 | 283 | 168 | 216 | - | - | - | 77 | | |

Rev. 00

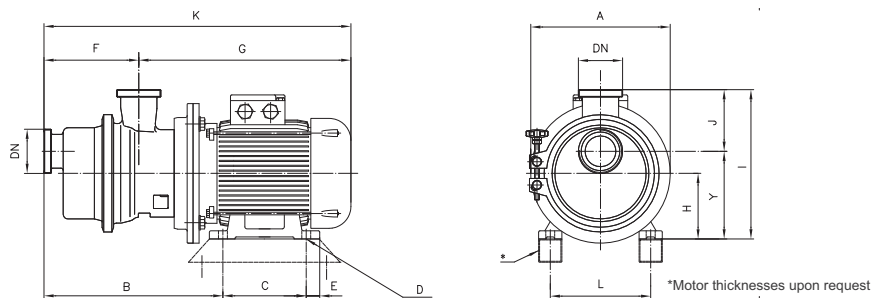
SERIES **AS 40-50-60-65-80** WITH SHROUD 1450 rpm OVERALL DIMENSIONS



Dimensions not binding - DN = DIN 11851 male threaded connections with standard IEC/EN motors

| Pumps | | kW | DN | A | B | C | C1 | E | E1 | F | G | K | H | J | I | I1 | Y | L | L1 | Weight kg |
|-------|----------|-----|----|-----|-----|-----|-----|-----|-----|-----|-----|------|-----|-----|-----|-----|-----|-----|-----|-----------|
| AS 40 | 1450 rpm | 1,1 | 40 | 238 | 168 | - | 190 | - | 222 | 143 | 438 | 581 | 160 | 110 | 305 | 297 | 195 | 178 | - | 29 |
| | | 1,5 | 40 | 238 | 168 | - | 190 | - | 222 | 143 | 438 | 581 | 160 | 110 | 305 | 297 | 195 | 178 | - | 31 |
| | | 2,2 | 40 | 298 | 169 | - | 301 | - | 179 | 143 | 506 | 649 | 190 | 110 | 335 | 354 | 225 | 225 | - | 45 |
| AS 50 | 1450 rpm | 2,2 | 50 | 298 | 196 | - | 301 | - | 186 | 175 | 509 | 684 | 230 | 115 | 364 | 377 | 249 | 225 | - | 50 |
| | | 4 | 50 | 298 | 196 | - | 301 | - | 186 | 175 | 509 | 684 | 230 | 115 | 364 | 377 | 249 | 225 | - | 59 |
| AS 60 | 1450 rpm | 4 | 65 | 370 | 216 | - | 301 | - | 187 | 205 | 499 | 704 | 230 | 135 | 392 | 429 | 257 | 225 | - | 62,5 |
| | | 5,5 | 65 | 370 | 226 | 324 | - | 226 | - | 225 | 551 | 776 | 230 | 135 | 408 | 445 | 273 | 225 | 115 | 75 |
| AS 65 | 1450 rpm | 5,5 | 65 | 370 | 226 | 324 | - | 226 | - | 225 | 551 | 776 | 230 | 135 | 408 | 445 | 273 | 225 | 115 | 76,5 |
| | | 7,5 | 65 | 370 | 226 | 324 | - | 226 | - | 225 | 551 | 776 | 230 | 135 | 408 | 445 | 273 | 225 | 115 | 82,5 |
| AS 80 | 1450 rpm | 11 | 80 | 360 | 267 | 485 | - | 347 | - | 248 | 861 | 1108 | 228 | 160 | 446 | 520 | 286 | 225 | 140 | 129 |
| | | 15 | 80 | 360 | 267 | 485 | - | 347 | - | 248 | 861 | 1109 | 228 | 160 | 446 | 520 | 286 | 225 | 140 | 140 |

SERIES **AS 40-50-60-65-80** WITHOUT SHROUD 1450 rpm OVERALL DIMENSIONS



Dimensions not binding - DN = DIN 11851 male threaded connections with standard IEC/EN motors

| Pumps | | kW | DN | A | B | C | D | E | F | G | K | H | J | I | Y | L | M | N | O | Weight kg |
|-------|----------|-----|----|-----|-----|-----|----|----|-----|-----|-----|-----|-----|-----|-----|-----|---|---|---|-----------|
| AS 40 | 1450 rpm | 1,1 | 40 | 200 | 296 | 100 | 9 | 22 | 143 | 380 | 523 | 90 | 110 | 235 | 125 | 140 | - | - | - | 26 |
| | | 1,5 | 40 | 200 | 296 | 125 | 9 | 22 | 143 | 380 | 523 | 90 | 110 | 235 | 125 | 140 | - | - | - | 28 |
| | | 2,2 | 40 | 250 | 308 | 140 | 12 | 18 | 143 | 416 | 559 | 100 | 110 | 245 | 135 | 160 | - | - | - | 41 |
| AS 50 | 1450 rpm | 2,2 | 50 | 250 | 343 | 140 | 12 | 18 | 175 | 419 | 594 | 100 | 115 | 251 | 136 | 160 | - | - | - | 45 |
| | | 4 | 50 | 250 | 351 | 140 | 12 | 18 | 175 | 441 | 616 | 112 | 115 | 263 | 148 | 190 | - | - | - | 54 |
| AS 60 | 1450 rpm | 4 | 65 | 250 | 372 | 140 | 12 | 20 | 205 | 431 | 636 | 112 | 135 | 292 | 157 | 190 | - | - | - | 57 |
| | | 5,5 | 65 | 300 | 412 | 140 | 12 | 20 | 204 | 492 | 696 | 132 | 135 | 312 | 177 | 216 | - | - | - | 68 |
| AS 65 | 1450 rpm | 5,5 | 65 | 300 | 412 | 140 | 12 | 20 | 204 | 492 | 696 | 132 | 135 | 312 | 177 | 216 | - | - | - | 69,5 |
| | | 7,5 | 65 | 300 | 423 | 178 | 12 | 20 | 215 | 492 | 707 | 132 | 135 | 312 | 177 | 216 | - | - | - | 76 |
| AS 80 | 1450 rpm | 11 | 80 | 350 | 555 | 210 | 14 | 23 | 248 | 677 | 925 | 160 | 160 | 378 | 218 | 254 | - | - | - | 118 |
| | | 15 | 80 | 350 | 555 | 254 | 14 | 23 | 248 | 677 | 925 | 160 | 160 | 378 | 218 | 254 | - | - | - | 129 |

Rev.00